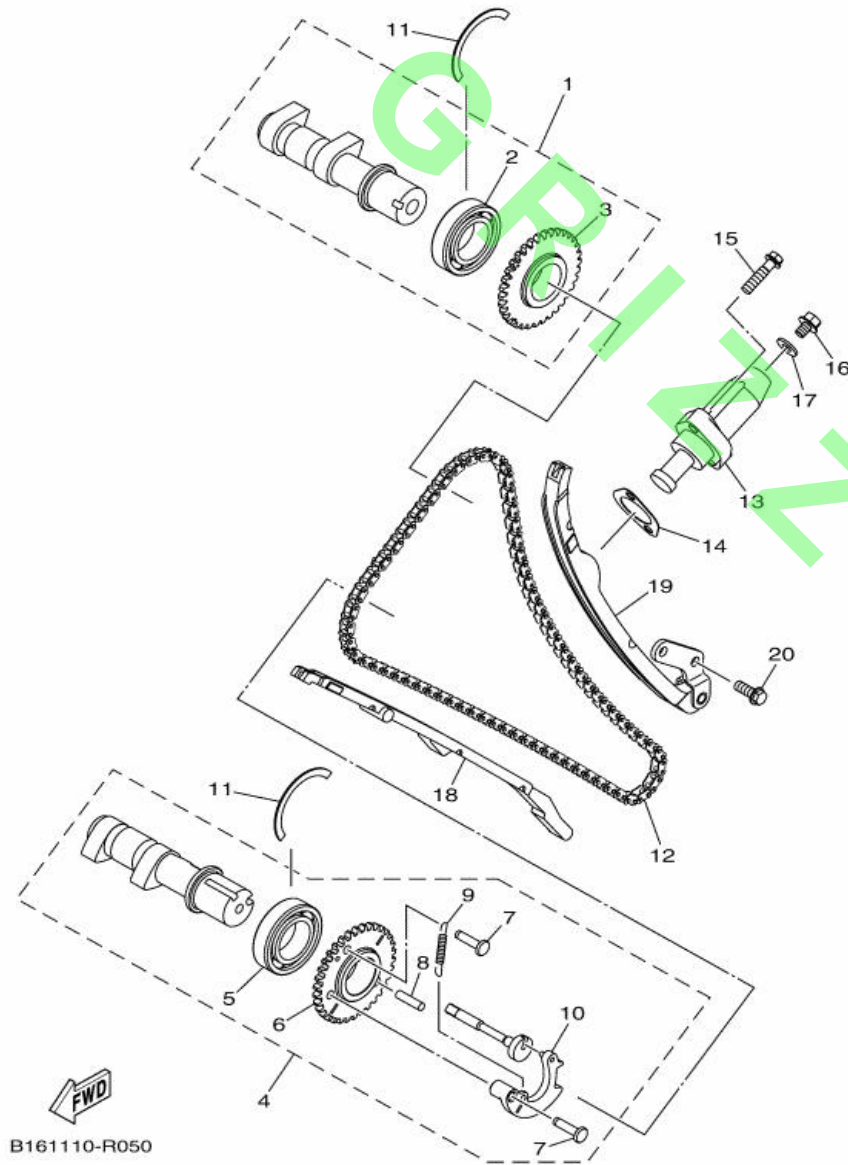
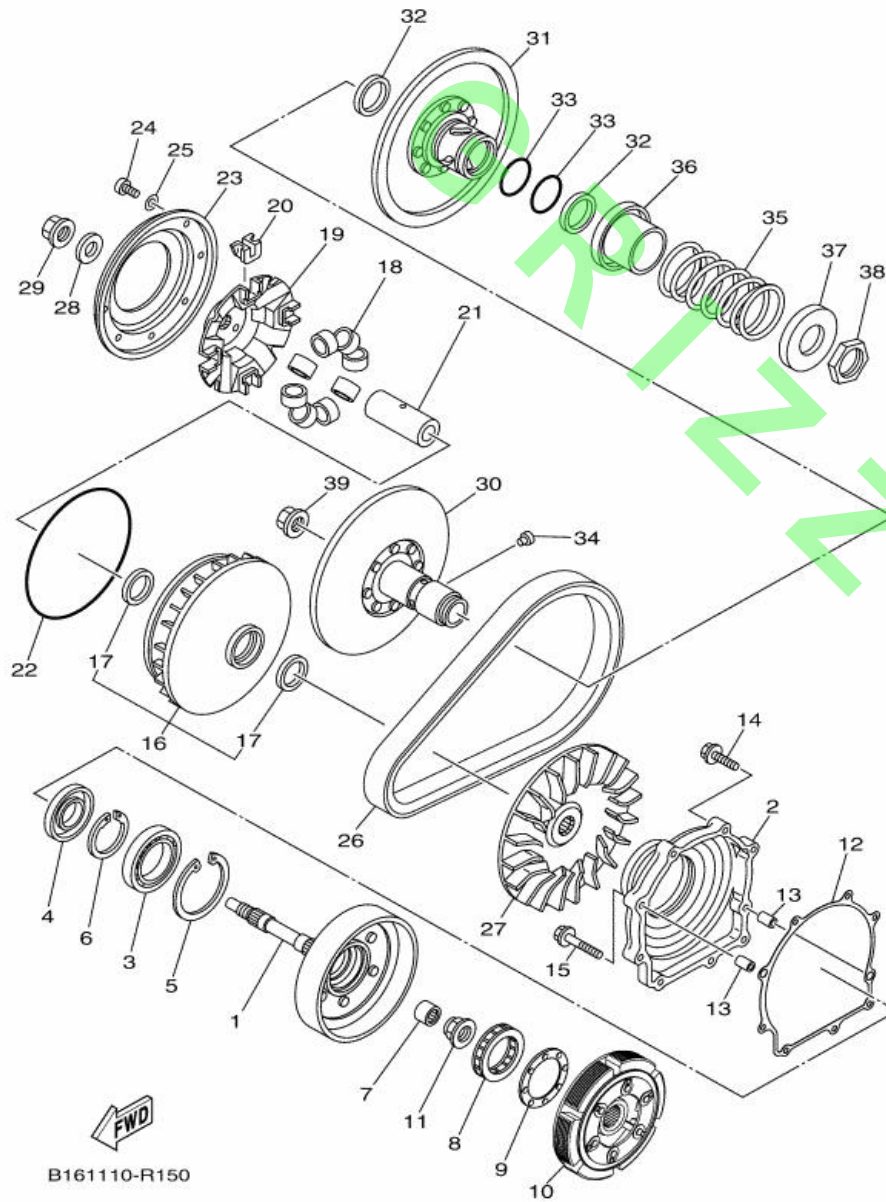


Fig. 05 CAMSHAFT & CHAIN



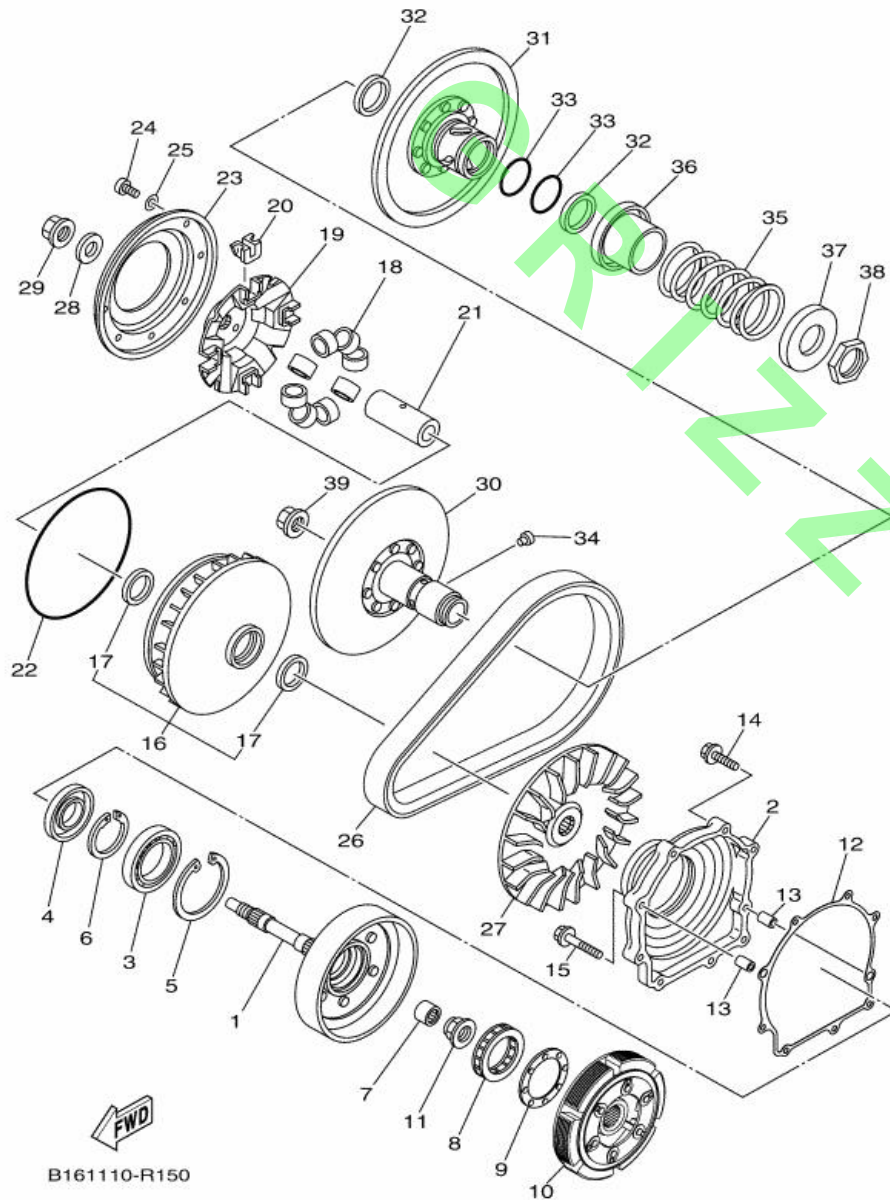
Ref. No.	Part No.	Description		Remarks
1	2MB-E2170-00	CAMSHAFT ASSY 1	1	
2	2MB-E2179-00	. BEARING, CAMSHAFT 1	1	
3	2MB-E2176-00	. SPROCKET, CAM CHAIN	1	
4	2MB-E2180-00	CAMSHAFT ASSY 2	1	
5	2MB-E2179-00	. BEARING, CAMSHAFT 1	1	
6	2MB-E2177-00	. SPROCKET, CAM CHAIN	1	
7	2MB-H431W-00	. PIVOT	2	
8	2MB-E2284-00	. PIN, DECOMPRESSION LEVER	1	
9	2MB-E2287-00	. SPRING, DECOMPRESSION	1	
10	2MB-E217A-00	. WEIGHT	1	
11	2MB-E2842-00	CIRCLIP	2	
12	2MB-E2190-00	CHAIN ASSY	1	
13	2MB-E2210-00	TENSIONER ASSY, CAM CHAIN	1	
14	2MB-E2213-00	GASKET, TENSIONER CASE	1	
15	2MB-E5481-20	BOLT 1	2	
16	2MB-E5481-00	BOLT 1	1	
17	2MB-E21E2-00	GASKET	1	
18	2MB-E2251-00	DAMPER, CHAIN 1	1	
19	2MB-E2252-00	DAMPER, CHAIN 2	1	
20	2MB-E5482-00	BOLT 2	2	

Fig. 15 CLUTCH



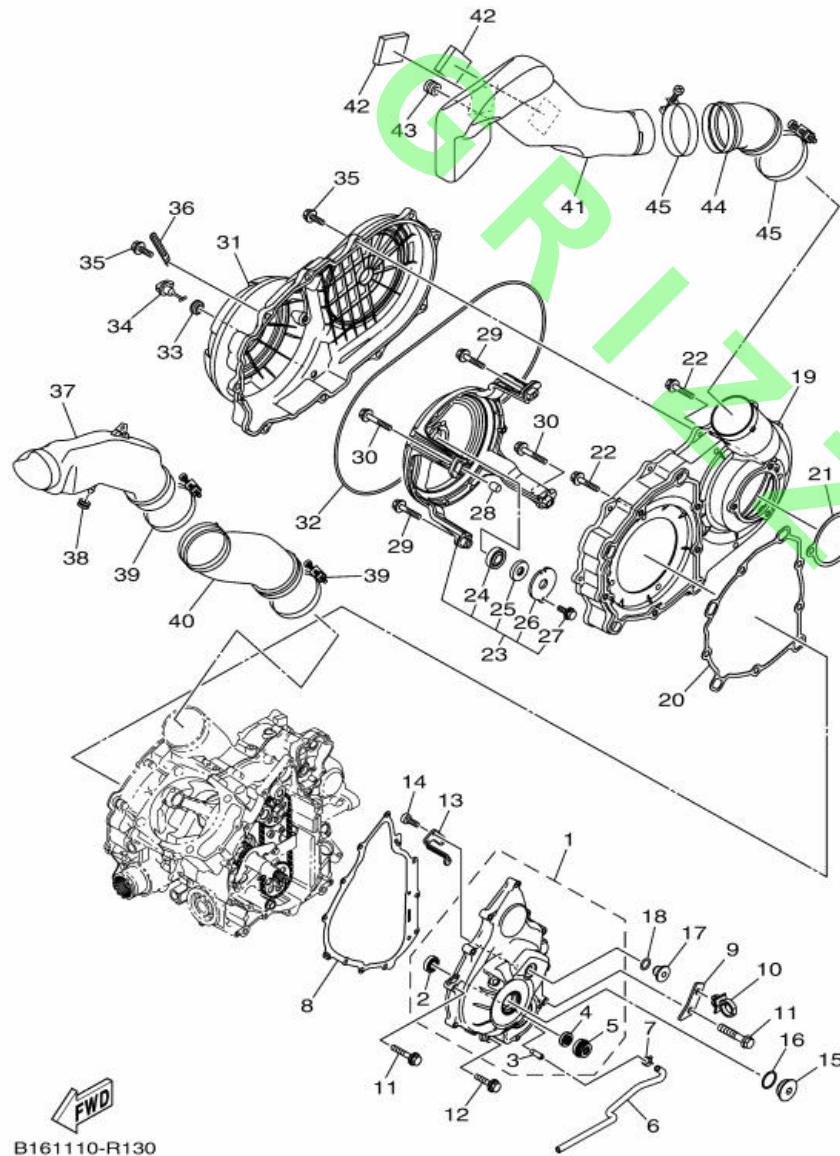
Ref. No.	Part No.	Description		Remarks
1	B16-E6611-00	CLUTCH HOUSING COMP.	1	
2	2MB-E5163-00	HOUSING, BEARING 1	1	
3	2MB-E6642-00	BEARING, CLUTCH AXLE	1	
4	2MB-E511B-00	OIL SEAL	1	
5	2MB-E6819-00	CIRCLIP, CLUTCH	1	
6	2MB-E5744-00	CIRCLIP	1	
7	2MB-E7678-00	BEARING	1	
8	2MB-E6664-00	BEARING, ONE WAY	1	
9	2MB-E6717-00	RING, SEAL	1	
10	2MB-E6620-00	CLUTCH CARRIER ASSY	1	
11	2MB-E6134-00	NUT, LOCK	1	
12	2MB-E5463-00	GASKET, 2	1	
13	2MB-E5181-00	PIN, DOWEL	2	
14	2MB-E5481-50	BOLT 1	7	
15	2MB-E5481-30	BOLT 1	2	
16	3B4-17606-00	PRIMARY SLIDING SHEAVE COMP.	1	
17	93101-35001	. OIL SEAL	2	
18	2UD-17632-00	WEIGHT	8	
19	3B4-17623-02	CAM	1	
20	3B4-17653-00	SLIDER	4	
21	3B4-17645-00	COLLAR	1	
22	93211-59001	O-RING	1	
23	4WV-17639-10	STOPPER	1	
24	90157-04006	SCREW, PAN HEAD	8	
25	90201-047R9	WASHER, PLATE	8	(M4 WASHER)
26	B16-E7641-00	V-BELT	1	
27	3B4-17611-00	SHEAVE, PRIMARY FIXED	1	

Fig. 15 CLUTCH



Ref. No.	Part No.	Description		Remarks
	28 2MB-E7648-00	WASHER	1	
	29 2MB-E7668-00	NUT	1	
	30 3B4-17660-10	SECONDARY FIXED SHEAVE COMP.	1	
	31 3B4-17670-10	SECONDARY SLIDING SHEAVE	1	
	32 93104-41119	OIL SEAL	2	
	33 93210-44545	O-RING	2	
	34 4CW-17664-00	PIN, GUIDE	4	
	35 90501-650A0	SPRING, COMPRESSION	1	
	36 4WV-17684-00	SEAT, SECONDARY SPRING	1	
	37 4WV-17644-00	SEAT, SPRING	1	
	38 90170-36279	NUT	1	
	39 2MB-E7668-00	NUT	1	

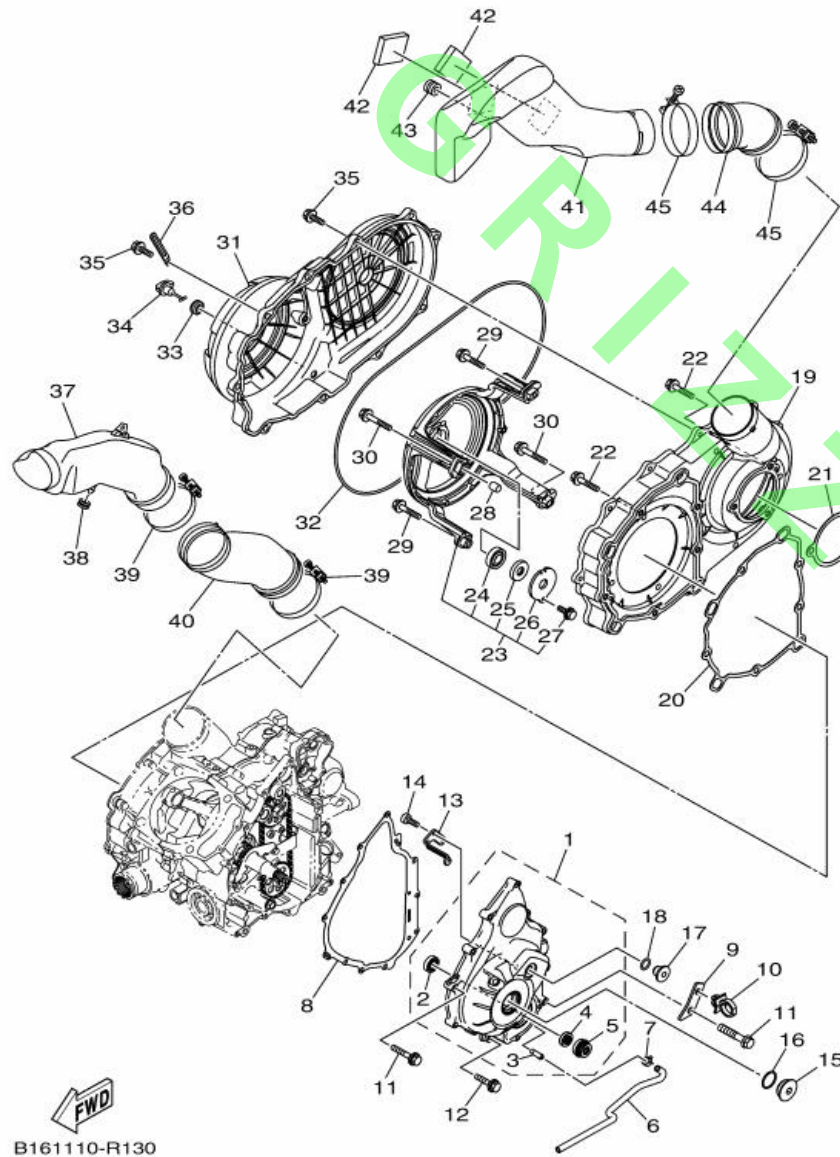
Fig. 13 CRANKCASE COVER 1



B161110-R130

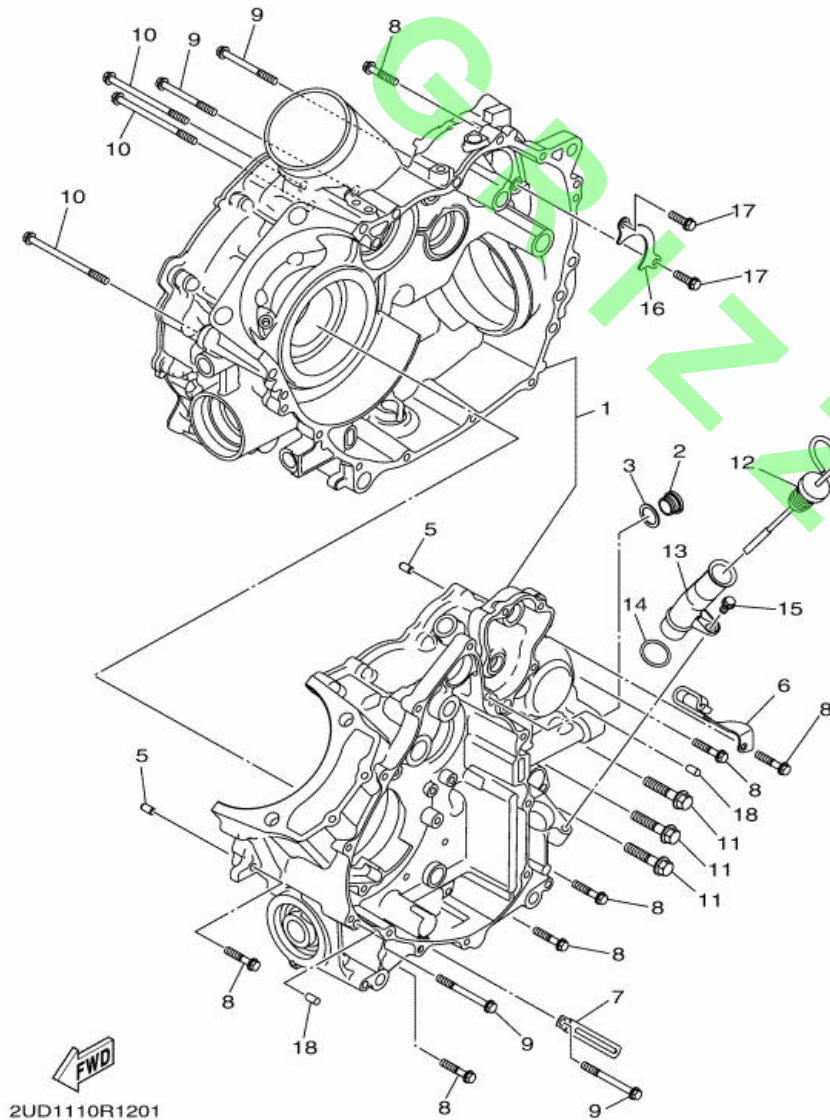
Ref. No.	Part No.	Description		Remarks	
	1	2MB-E5409-00	CRANKCASE COVER ASSY	1	
	2	2MB-E5596-00	. BEARING	1	
	3	2MB-E243K-00	. PIPE, DRAIN	1	
	4	2MB-E511A-00	. OIL SEAL	1	
	5	2MB-E2438-00	. SEAL, MECHANICAL	1	
<hr/>					
	6	2MB-E244H-00	HOSE 5	1	
	7	2MB-E5179-00	CLIP	1	
	8	2MB-E5451-00	GASKET, CRANKCASE COVER 1	1	
	9	B16-E5191-00	PLATE	1	
	10	B16-H1128-00	CLAMP	1	
<hr/>					
	11	2MB-E5481-50	BOLT 1	10	
	12	2MB-E5481-20	BOLT 1	1	
	13	2MB-E5113-00	PLATE	1	
	14	2MB-E5187-00	BOLT	2	
	15	2MB-E5168-00	PLUG, BLIND 2	1	
<hr/>					
	16	2MB-E511C-00	O-RING	1	
	17	2MB-E5169-00	PLUG, BLIND 2	1	
	18	2MB-E4G97-00	O-RING	1	
	19	B16-E5421-00	COVER, CRANKCASE 2	1	
	20	2MB-E5453-00	GASKET	1	
<hr/>					
	21	2MB-E5315-00	SEAL, CRANKCASE	1	
	22	2MB-E5482-10	BOLT 2	8	
	23	2MB-E5480-00	HOUSING ASSY	1	
	24	2MB-E5693-00	. BEARING	1	
	25	2MB-E4005-00	. OIL SEAL	1	
<hr/>					
	26	2MB-E5381-00	. PLATE, BEARING COVER	1	
	27	2MB-E5482-00	. BOLT 2	1	

Fig. 13 CRANKCASE COVER 1



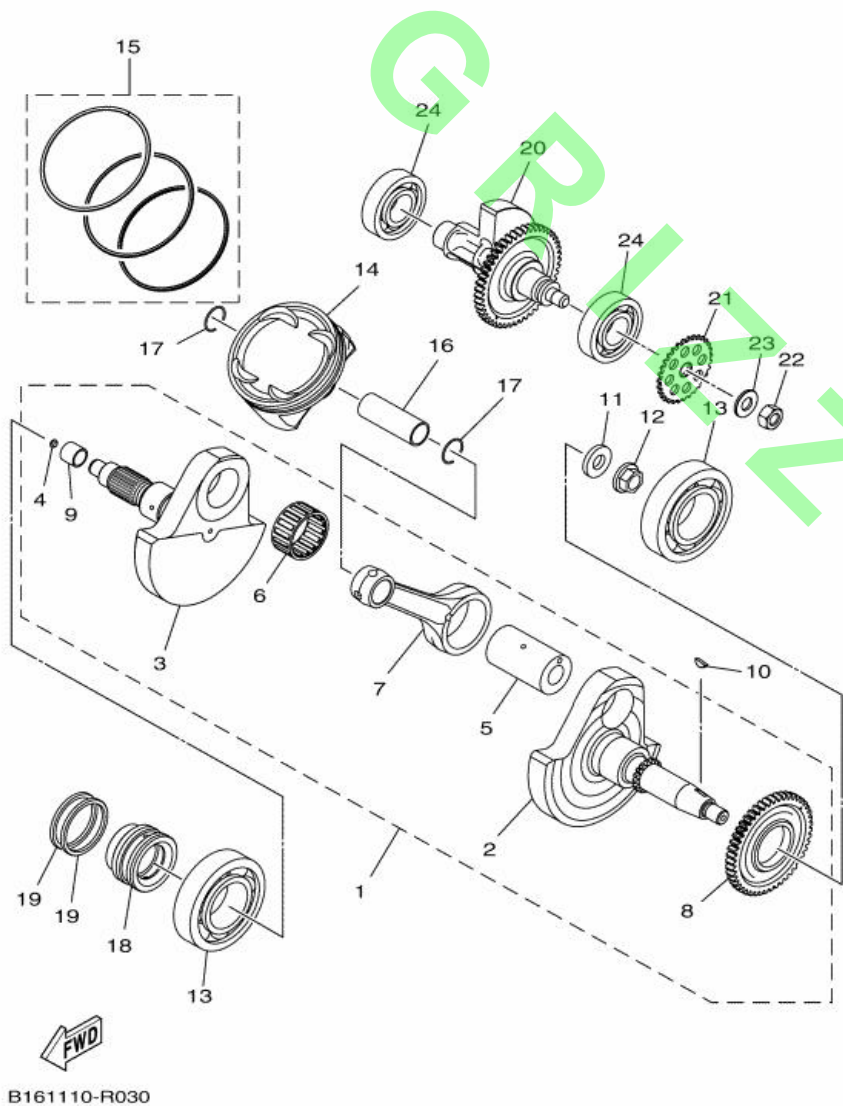
Ref. No.	Part No.	Description		Remarks
	28 2MB-E5181-00	PIN, DOWEL	2	
	29 2MB-E5482-10	BOLT 2	2	
	30 2MB-E5482-30	BOLT 2	2	
	31 B16-E5431-00	COVER, CRANKCASE 3	1	
	32 2MB-E5379-00	SEAL, CRANKCASE	1	
<hr/>				
	33 2MB-E5365-00	GROMMET	1	
	34 2MB-E5351-00	PLUG, DRAIN	1	
	35 2MB-E5768-00	BOLT	12	
	36 B16-E5484-00	CLAMP 2	1	
	37 1HP-E5471-00	DUCT, AIR	1	
<hr/>				
	38 90480-13567	GROMMET	1	
	39 90460-85135	CLAMP, HOSE	2	
	40 B16-E5472-00	SEAL, AIR DUCT	1	
	41 1HP-E5473-00	DUCT, AIR	1	
	42 1S3-82123-00	SEAT, BATTERY	2	
<hr/>				
	43 90480-13398	GROMMET	1	
	44 1HP-E5474-00	SEAL, AIR DUCT	1	
	45 90460-85135	CLAMP, HOSE	2	
<hr/>				
<hr/>				

Fig. 12 CRANKCASE



Ref. No.	Part No.	Description		Remarks
	1 2MB-E5100-01	CRANKCASE ASSY	1	
	2 2MB-E5167-00	PLUG, BLIND 1	1	
	3 2MB-E5175-00	GASKET, BLIND PLUG 1	1	
	5 2MB-E5184-00	PIN, DOWEL	2	
	6 2UD-E546C-00	HOLDER	1	
	7 B16-E5484-00	CLAMP 2	1	
	8 2MB-E5481-50	BOLT 1	7	
	9 2MB-E5481-C0	BOLT 1	4	
	10 2MB-E5481-90	BOLT 1	3	
	11 2MB-E2623-00	BOLT	3	
	12 B16-E5362-00	PLUG, OIL LEVEL	1	
	13 B16-E5112-00	PIPE, OIL	1	
	14 2MB-E2439-00	O-RING	1	
	15 2MB-E5481-60	BOLT 1	1	
	16 2MB-E5388-00	PLATE, BEARING COVER	1	
	17 2MB-E5481-10	BOLT 1	2	
	18 2MB-E5184-00	PIN, DOWEL	2	

Fig. 03 CRANKSHAFT & PISTON



Ref. No.	Part No.	Description		Remarks
1	2MB-E1400-00	CRANKSHAFT ASSY	1	
2	2MB-E1412-10	. CRANK 1	1	
3	2MB-E1422-10	. CRANK 2	1	
4	2MB-E1446-00	. PLUG, CRANK	1	
5	2MB-E1681-10	. PIN, CRANK 1	1	
6	2MB-E1415-00	. BEARING ASSY 1	1	
7	2MB-E1651-10	. ROD, CONNECTING	1	
8	2MB-E1536-00	. GEAR, DRIVE	1	
9	2MB-G6122-00	. RACE, INNER	1	
10	2MB-E1545-00	KEY, WOODRUFF	1	
11	2MB-E1557-00	WASHER 1	1	
12	2MB-E1555-00	NUT, CRANKSHAFT 1	1	
13	2MB-E1425-00	BEARING ASSY 2	2	
14	2MB-E1631-00	PISTON (STD)	1	
	2MB-E1635-00	PISTON (0.25MM O/S)	1	AP
	2MB-E1636-00	PISTON (0.50MM O/S)	1	AP
15	2MB-E1603-00	PISTON RING SET (STD)	1	
	2MB-E1604-00	PISTON RING SET (0.25MM O/S)	1	AP
	2MB-E1605-00	PISTON RING SET (0.50MM O/S)	1	AP
16	2MB-E1633-00	PIN, PISTON	1	
17	2MB-E1634-00	CLIP, PISTON PIN	2	
18	2MB-E6181-00	SPACER 1	1	
19	2MB-E1447-00	SEAL, CRANK	2	
20	2MB-E1500-00	BALANCER ASSY	1	
21	2MB-E3354-00	SPROCKET, DRIVE	1	
22	2MB-E1459-00	NUT, SPECIAL	1	
23	2MB-E1483-00	WASHER, WEIGHT 1	1	

Fig. 03 CRANKSHAFT & PISTON

Ref. No.	Part No.	Description		Remarks
	24 2MB-E1436-00	BEARING ASSY 3	2	

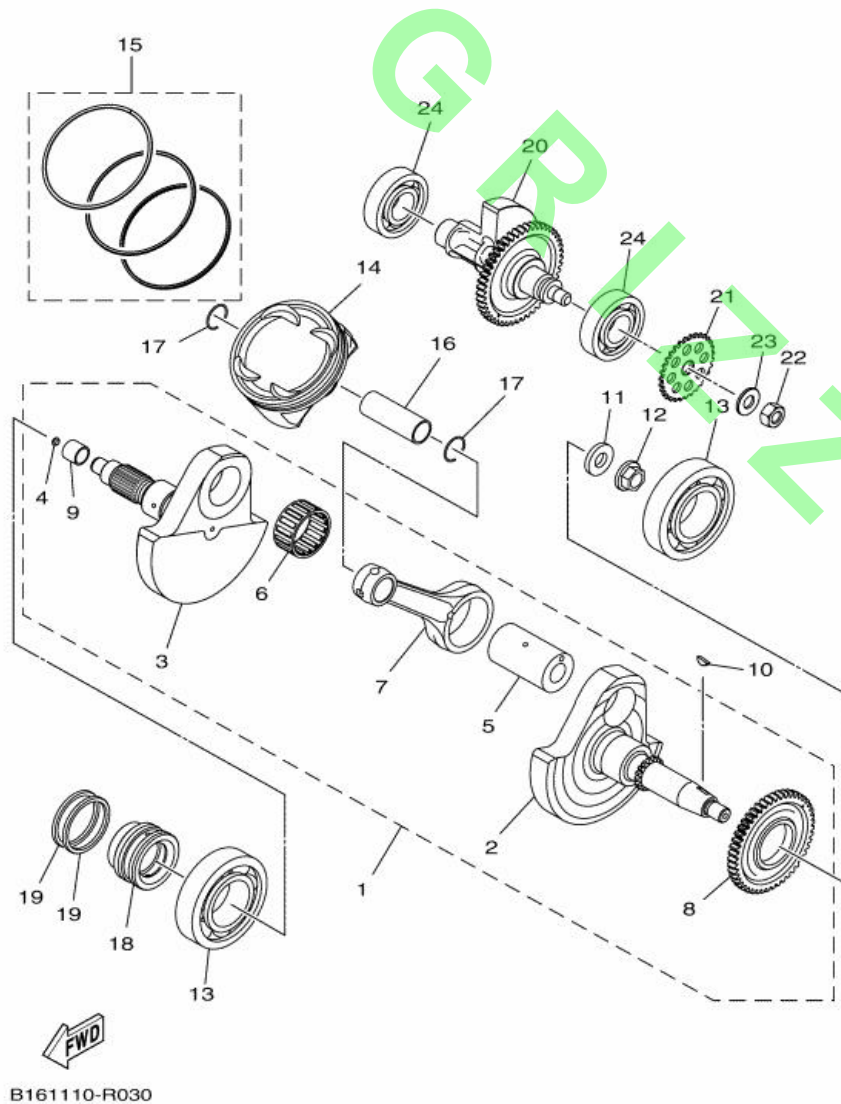
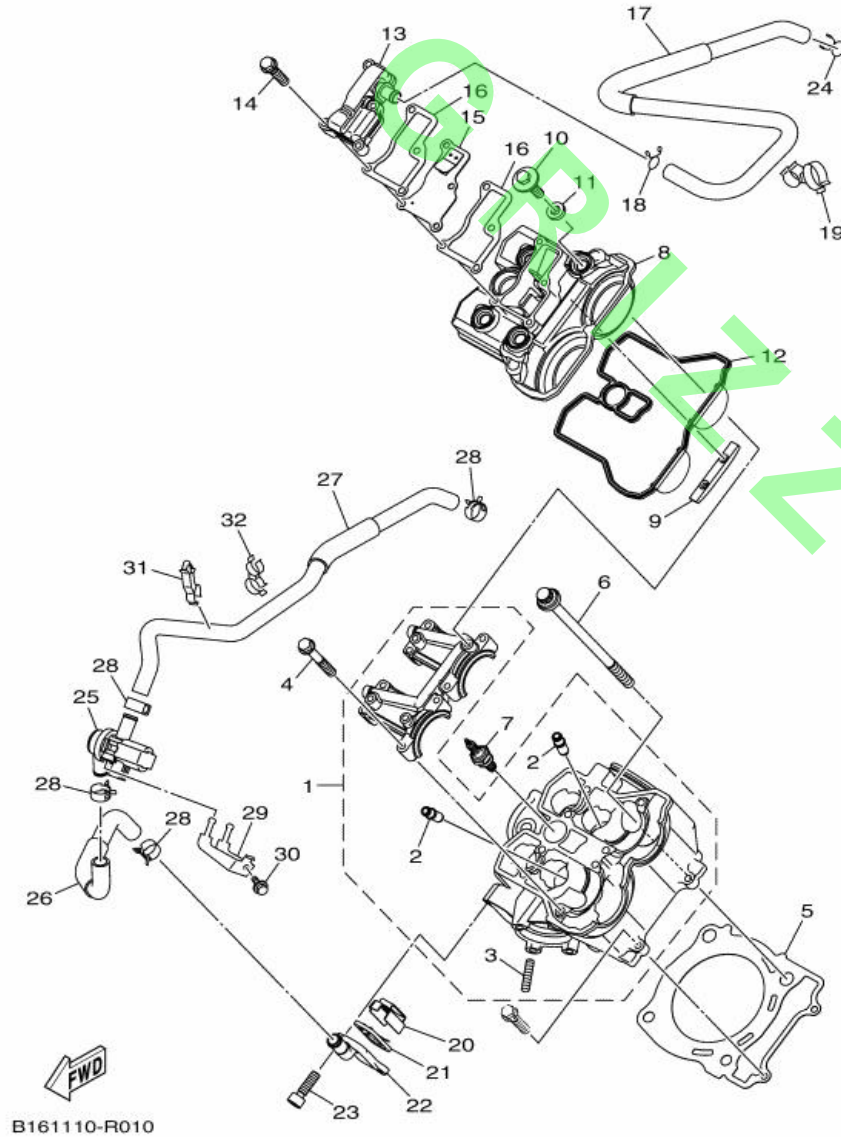


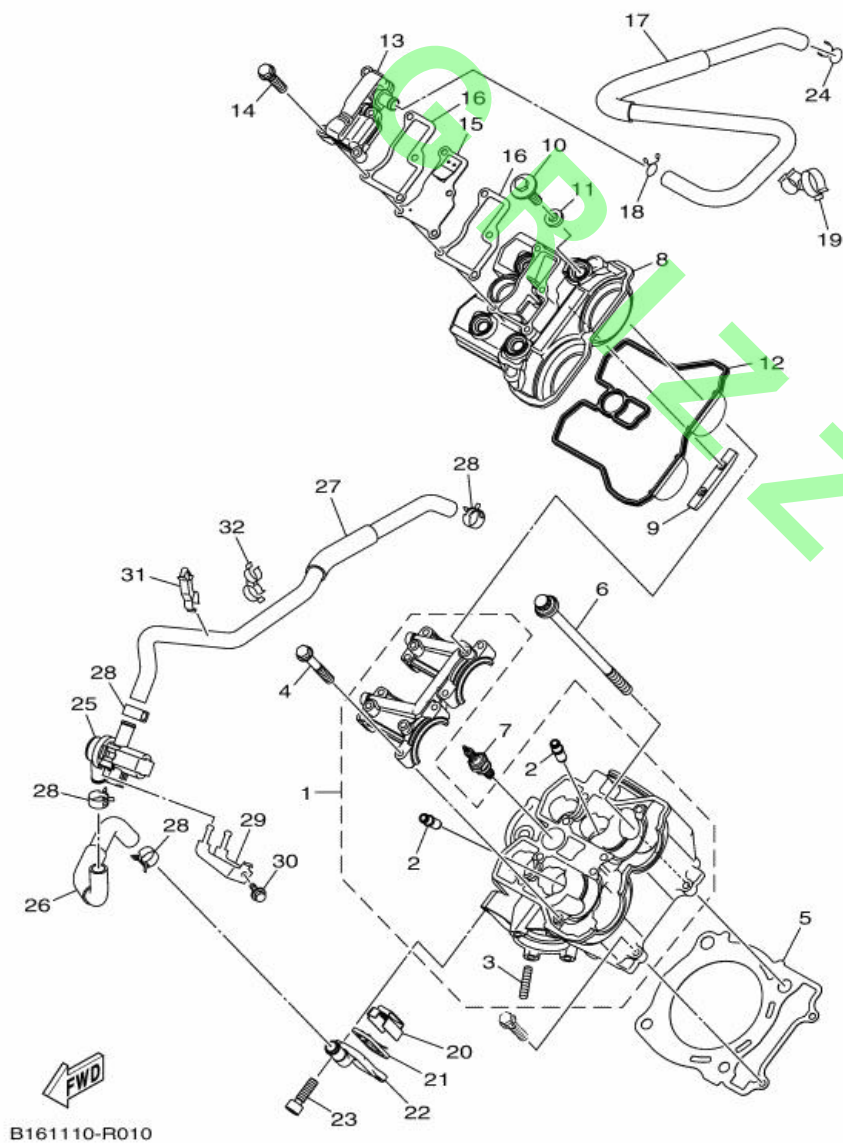
Fig. 01 CYLINDER HEAD



B161110-R010

Ref. No.	Part No.	Description		Remarks
1	B16-E1102-00	CYLINDER HEAD ASSY	1	
2	2MB-E1133-10	. GUIDE, VALVE 1	4	
3	2MB-E1179-00	. BOLT, STUD	2	
4	2MB-E5481-80	BOLT 1	8	
5	2MB-E1181-00	GASKET, CYLINDER HEAD 1	1	
6	2MB-E1361-00	BOLT, CYLINDER HOLDING 1	4	
7	2MB-E119C-00	PLUG, SPARK (NGK CPR7EA)	1	
8	2MB-E1191-00	COVER, CYLINDER HEAD 1	1	
9	2MB-E2241-00	GUIDE, STOPPER 2	1	
10	2MB-E4446-00	BOLT	4	
11	2MB-E111G-00	RUBBER, MOUNT 1	4	
12	2MB-E1193-00	GASKET, HEAD COVER 1	1	
13	2MB-E1160-00	BREATHER ASSY	1	
14	2MB-E5481-20	BOLT 1	4	
15	2MB-E3610-00	REED VALVE ASSY	1	
16	2MB-E131B-00	GASKET, COVER	2	
17	B16-E1166-00	PIPE, BREATHER 1	1	
18	90467-140A4	CLIP	1	
19	90464-23002	CLAMP	1	
20	2MB-E482K-00	PLATE	1	
21	2MB-E4890-00	REED VALVE ASSY	1	
22	2MB-E4889-00	CAP, CASE	1	
23	2MB-E6777-10	BOLT	2	
24	90467-150A2	CLIP	1	
25	2MB-14840-00	AIR CUT VALVE ASSY	1	
26	2BG-E4882-00	HOSE, BEND 2	1	
27	B16-E4883-00	HOSE, BEND 3	1	

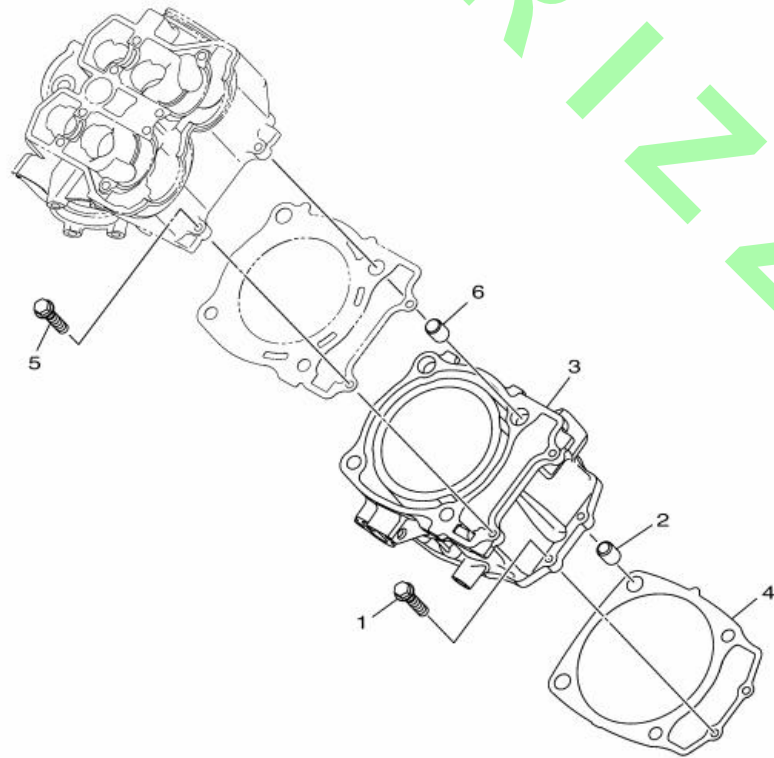
Fig. 01 CYLINDER HEAD



Ref. No.	Part No.	Description		Remarks
28	90467-17089	CLIP	4	
29	2BG-F117A-00	STAY	1	
30	95812-06012	BOLT, FLANGE	1	
31	90464-17006	CLAMP	1	
32	90464-18015	CLAMP	1	
<hr style="border-top: 1px dashed black;"/>				
<hr style="border-top: 1px dashed black;"/>				
<hr style="border-top: 1px dashed black;"/>				
<hr style="border-top: 1px dashed black;"/>				
<hr style="border-top: 1px dashed black;"/>				

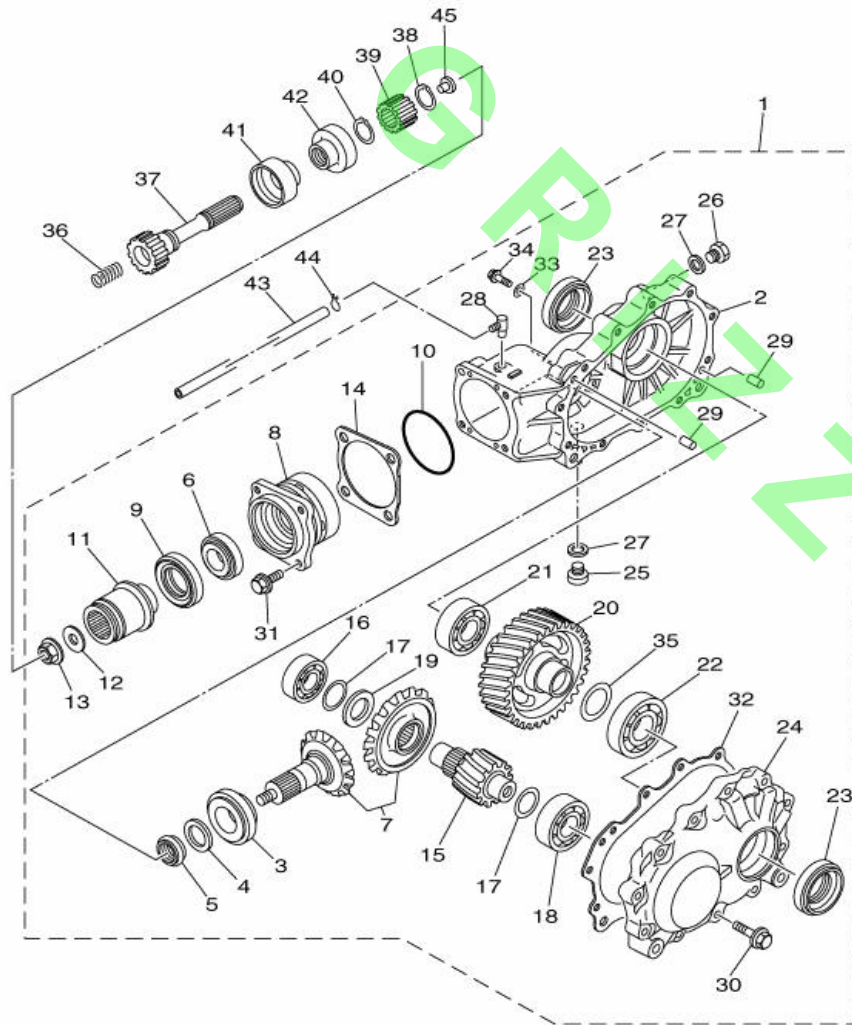
Fig. 02 CYLINDER

Ref. No.	Part No.	Description		Remarks
1	2MB-E5481-20	BOLT 1	2	
2	2MB-E5182-00	PIN, DOWEL	2	
3	2MB-E1311-00	CYLINDER 1	1	
4	2MB-E1351-00	GASKET, CYLINDER	1	
5	2MB-E5481-20	BOLT 1	2	
6	2MB-E5182-00	PIN, DOWEL	2	



B161110-R020

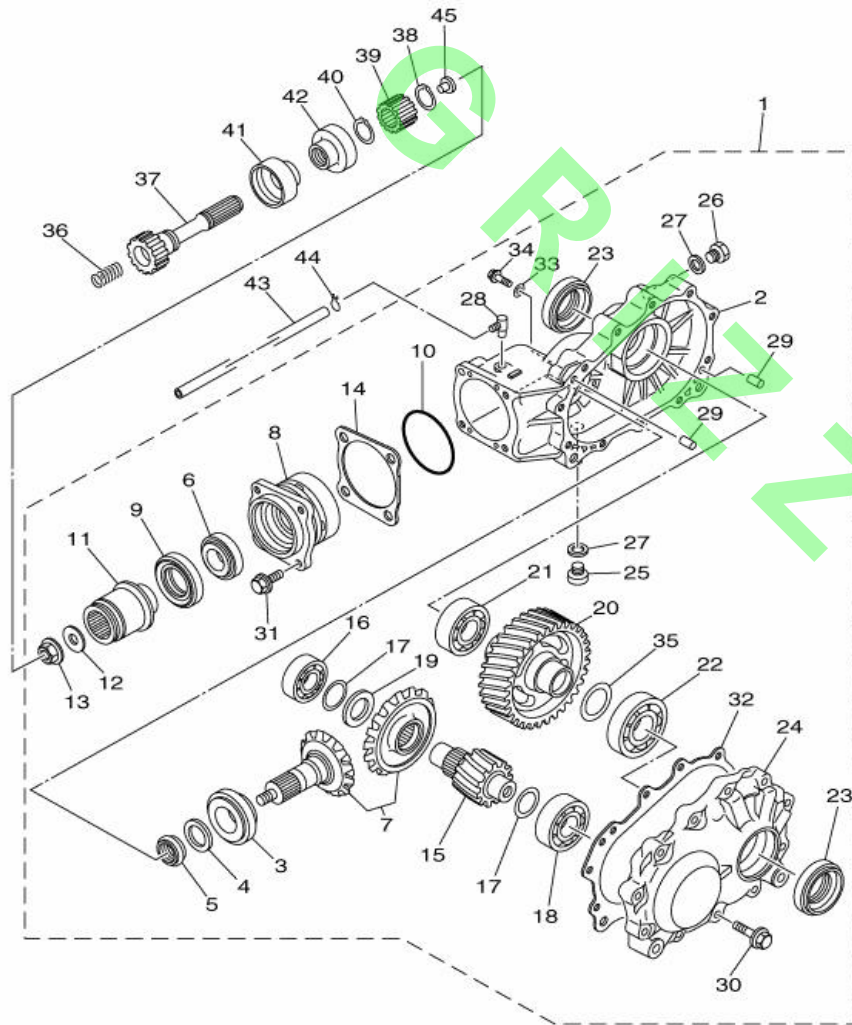
Fig. 26 DRIVE SHAFT



1HP1110-L260

Ref. No.	Part No.	Description		Remarks
1	1HP-46101-00	REAR AXLE GEAR CASE ASSY	1	
2	3B4-46151-00	. HOUSING, DRIVE SHAFT	1	
3	93332-00046	. BEARING	1	
4	90201-25634	. WASHER, PLATE	1	
5	3B4-46129-00	. SPACER, EXPANSION	1	
6	93332-00053	. BEARING	1	
7	3B4-461A0-00	. RING GEAR SET	1	
8	3B4-46144-00	. HOUSING, PINION BEARING	1	
9	93102-35380	. OIL SEAL	1	
10	93210-626A7	. O-RING	1	
11	3B4-46126-10	. COUPLING	1	
12	90201-12029	. WASHER, PLATE	1	
13	90179-12005	. NUT	1	
14	2HR-46127-00-25	. SHIM, DRIVE PISTON (0.25T)	1	UR
	2HR-46127-00-30	. SHIM, DRIVE PISTON (0.30T)	1	UR
	2HR-46127-00-35	. SHIM, DRIVE PISTON (0.35T)	1	UR
	2HR-46127-00-40	. SHIM, DRIVE PISTON (0.40T)	1	UR
	2HR-46127-00-45	. SHIM, DRIVE PISTON (0.45T)	1	UR
	2HR-46127-00-50	. SHIM, DRIVE PISTON (0.50T)	1	UR
15	3B4-46316-00	. GEAR, PINION 1	1	
16	93306-205U0	. BEARING	1	
17	3B4-46119-00	. SHIM, THRUST (0.25T)	2	UR
	3B4-46119-10	. SHIM, THRUST (0.30T)	2	UR
	3B4-46119-20	. SHIM, THRUST (0.35T)	2	UR
	3B4-46119-30	. SHIM, THRUST (0.40T)	2	UR
	3B4-46119-40	. SHIM, THRUST (0.45T)	2	UR
	3B4-46119-50	. SHIM, THRUST (0.50T)	2	UR

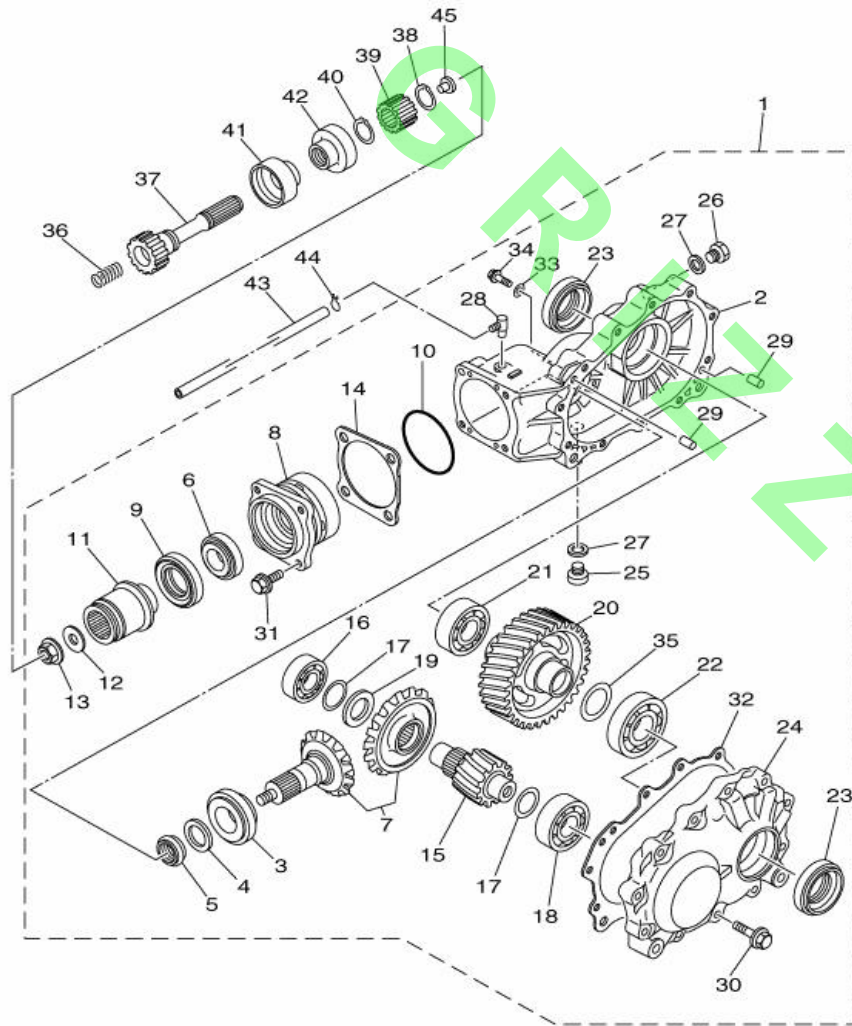
Fig. 26 DRIVE SHAFT



1HP1110-L260

Ref. No.	Part No.	Description	Quantity	Remarks
18	93306-30534	. BEARING	1	
19	3B4-4621F-00	. SHIM,THRUST (4.5T)	1	UR
	3B4-4621F-10	. SHIM,THRUST (4.8T)	1	UR
	3B4-4621F-20	. SHIM,THRUST (5.1T)	1	UR
	3B4-4621F-30	. SHIM,THRUST (5.4T)	1	UR
20	3B4-46326-01	. GEAR, WHEEL 1	1	
21	93306-00704	. BEARING	1	
22	93306-207U0	. BEARING	1	
23	93102-35380	. OIL SEAL	2	
24	3B4-46152-00	. HOUSING, BEARING	1	
25	90340-14002	. PLUG, STRAIGHT SCREW	1	
26	90340-14029	. PLUG, STRAIGHT SCREW	1	
27	214-11198-01	. GASKET	2	
28	5UG-15371-00	. BREATHER	1	
29	99530-10014	. PIN, DOWEL	2	
30	95822-08035	. BOLT, FLANGE	11	
31	95822-08025	. BOLT, FLANGE	4	
32	3B4-4631A-01	. GSKT., CASE	1	
33	90201-08087	. WASHER, PLATE	1	
34	95022-08012	. BOLT, FLANGE	1	
35	3B4-46344-00	. SHIM (0.25T)	1	UR
	3B4-46344-10	. SHIM (0.30T)	1	UR
	3B4-46344-20	. SHIM (0.35T)	1	UR
	3B4-46344-30	. SHIM (0.40T)	1	UR
	3B4-46344-40	. SHIM (0.45T)	1	UR
	3B4-46344-50	. SHIM (0.50T)	1	UR
36	90501-20361	SPRING, COMPRESSION	1	

Fig. 26 DRIVE SHAFT



1HP1110-L260

Ref. No.	Part No.	Description		Remarks
	37	1HP-G6172-00	SHAFT, DRIVE	1
	38	99009-19400	CIRCLIP	1
	39	5KM-46126-00	COUPLING	1
	40	93410-22039	CIRCLIP	1
	41	5KM-46137-00	SEAL 2	1
	42	5KM-46136-00	SEAL 1	1
	43	90445-074F6	HOSE (L1300)	1
	44	90467-07029	CLIP	1
	45	5KM-46559-00	DAMPER	1

Fig. 49 ELECTRICAL 2

Ref. No.	Part No.	Description		Remarks
1	2EK-85111-00	REFLECTOR, FRONT 1	2	
2	92902-05200	WASHER	2	
3	95302-05600	NUT, HEXAGON	2	
4	449-85131-02	REFLECTOR, REAR 1	2	
5	92902-05200	WASHER	2	
6	3Y6-85130-02	REAR REFLECTOR ASSY	1	
7	92902-05200	WASHER	1	
8	95302-05600	NUT, HEXAGON	1	

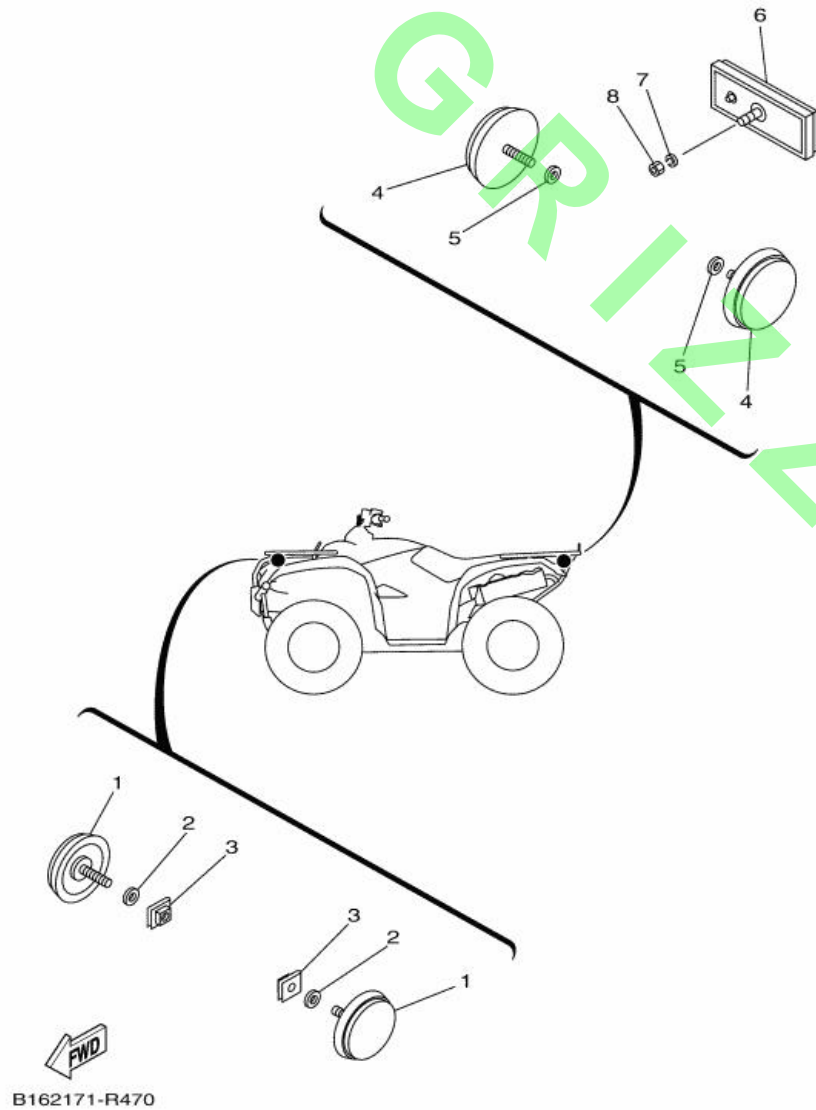
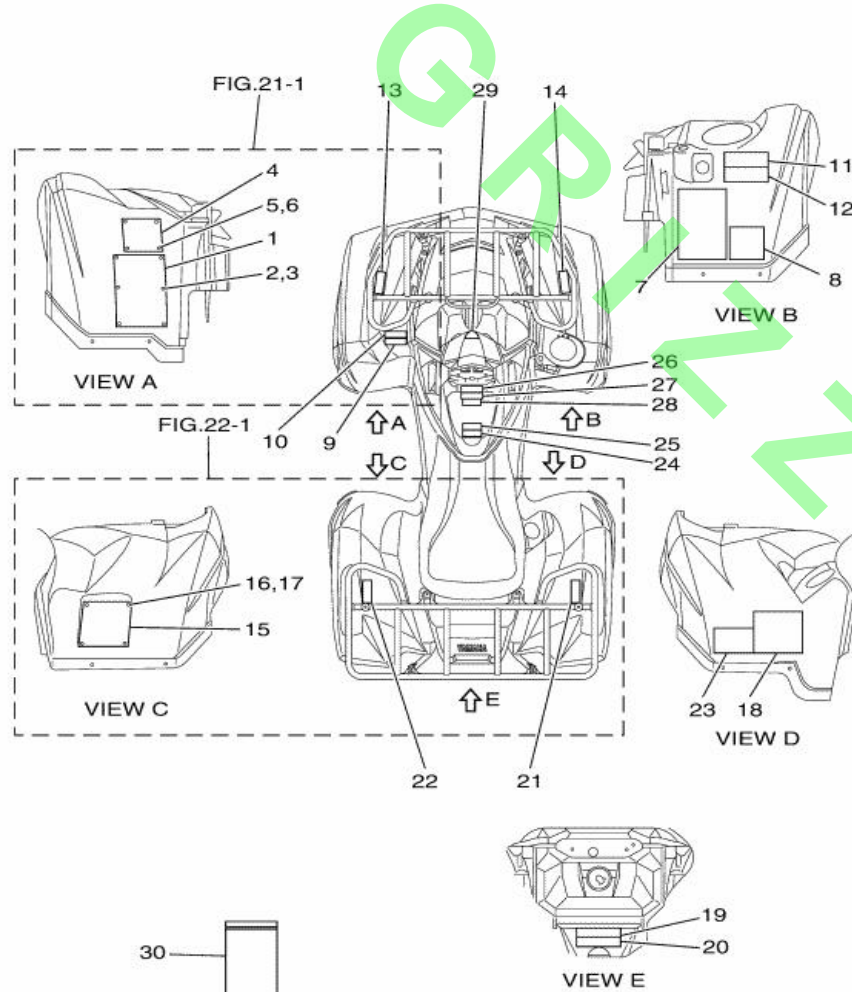


Fig. 51 EMBLEM & LABEL 1

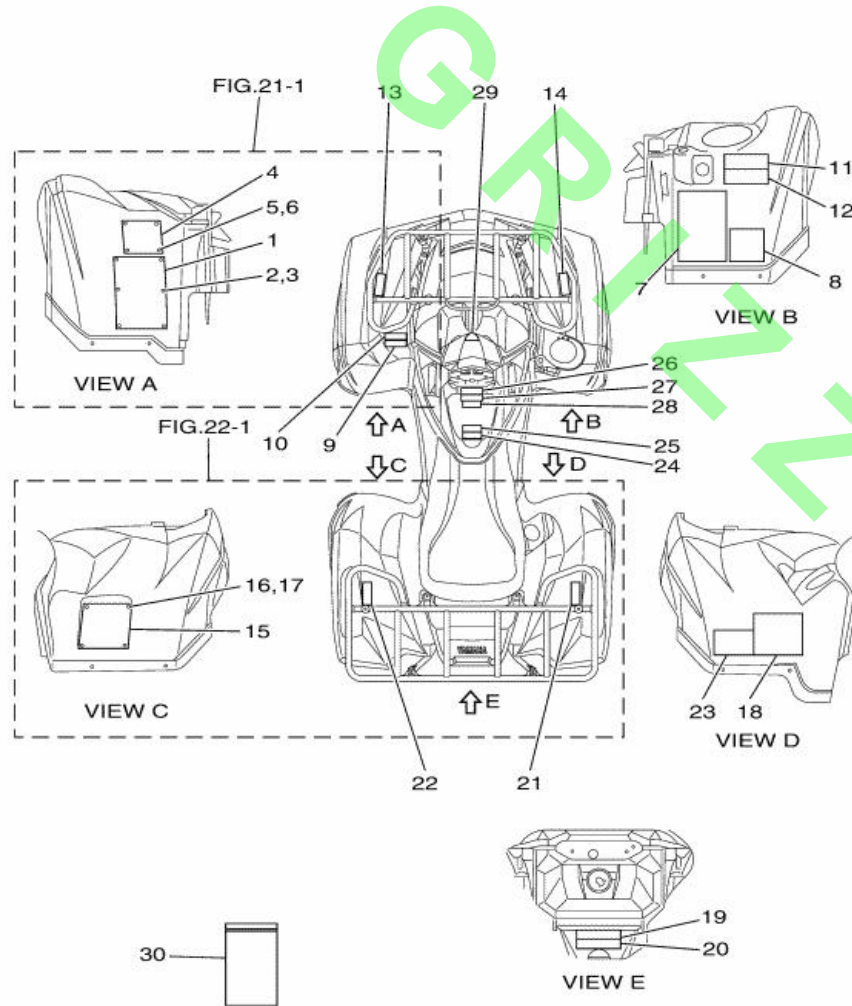


2UD2171-R510

Ref. No.	Part No.	Description	Quantity	Remarks
1	4XE-F1568-00	LABEL, WARNING	1	ENGLISH
2	4XE-F1539-10	RIVET	6	
3	4XE-F1549-00	WASHER, FENDER MOLD	6	
4	1P0-F816L-00	LABEL, WARNING AGE	1	ENGLISH
5	4XE-F1539-10	RIVET	4	
6	4XE-F1549-00	WASHER, FENDER MOLD	4	
7	4XE-F1568-20	LABEL, WARNING	1	FRENCH
8	1P0-F816L-10	LABEL, WARNING AGE	1	FRENCH
9	5ND-F151E-00	LABEL 2	1	ENGLISH
10	5ND-F151E-10	LABEL 2	1	FRENCH
11	37S-F151F-00	LABEL 3	1	ENGLISH
12	37S-F151F-10	LABEL 3	1	FRENCH
13	B16-F4877-00	LABEL, CAUTION	1	ENGLISH
14	B16-F4877-10	LABEL, CAUTION	1	FRENCH
15	B16-F816M-U0	LABEL, WARNING TIRE & LOAD	1	ENGLISH
16	4XE-F1539-10	RIVET	4	
17	4XE-F1549-00	WASHER, FENDER MOLD	4	
18	B16-F816M-10	LABEL, WARNING TIRE & LOAD	1	FRENCH
19	37S-F151K-00	LABEL 7	1	ENGLISH
20	37S-F151K-10	LABEL 7	1	FRENCH
21	B16-F4897-10	EMBLEM	1	FRENCH
22	B16-F4897-20	EMBLEM	1	ENGLISH
23	4XE-F151H-10	LABEL 5	1	FRENCH
24	5ND-F1558-00	LABEL, WARNING 2	1	ENGLISH
25	5ND-F1558-10	LABEL, WARNING 2	1	FRENCH
26	B16-F151F-01	LABEL 3	1	ENGLISH
27	B16-F151F-11	LABEL 3	1	FRENCH

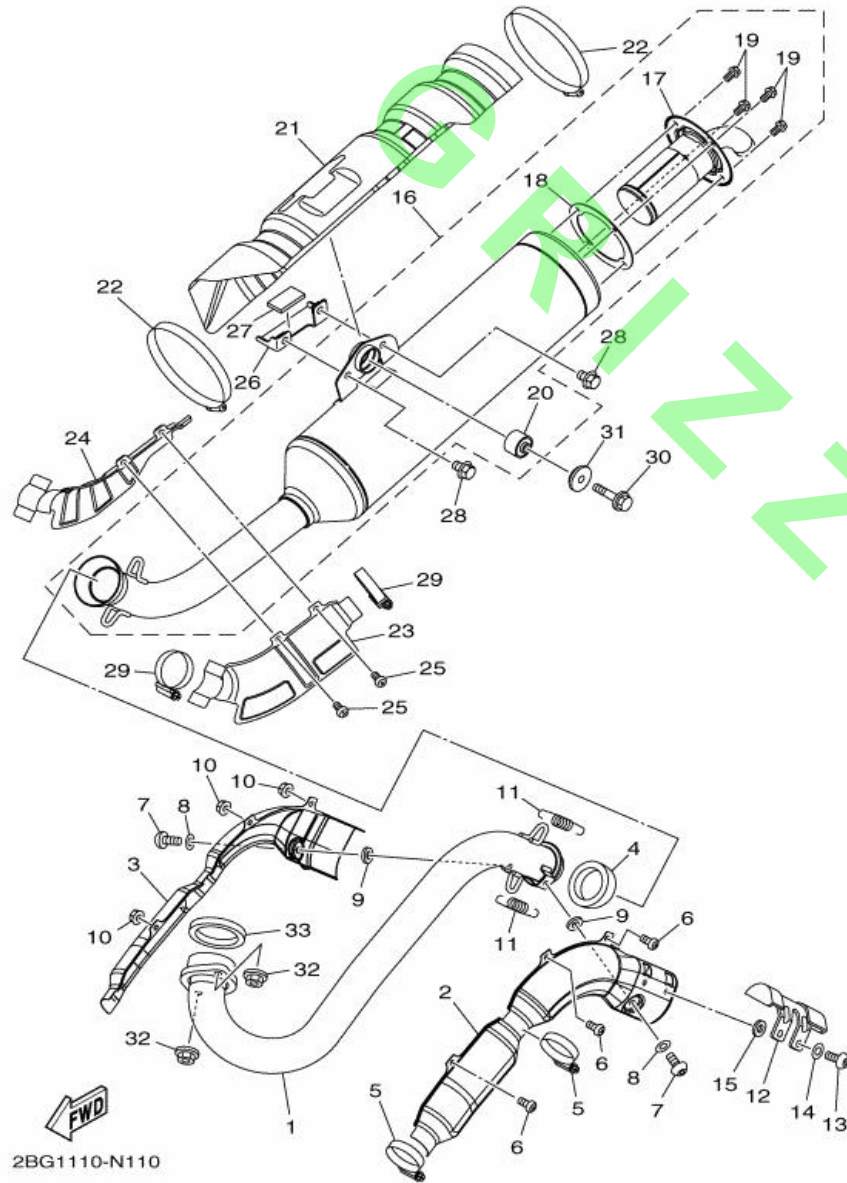
Fig. 51 EMBLEM & LABEL 1

Ref. No.	Part No.	Description		Remarks
	28 4XE-F416E-00	LABEL, CAUTION CANADA	1	
	29 B16-F6232-00	EMBLEM 3D	1	
	30 1P0-F8186-01	POUCH	1	



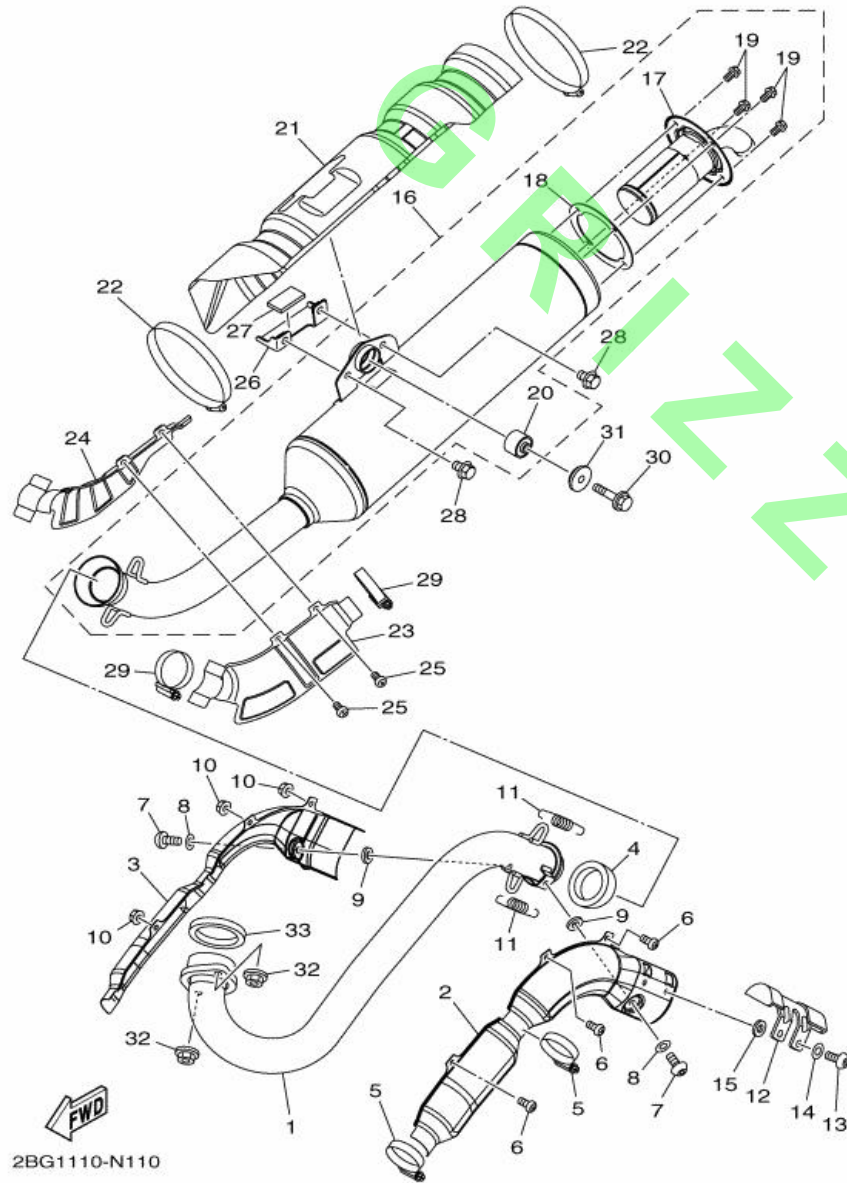
2UD2171-R510

Fig. 11 EXHAUST



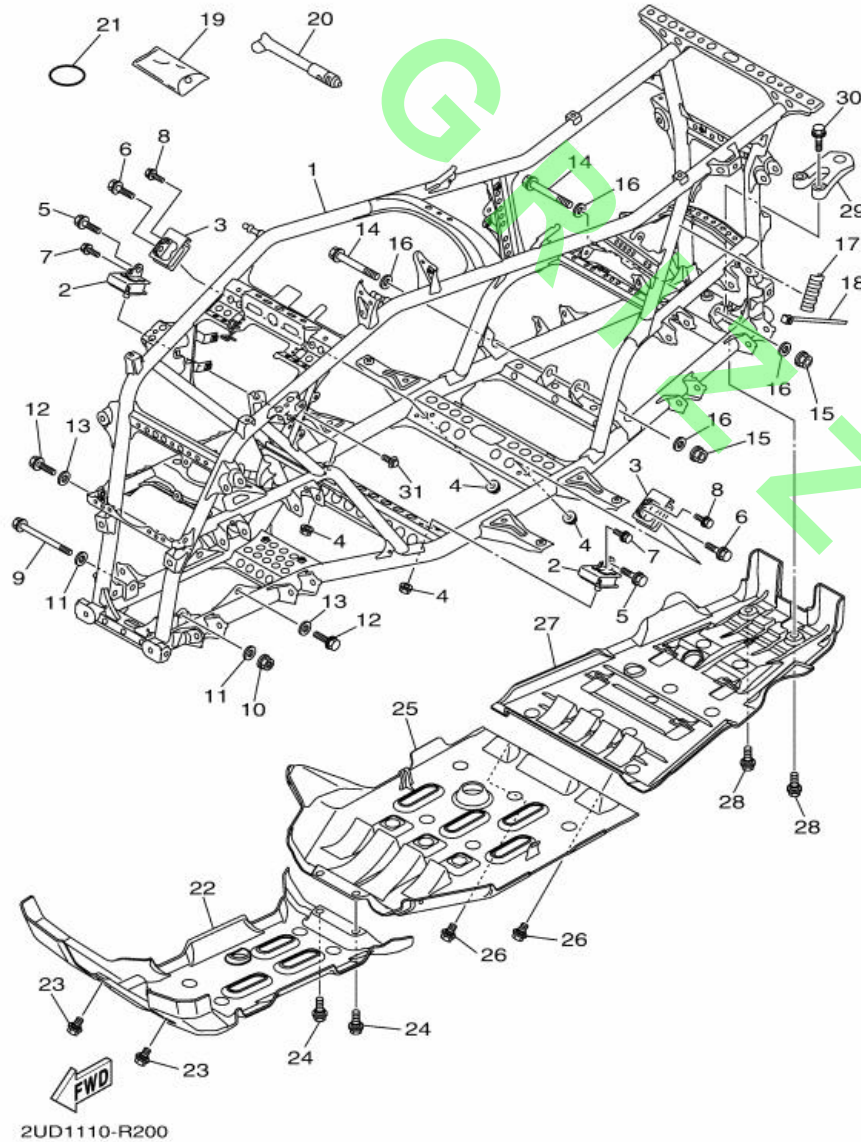
Ref. No.	Part No.	Description		Remarks
1	2BG-E4611-01	PIPE, EXHAUST 1	1	
2	2BG-E4627-00	COVER, EXHAUST	1	
3	B16-E463B-00	PROTECTOR, EXHAUST PIPE 2	1	
4	1HP-E4714-00	GASKET, MUFFLER	1	
5	90450-45806	HOSE CLAMP ASSY	2	
6	98502-06012	SCREW, PAN HEAD	3	
7	92012-06010	BOLT, BUTTON HEAD	2	
8	92902-06200	WASHER	2	
9	90201-05037	WASHER, PLATE	2	
10	95702-06500	NUT, FLANGE	3	
11	90506-30006	SPRING, TENSION	2	
12	1HP-E4758-00	PROTECTOR, SILENCER	1	
13	92012-06012	BOLT, BUTTON HEAD	2	
14	92902-06200	WASHER	2	
15	90201-05015	WASHER, PLATE	2	
16	B16-E4703-00	MUFFLER COMP. 1	1	
17	2BG-E4780-00	. SPARK ARRESTER ASSY	1	
18	2BG-E4755-00	. GASKET, SILENCER	1	
19	95022-06012	. BOLT, FLANGE	4	
20	1HP-F7414-00	. DAMPER, FOOTREST	1	
21	1HP-E4718-00	PROTECTOR, MUFFLER 1	1	
22	90450-99805	HOSE CLAMP ASSY	2	
23	1HP-E471C-00	PROTECTOR ASSY 1	1	
24	1HP-E472C-00	PROTECTOR ASSY., 2	1	
25	98502-06012	SCREW, PAN HEAD	2	
26	1HP-E477U-00	STOPPER 1	1	
27	1HP-E4733-00	MAT 1	1	

Fig. 11 EXHAUST



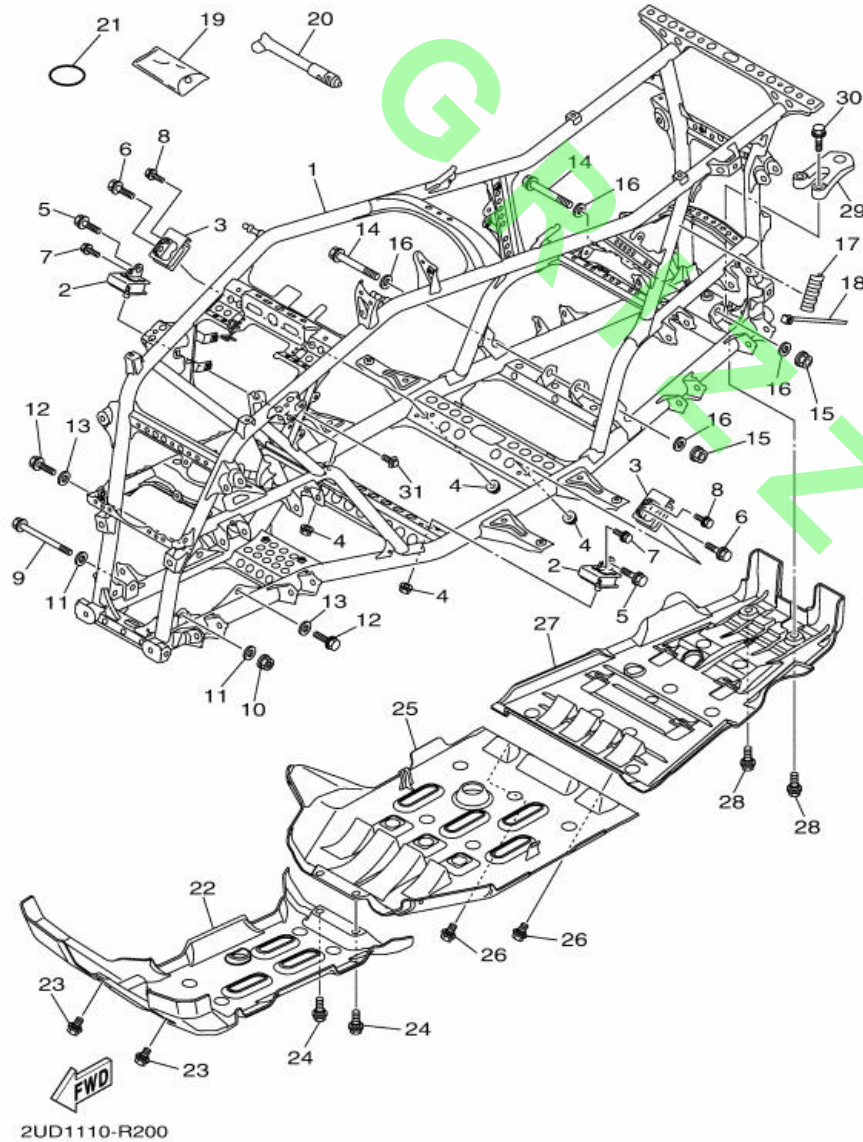
Ref. No.	Part No.	Description		Remarks
	28 95822-08012	BOLT, FLANGE	2	
	29 90450-45806	HOSE CLAMP ASSY	2	
	30 95812-08040	BOLT, FLANGE	1	
	31 3B4-14759-01	WASHER	1	
	32 95702-08500	NUT, FLANGE	2	
	33 3EG-14613-00	GASKET, EXHAUST PIPE	1	

Fig. 20 FRAME



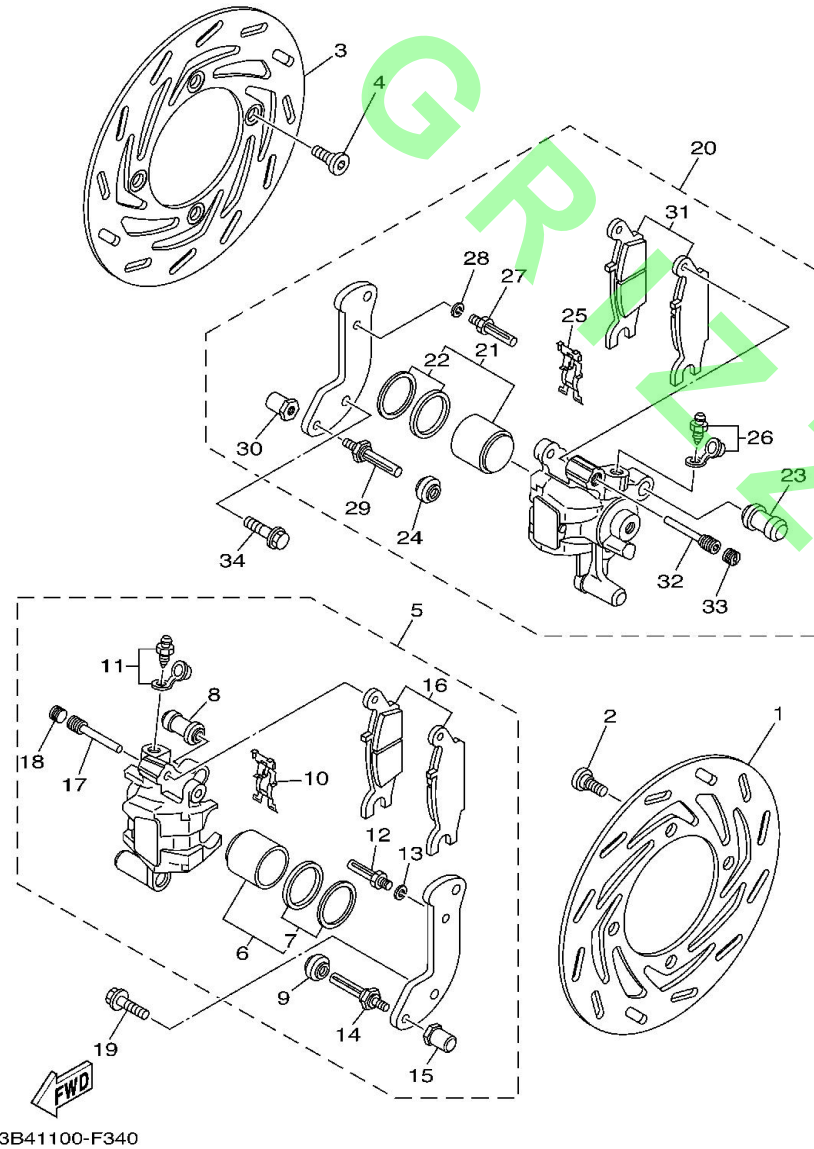
Ref. No.	Part No.	Description	Quantity	Remarks
1	2UD-F1110-00	FRAME COMP.	1	
2	B16-F1485-00	DAMPER, RUBBER 1	2	
3	B16-21485-00	DAMPER, RUBBER 1	2	
4	90185-10011	NUT, SELF-LOCKING	4	
5	2MB-E3574-00	BOLT 2	2	
6	95812-10035	BOLT, FLANGE	2	
7	2MB-E5481-A0	BOLT 1	2	
8	90105-06639	BOLT, FLANGE	2	
9	90105-10219	BOLT, FLANGE	1	
10	90185-10011	NUT, SELF-LOCKING	1	
11	90201-10035	WASHER, PLATE	2	
12	90105-10237	BOLT, FLANGE	2	
13	90201-10035	WASHER, PLATE	2	
14	90105-10238	BOLT, FLANGE	2	
15	90185-10011	NUT, SELF-LOCKING	2	
16	90201-10035	WASHER, PLATE	4	
17	3B4-2113B-01	DAMPER	1	
18	90464-40825	CLAMP	1	
19	2BG-F8100-00	TOOL KIT	1	
20	1NV-2811A-01	GAUGE, AIR	1	
21	93210-64297	O-RING	1	
22	B16-F147A-00	GUARD, ENGINE 1	1	
23	90109-06202	BOLT	2	
24	90109-06214	BOLT	2	
25	1HP-F147E-01	GUARD, ENGINE 2	1	
26	90109-06214	BOLT	2	
27	B16-F147F-00	GUARD, ENGINE 3	1	

Fig. 20 FRAME



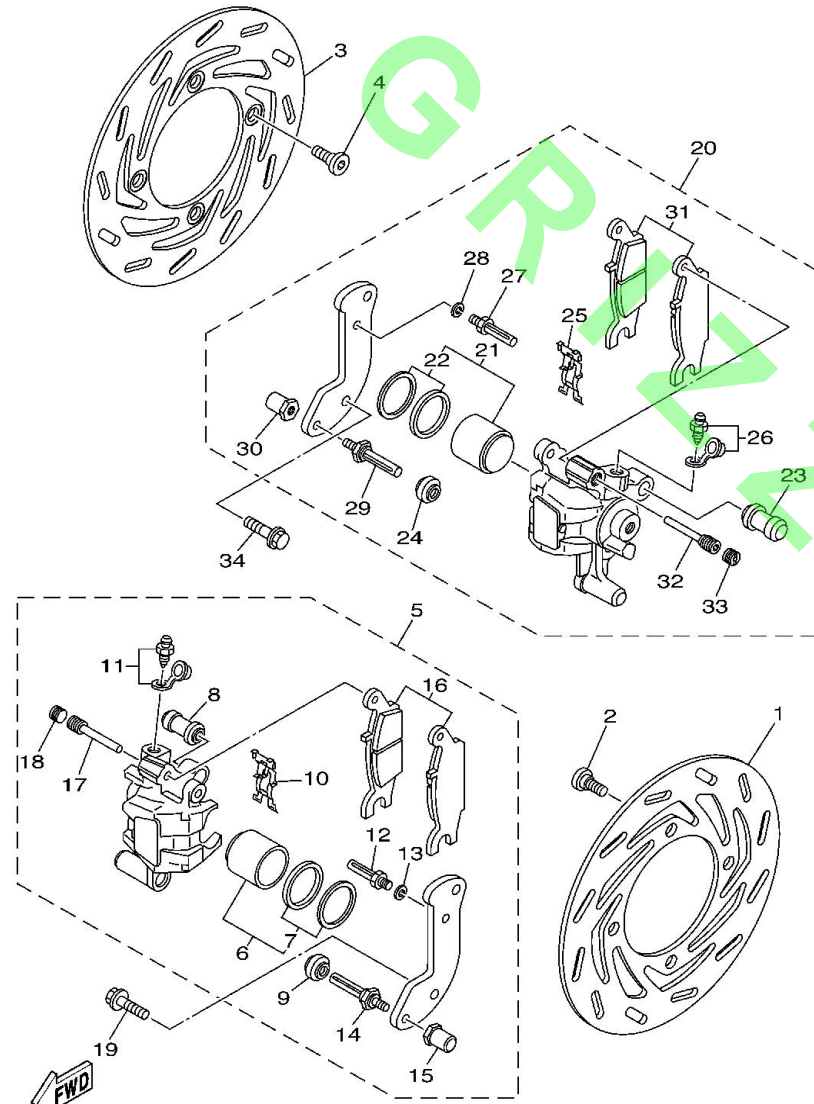
Ref. No.	Part No.	Description		Remarks
	28 90109-06202	BOLT	2	
	29 1HP-F8488-00	HOOK	1	
	30 95812-10035	BOLT, FLANGE	2	
	31 95812-06012	BOLT, FLANGE	1	

Fig. 34 FRONT BRAKE CALIPER



Ref. No.	Part No.	Description		Remarks
	1	1HP-F582T-00	DISC, BRAKE (LEFT)	1
	2	90109-08101	BOLT	4
	3	1HP-F582T-00	DISC, BRAKE (LEFT)	1
	4	90109-08101	BOLT	4
	5	3B4-2580T-02	CALIPER ASSY (LEFT)	1
	6	3B4-W0057-00	. PISTON ASSY, CALIPER	1
	7	3B4-W0047-00	. . CALIPER SEAL KIT	1
	8	1UY-25937-51	. BOOT 2	1
	9	3JD-25917-00	. BOOT, CALIPER	1
	10	5DH-25919-00	. SUPPORT, PAD	1
	11	1UY-W0048-50	. BLEED SCREW KIT	1
	12	1UY-25926-51	. BOLT	1
	13	1UY-25938-51	. WASHER, SPRING	1
	14	3JD-25926-00	. BOLT	1
	15	3JD-25961-00	. NUT	1
	16	3B4-W0045-00	. BRAKE PAD KIT	1
	17	5DH-25933-00	. PIN, PAD	1
	18	5DH-25916-00	. PLUG	1
	19	90105-08161	BOLT, FLANGE	2
	20	3B4-2580U-02	CALIPER ASSY (RIGHT)	1
	21	3B4-W0057-00	. PISTON ASSY, CALIPER	1
	22	3B4-W0047-00	. . CALIPER SEAL KIT	1
	23	1UY-25937-51	. BOOT 2	1
	24	3JD-25917-00	. BOOT, CALIPER	1
	25	5DH-25919-00	. SUPPORT, PAD	1
	26	1UY-W0048-50	. BLEED SCREW KIT	1
	27	1UY-25926-51	. BOLT	1

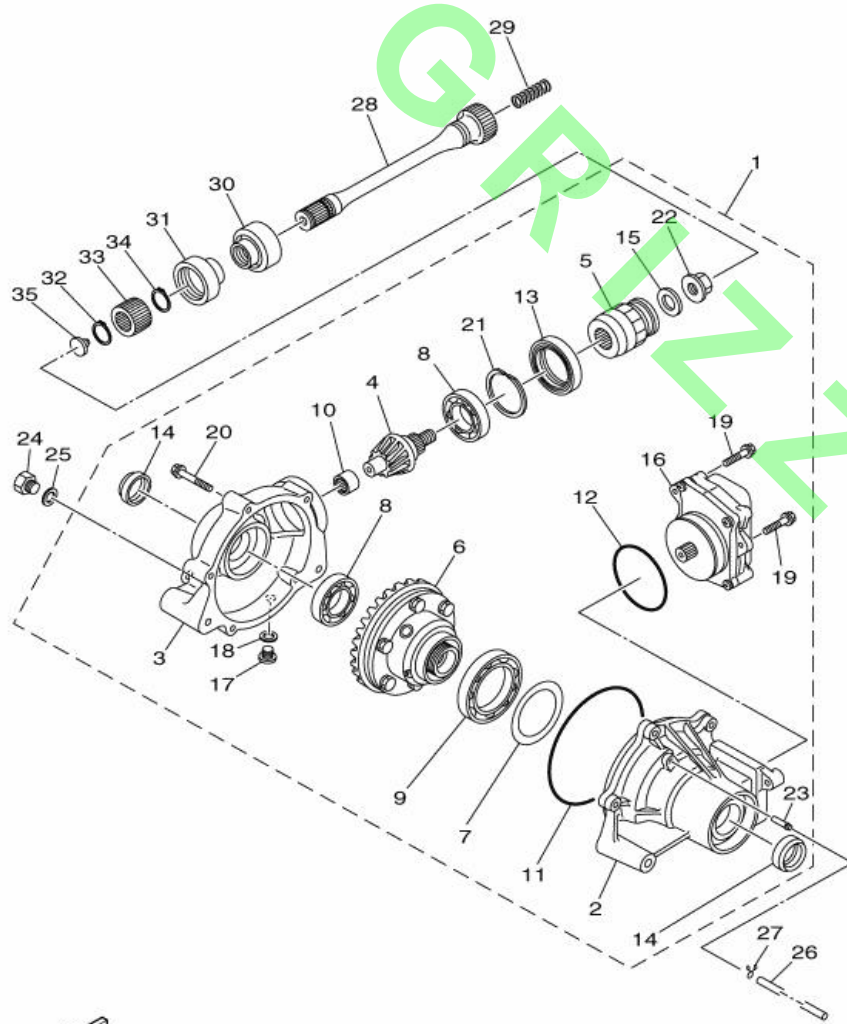
Fig. 34 FRONT BRAKE CALIPER



3B41100-F340

Ref. No.	Part No.	Description		Remarks
	28 1UY-25938-51	. WASHER, SPRING	1	
	29 3JD-25926-00	. BOLT	1	
	30 3JD-25961-00	. NUT	1	
	31 3B4-W0045-10	. BRAKE PAD KIT	1	
	32 5DH-25933-00	. PIN, PAD	1	
	33 5DH-25916-00	. PLUG	1	
	34 90105-08161	BOLT, FLANGE	2	

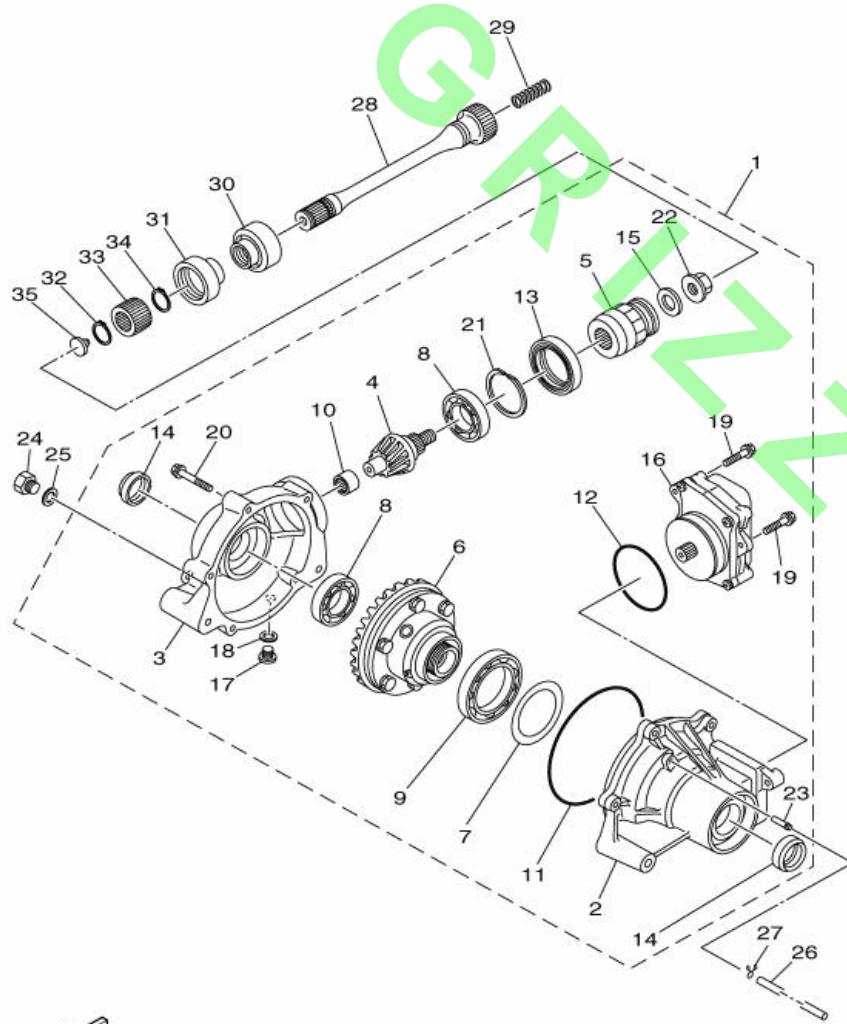
Fig. 27 FRONT DIFFERENTIAL



1DT1100-K270

Ref. No.	Part No.	Description		Remarks
	1 1HP-46160-00	FRONT AXLE GEAR CASE COMP.	1	
	2 3B4-46162-01	. HOUSING, BEARING 2	1	
	3 3B4-46161-00	. HOUSING, SHAFT DRIVE 2	1	
	4 3B4-46141-00	. PINION, DRIVE 2	1	
	5 3B4-67839-10	. CUPLING	1	
	6 3B4-46470-02	. LIMITED SLIP DIFF. ASSY	1	
	7 3B4-46117-00	. SHIM, RING GEAR (0.1T)	1	UR
	3B4-46117-10	. SHIM, RING GEAR (0.2T)	1	UR
	3B4-46117-20	. SHIM, RING GEAR (0.3T)	1	UR
	3B4-46117-30	. SHIM, RING GEAR (0.4T)	1	UR
	8 93306-00613	. BEARING	2	
	9 3B4-46164-00	. BEARING 1	1	
	10 3B4-46166-00	. BEARING 3	1	
	11 3B4-46134-00	. O-RING 1	1	
	12 3B4-46135-00	. O-RING 2	1	
	13 93105-46001	. OIL SEAL	1	
	14 3B4-46163-00	. SEAL, OIL 1	2	
	15 3B4-47359-00	. WASHER	1	
	16 1HP-4616A-00	. SERVO MOTOR COMP	1	
	17 90340-10001	. PLUG, STRAIGHT SCREW	1	
	18 90430-10003	. GASKET	1	
	19 95812-06014	. BOLT, FLANGE	3	
	20 95812-08040	. BOLT, FLANGE	5	
	21 3B4-46142-00	. RING,HOLE SNAP 1	1	
	22 4WV-46145-10	. NUT 1	1	
	23 5GH-46293-00	. TUBE	1	
	24 90340-14029	PLUG, STRAIGHT SCREW	1	

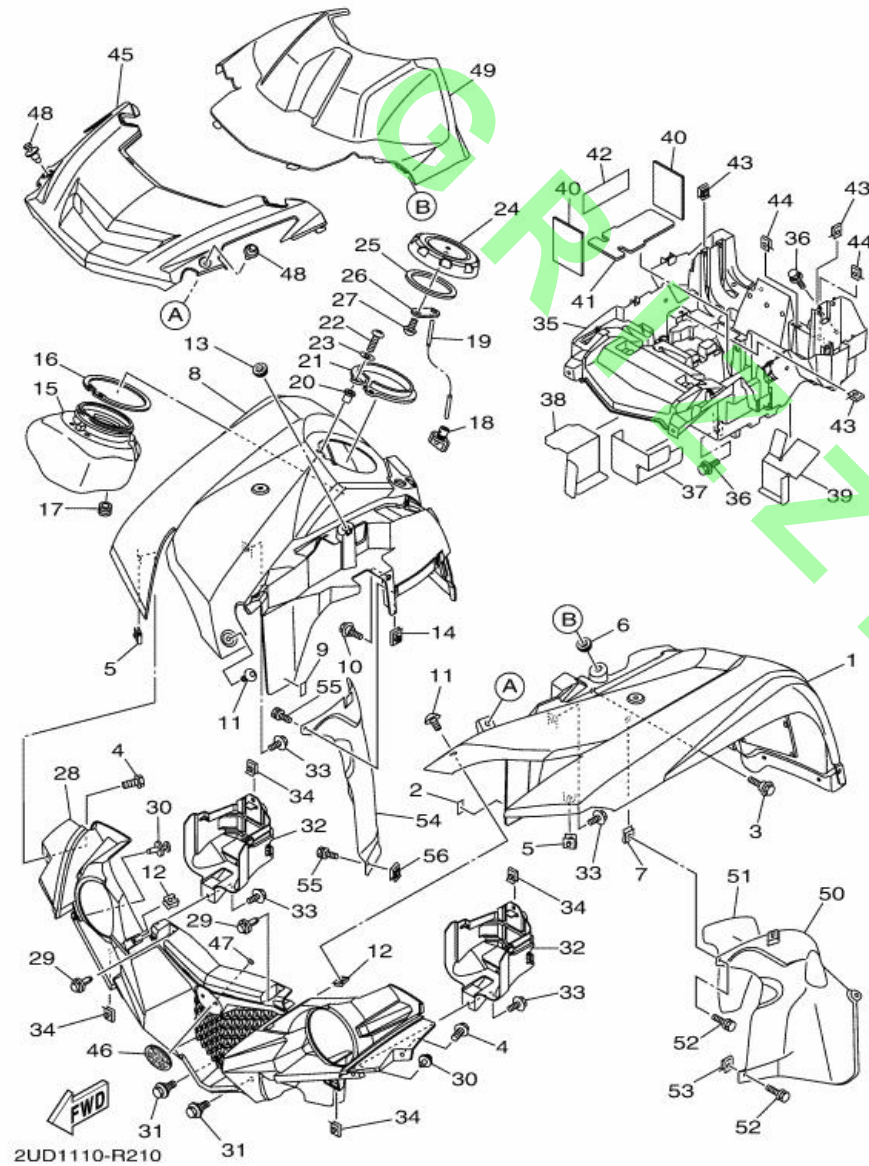
Fig. 27 FRONT DIFFERENTIAL



1DT1100-K270

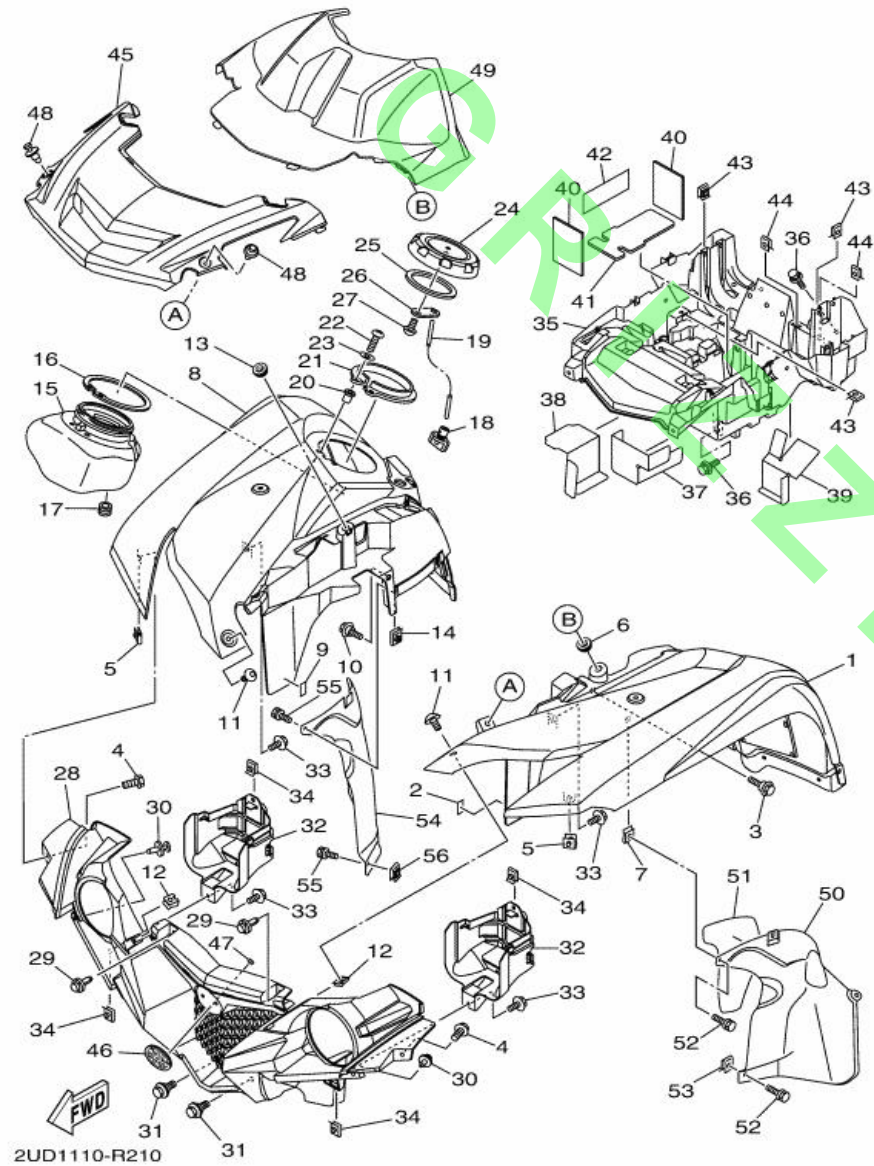
Ref. No.	Part No.	Description		Remarks
25	214-11198-01	GASKET	1	
26	90445-070F1	HOSE (L950)	1	
27	90467-07029	CLIP	1	
28	1HP-G6173-00	SHAFT, DRIVE 2	1	
29	90501-20361	SPRING, COMPRESSION	1	
30	5KM-46137-00	SEAL 2	1	
31	5KM-46136-00	SEAL 1	1	
32	99009-19400	CIRCLIP	1	
33	5KM-46126-00	COUPLING	1	
34	93410-22039	CIRCLIP	1	
35	5KM-46559-00	DAMPER	1	

Fig. 21 FRONT FENDER



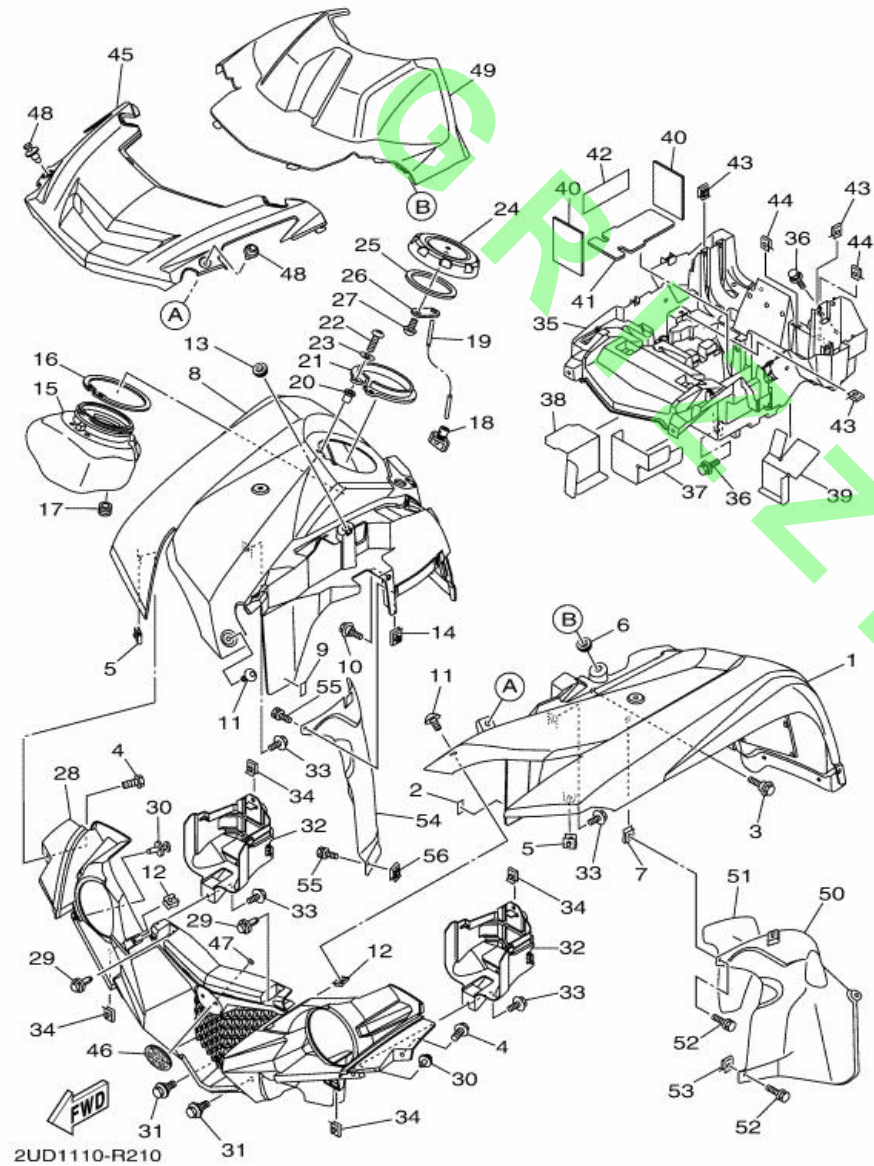
Ref. No.	Part No.	Description	Remarks
1	2UD-F1500-00	FRONT FENDER ASSY	1 UR FOR PDG
2	3B4-21541-00	DAMPER 1	1
3	90109-06043	BOLT	1
4	90119-06159	BOLT, WITH WASHER	2
5	90183-06053	NUT, SPRING	2
<hr/>			
6	90480-13398	GROMMET	1
7	90183-06053	NUT, SPRING	1
8	2UD-F1556-00	FENDER, FRONT 2	1 UR FOR PDG
9	3B4-21541-00	DAMPER 1	1
10	90109-06043	BOLT	1
<hr/>			
11	90111-06814	BOLT,HEX. SOCKET BUTTON	2
12	90183-06053	NUT, SPRING	2
13	90480-13398	GROMMET	1
14	90183-06053	NUT, SPRING	1
15	1HP-F838K-00	BOX 1	1
<hr/>			
16	3B4-2838M-00	SEAL, BOX 1	1
17	90480-13004	GROMMET	1
18	3B4-215A1-00	PLUG, DRAIN	1
19	3B4-2845L-00	STOPPER, OPEN	1
20	90179-05523	NUT	2
<hr/>			
21	3B4-2839N-00	HOLDER	1
22	98502-05016	SCREW, PAN HEAD	2
23	92902-05600	WASHER, PLATE	2
24	1HP-F151B-00	CAP	1
25	3B4-28307-00	SEAL	1
<hr/>			
26	3B4-28487-00	PLATE 2	1
27	90164-05800	SCREW, TAPPING	1

Fig. 21 FRONT FENDER



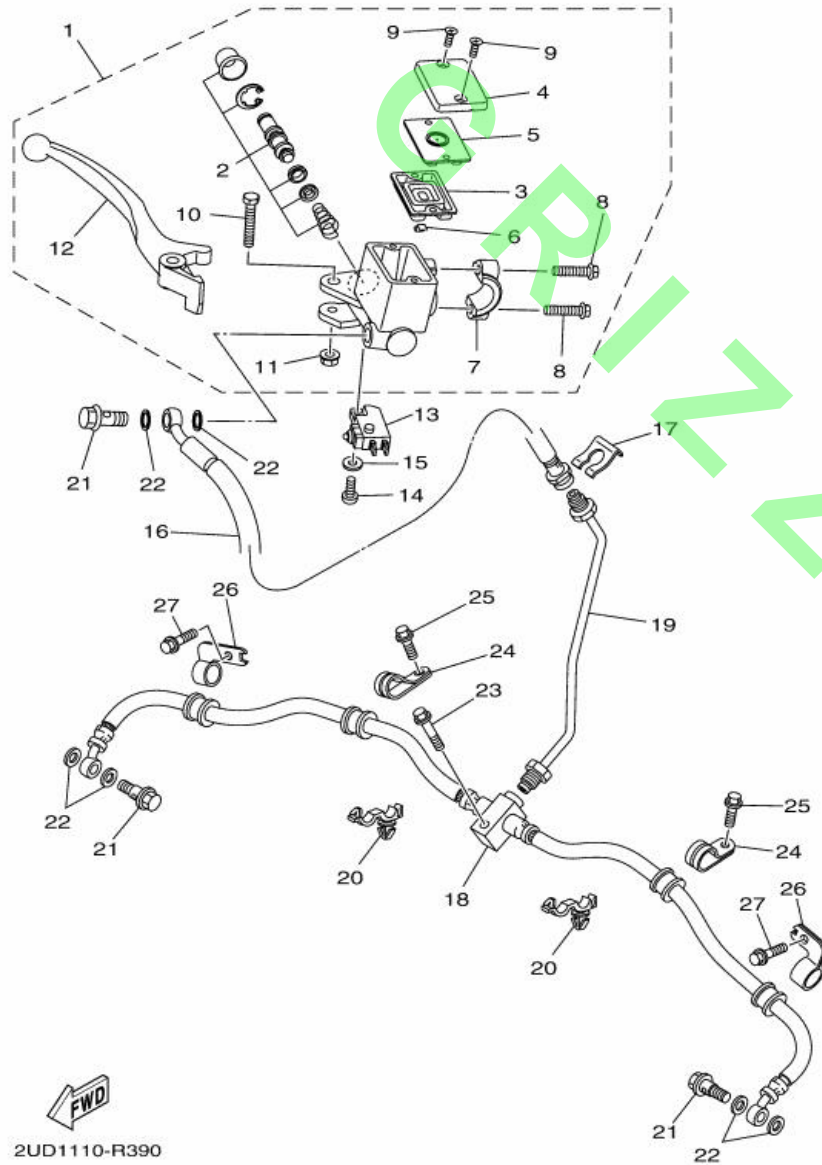
Ref. No.	Part No.	Description	Remarks
	28 2UD-F8309-00	GRILLE, FRONT	1
	29 90269-07010	RIVET	2
	30 90269-06081	RIVET	2
	31 90109-06043	BOLT	2
	32 2UD-F838E-00	COVER, HEADLIGHT	2
	33 90119-05193	BOLT, WITH WASHER	4
	34 90183-051A0	NUT, SPRING	4
	35 1HP-H212B-01	BOX, BATTERY 1	1
	36 90119-06152	BOLT, WITH WASHER	3
	37 1HP-H253E-00	INSULATOR 1	1
	38 1HP-H253F-00	INSULATOR 2	1
	39 1HP-H254E-00	INSULATOR	1
	40 3B4-8233W-10	INSU.	2
	41 3B4-82122-00	SEAT, BATTERY	1
	42 1HP-H2176-00	DAMPER	1
	43 90183-06053	NUT, SPRING	3
	44 90183-05008	NUT, SPRING	2
	45 2UD-F3391-00	PANEL, FRONT	1 UR FOR PDG
	46 2UD-F175B-00	TUNING FORK MARK	1
	47 90183-06071	NUT, SPRING	2
	48 90269-07010	RIVET	2
	49 B16-F839R-00	PANEL, ACCESSORY	1
	50 1HP-F1552-00	FENDER, INNER	1
	51 1HP-F1575-00	SEAL 1	1
	52 90119-06152	BOLT, WITH WASHER	2
	53 90183-06053	NUT, SPRING	1
	54 1HP-F1553-00	FENDER, INNER 2	1

Fig. 21 FRONT FENDER



Ref. No.	Part No.	Description	Quantity	Remarks
	55 90119-06152	BOLT, WITH WASHER	3	
	56 90183-06053	NUT, SPRING	2	

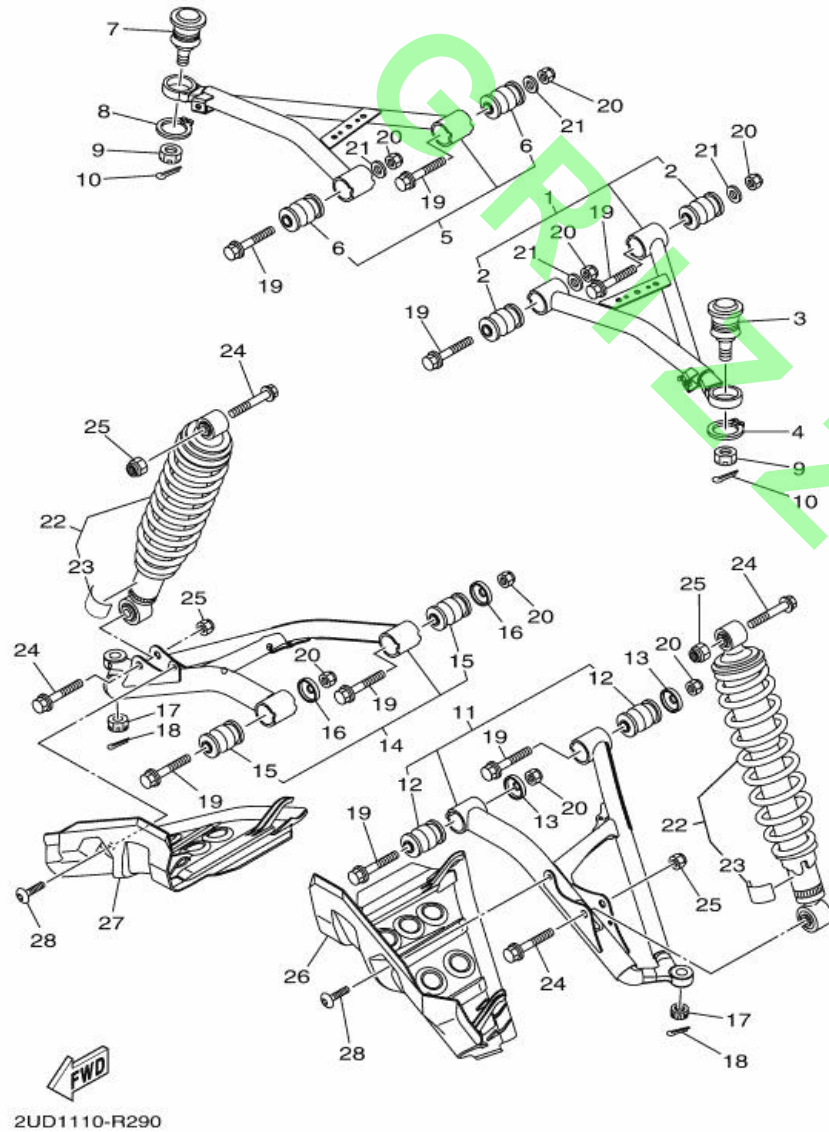
Fig. 39 FRONT MASTER CYLINDER



2UD1110-R390

Ref. No.	Part No.	Description		Remarks
1	B16-F583T-00	MASTER CYLINDER ASSY	1	
2	B16-F5807-00	. CYLINDER KIT, MASTER	1	
3	B16-F5854-00	. DIAPHRAGM, RESERVOIR	1	
4	B16-F5852-00	. CAP, RESERVOIR	1	
5	B16-F585B-00	. PLATE, DIAPHRAGM	1	
6	B16-F5889-00	. SEPARATOR	1	
7	B16-F5867-00	. BRACKET, MASTER CYLINDER	1	
8	B16-F6332-00	. BOLT	2	
9	98702-04012	. SCREW, FLAT HEAD	2	
10	B16-F589F-10	. BOLT, LEVER	1	
11	95702-06500	. NUT, FLANGE	1	
12	B16-F3922-00	. LEVER, BRAKE	1	
13	1HP-83980-01	FRONT STOP SWITCH ASSY	1	
14	98502-04012	SCREW, PAN HEAD	1	
15	92902-04600	WASHER, PLATE	1	
16	2UD-F5872-00	HOSE, BRAKE 1	1	
17	2GU-25866-00	CIRCLIP	1	
18	2BG-F5873-00	HOSE, BRAKE 2	1	
19	1HP-F5871-00	PIPE, BRAKE	1	
20	90464-20010	CLAMP	2	
21	90401-10015	BOLT, UNION	3	
22	90201-10118	WASHER, PLATE	6	
23	95812-06025	BOLT, FLANGE	1	
24	3B4-25886-00	HOLDER, BRAKE HOSE	2	
25	95812-06012	BOLT, FLANGE	2	
26	2PG-25876-00	HOLDER, BRAKE HOSE 2	2	
27	95812-06012	BOLT, FLANGE	2	

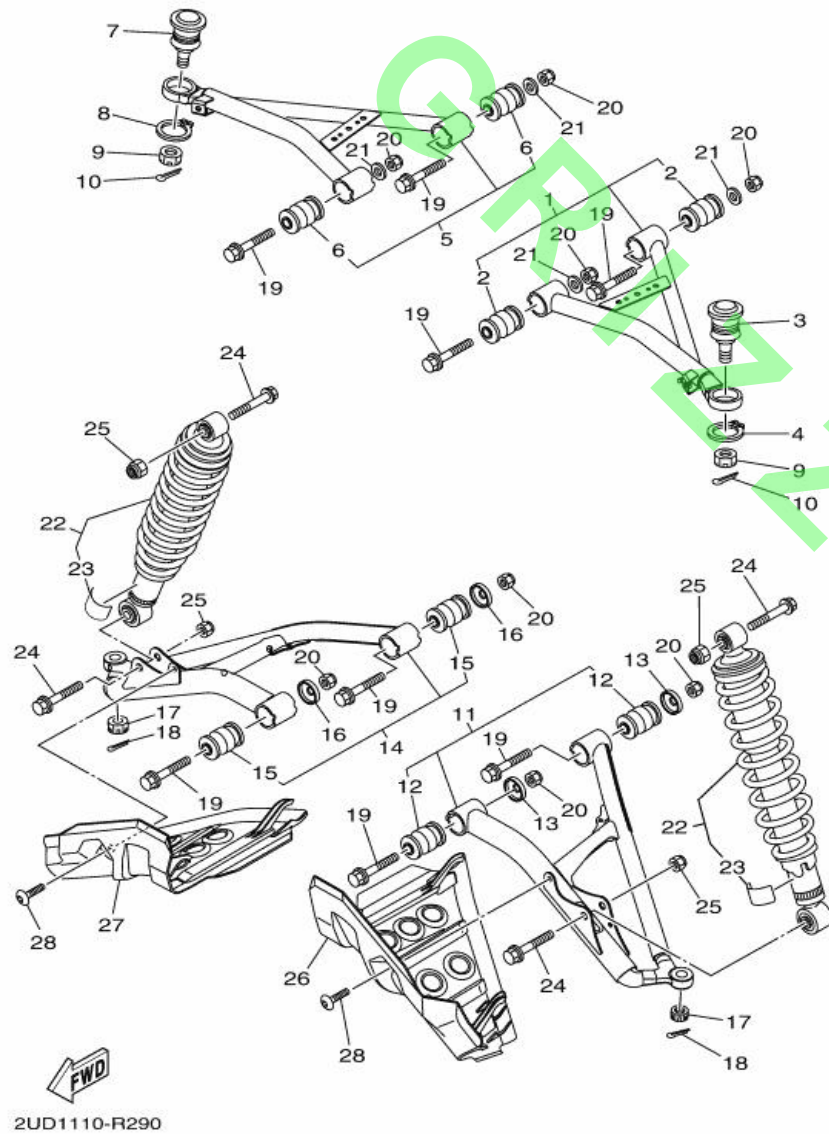
Fig. 29 FRONT SUSPENSION & WHEEL



2UD1110-R290

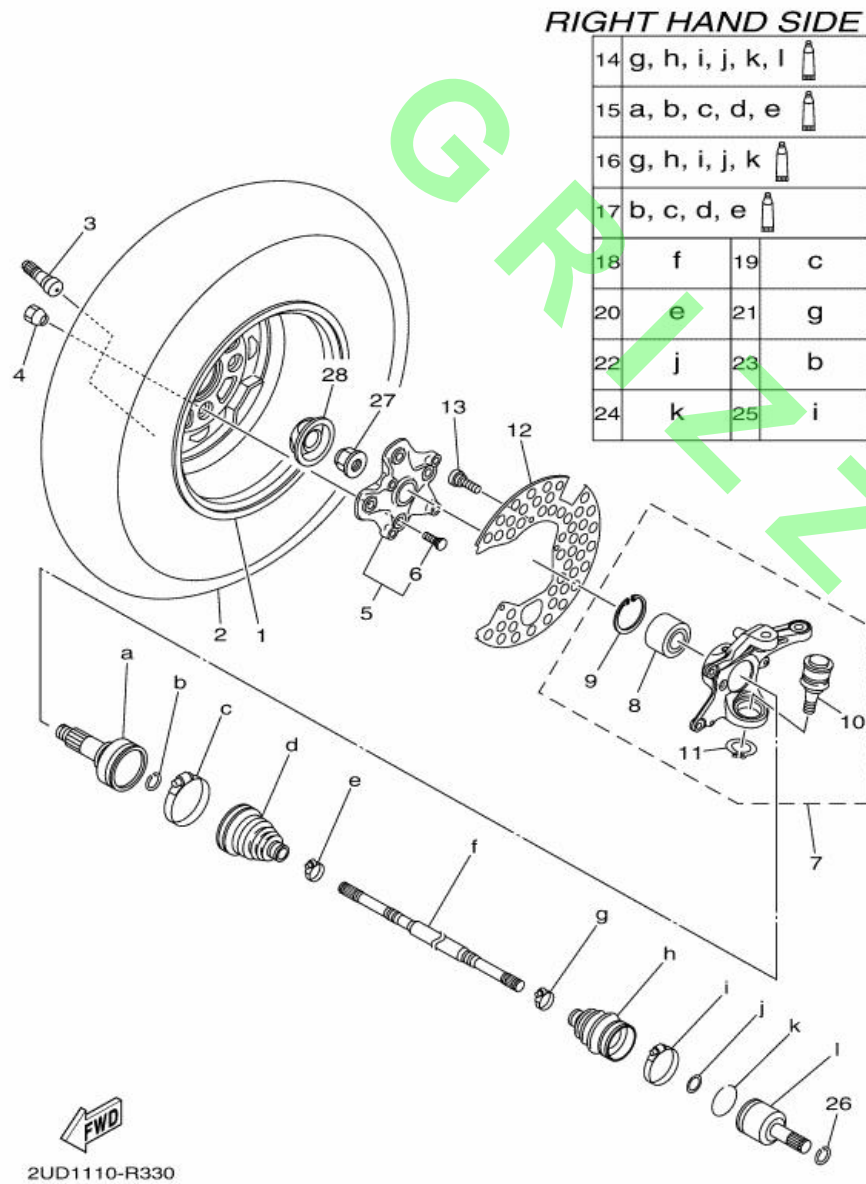
Ref. No.	Part No.	Description		Remarks
1	2BG-F3540-00	FRONT UPPER ARM COMP. (LEFT)	1	
2	1HP-F3526-00	. BUSH	2	
3	3B4-23579-01	BALL JOINT 2	1	
4	99009-30400	CIRCLIP	1	
5	2BG-F3550-00	FRONT UPPER ARM COMP. (RIGHT)	1	
6	1HP-F3526-00	. BUSH	2	
7	3B4-23579-01	BALL JOINT 2	1	
8	99009-30400	CIRCLIP	1	
9	90171-12001	NUT, CASTLE	2	
10	91490-25020	PIN. COTTER	2	
11	2BG-F3570-00	FRONT LOWER ARM COMP. (LEFT)	1	
12	1HP-F3526-00	. BUSH	2	
13	5KM-22149-10	WASHER	2	
14	2BG-F3580-00	FRONT LOWER ARM COMP. (RIGHT)	1	
15	1HP-F3526-00	. BUSH	2	
16	5KM-22149-10	WASHER	2	
17	90171-12001	NUT, CASTLE	2	
18	91490-25020	PIN. COTTER	2	
19	90105-10011	BOLT, FLANGE	8	
20	90185-10012	NUT, SELF-LOCKING	8	
21	90201-10035	WASHER, PLATE	4	
22	2UD-F3390-10	SHOCK ABSORBER ASSY 2	2	
23	1HP-F2259-11	. LABEL, WARNING	1	
24	90105-10131	BOLT, FLANGE	4	
25	90185-10012	NUT, SELF-LOCKING	4	
26	2BG-F3123-00	COVER, UNDER 1	1	
27	2BG-F3133-00	COVER, LOWER 2	1	

Fig. 29 FRONT SUSPENSION & WHEEL



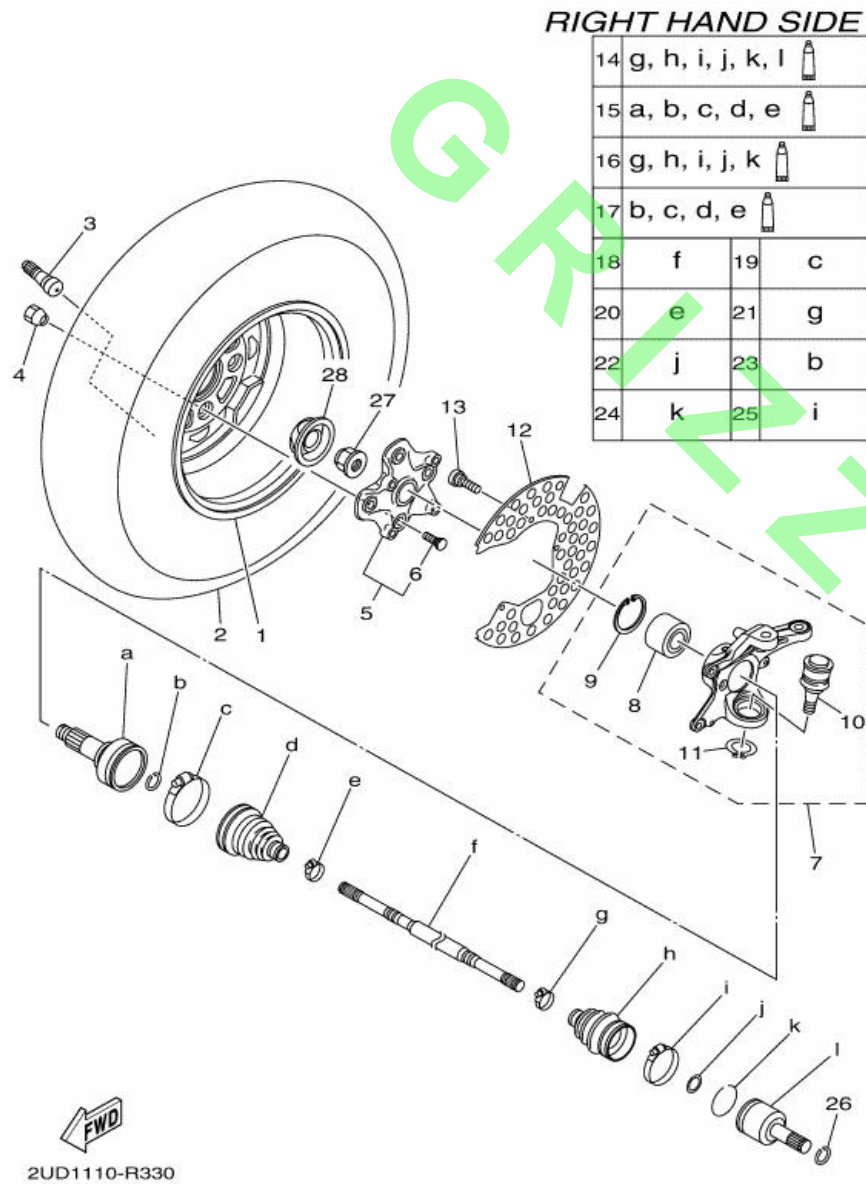
Ref. No.	Part No.	Description	Quantity	Remarks
	28 90109-06264	BOLT	2	
<hr/>				
<hr/>				
<hr/>				
<hr/>				
<hr/>				
<hr/>				
<hr/>				
<hr/>				
<hr/>				

Fig. 33 FRONT WHEEL 2



Ref. No.	Part No.	Description		Remarks
1	B16-F5180-00	WHEEL COMP.	1	
2	94108-12822	TIRE (AT26X8-12 MU05Y**TL)	1	
3	93900-00813	VALVE, RIM (TR413)	1	MAXXIS
4	90179-10020	NUT	4	
5	B16-F510D-00	HUB ASSY 2	1	
<hr/>				
6	90114-10014	. BOLT, SERRATION	4	
7	2BG-F3502-10	STEERING KNUCKLE ASSY (RIGHT)	1	
8	93305-00602	. BEARING	1	
9	99009-55500	. CIRCLIP	1	
10	3B4-23579-01	. BALL JOINT 2	1	
<hr/>				
11	99009-30400	. CIRCLIP	1	
12	1HP-F514A-00	RING, WHEEL 1	1	
13	98902-06010	SCREW, BIND	3	
14	2UD-2510J-00	DOUBLE OFF SET JOINT	1	
15	2UD-2510F-00	BALL JOINT SET	1	
<hr/>				
16	2UD-2510H-00	BOOT SET(DOUBLE OFFSET JOINT)	1	
17	2UD-2510G-00	BOOT SET (BALL JOINT)	1	
18	2UD-2518E-00	SHAFT	1	
19	2UD-2511H-00	BOOT BAND(DOUBLE OFFSET JOINT)	1	
20	2UD-2512G-00	BOOT BAND (SMALL)	1	
<hr/>				
21	2UD-2512G-10	BOOT BAND (SMALL)	1	
22	3B4-2512J-00	SNAP RING	1	
23	2UD-2512H-00	CIRCLIP	1	
24	3B4-25182-00	CIRCLIP	1	
25	2UD-2511H-10	BOOT BAND(DOUBLE OFFSET JOINT)	1	
<hr/>				
26	93450-22119	CIRCLIP	1	
27	90179-20016	NUT	1	

Fig. 33 FRONT WHEEL 2



Ref. No.	Part No.	Description	Remarks
	28	1HP-F512A-00 CAP, WHEEL	1
<hr/>			
<hr/>			
<hr/>			
<hr/>			
<hr/>			
<hr/>			
<hr/>			
<hr/>			
<hr/>			
<hr/>			

Fig. 32 FRONT WHEEL

Ref. No.	Part No.	Description		Remarks
1	B16-F5180-00	WHEEL COMP.	1	
2	94108-12822	TIRE (AT26X8-12 MU05Y**TL)	1	
3	93900-00813	VALVE, RIM (TR413)	1	MAXXIS
4	90179-10020	NUT	4	
5	B16-F510D-00	HUB ASSY 2	1	
<hr/>				
6	90114-10014	. BOLT, SERRATION	4	
7	2BG-F3501-10	STEERING KNUCKLE ASSY (LEFT)	1	
8	93305-00602	. BEARING	1	
9	99009-55500	. CIRCLIP	1	
10	3B4-23579-01	. BALL JOINT 2	1	
<hr/>				
11	99009-30400	. CIRCLIP	1	
12	1HP-F514A-00	RING, WHEEL 1	1	
13	98902-06010	SCREW, BIND	3	
14	2UD-2510J-00	DOUBLE OFF SET JOINT	1	
15	2UD-2510F-00	BALL JOINT SET	1	
<hr/>				
16	2UD-2510H-00	BOOT SET(DOUBLE OFFSET JOINT)	1	
17	2UD-2510G-00	BOOT SET (BALL JOINT)	1	
18	2UD-2518E-00	SHAFT	1	
19	2UD-2511H-00	BOOT BAND(DOUBLE OFFSET JOINT)	1	
20	2UD-2512G-00	BOOT BAND (SMALL)	1	
<hr/>				
21	2UD-2512G-10	BOOT BAND (SMALL)	1	
22	3B4-2512J-00	SNAP RING	1	
23	2UD-2512H-00	CIRCLIP	1	
24	3B4-25182-00	CIRCLIP	1	
25	2UD-2511H-10	BOOT BAND(DOUBLE OFFSET JOINT)	1	
<hr/>				
26	93450-22119	CIRCLIP	1	
27	90179-20016	NUT	1	

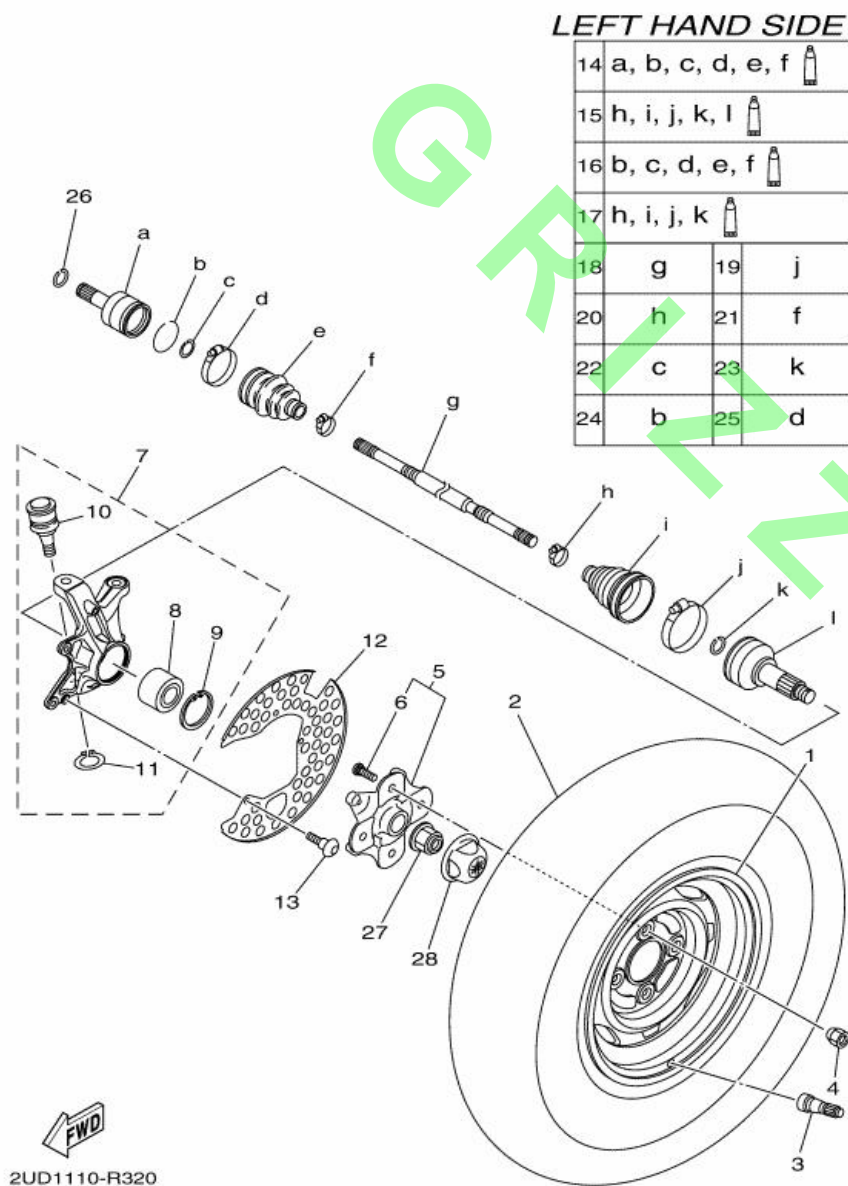


Fig. 32 FRONT WHEEL

Ref. No.	Part No.	Description	Quantity	Remarks
	28	1HP-F512A-00	1	CAP, WHEEL
<hr/>				
<hr/>				
<hr/>				
<hr/>				
<hr/>				
<hr/>				
<hr/>				
<hr/>				
<hr/>				
<hr/>				

LEFT HAND SIDE

14	a, b, c, d, e, f		
15	h, i, j, k, l		
16	b, c, d, e, f		
17	h, i, j, k		
18	g	19	j
20	h	21	f
22	c	23	k
24	b	25	d

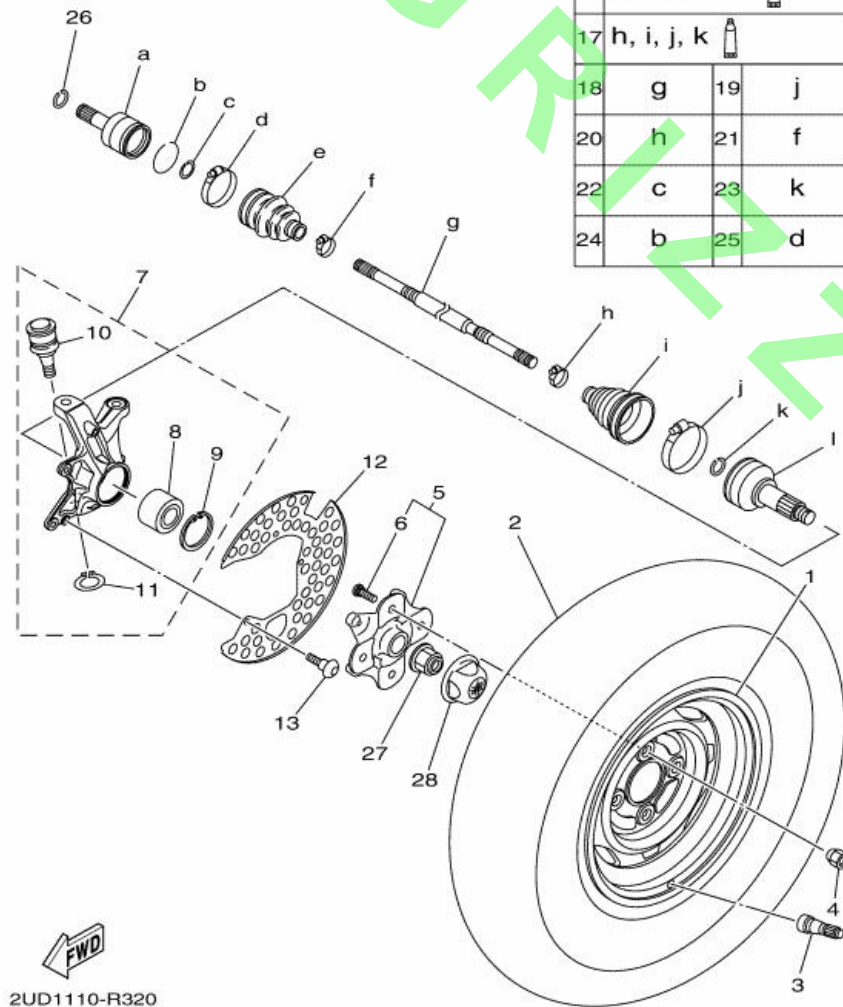
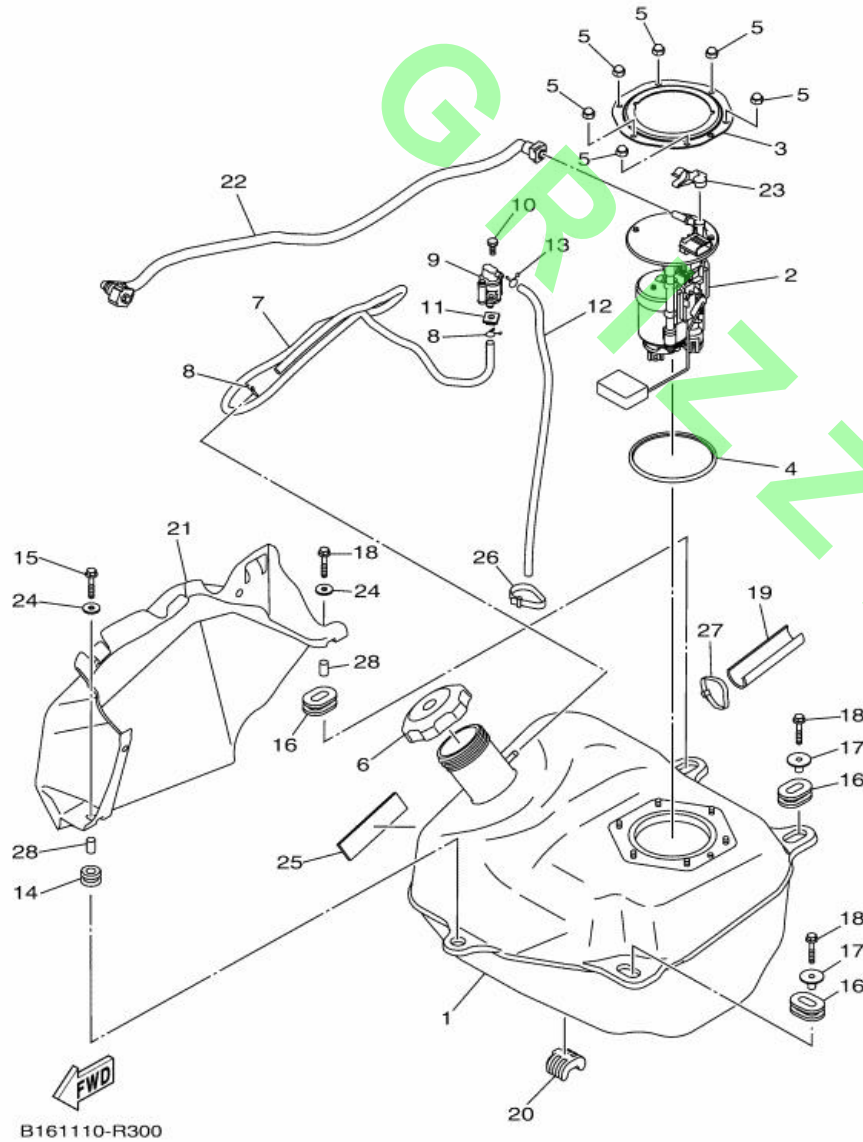


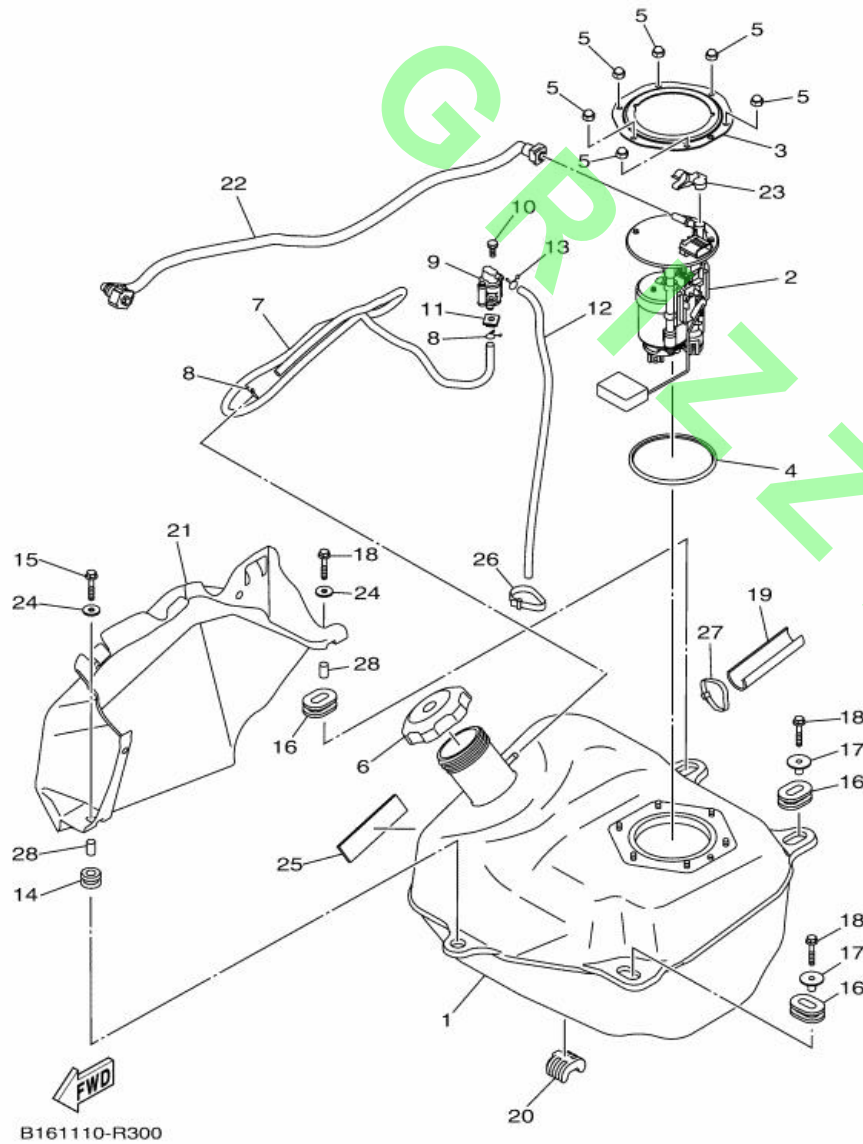
Fig. 30 FUEL TANK



B161110-R300

Ref. No.	Part No.	Description		Remarks
1	B16-F4110-00	FUEL TANK COMP.	1	
2	B16-13907-00	FUEL PUMP COMP.	1	
3	3B4-24491-00	BRACKET, FUEL PUMP	1	
4	1S3-24486-00	O-RING	1	
5	95302-06800	NUT, CROWN	6	
6	2P5-24610-00	CAP ASSY	1	
7	90445-09829	HOSE (L1030)	1	
8	90467-09006	CLIP	2	
9	28P-24380-00	PIPE JOINT ASSY	1	
10	97002-06016	BOLT, HEXAGON	1	
11	90183-061A3	NUT, SPRING	1	
12	90445-09828	HOSE (L470)	1	
13	90467-09006	CLIP	1	
14	90480-18290	GROMMET	1	
15	95802-06035	BOLT, FLANGE	1	
16	90480-01400	GROMMET	3	
17	90387-07021	COLLAR	2	
18	95802-06035	BOLT, FLANGE	3	
19	B16-F4182-01	DAMPER, LOCATING 2	1	
20	B16-F4181-00	DAMPER, LOCATING 1	1	
21	B16-F4141-00	PROTECTOR, FUEL TANK	1	
22	B16-13971-00	PIPE, FUEL 1	1	
23	90464-14004	CLAMP	1	
24	90201-06036	WASHER, PLATE	2	
25	2PA-21541-00	DAMPER 1	1	
26	90464-25003	CLAMP	1	
27	90464-32801	CLAMP	1	

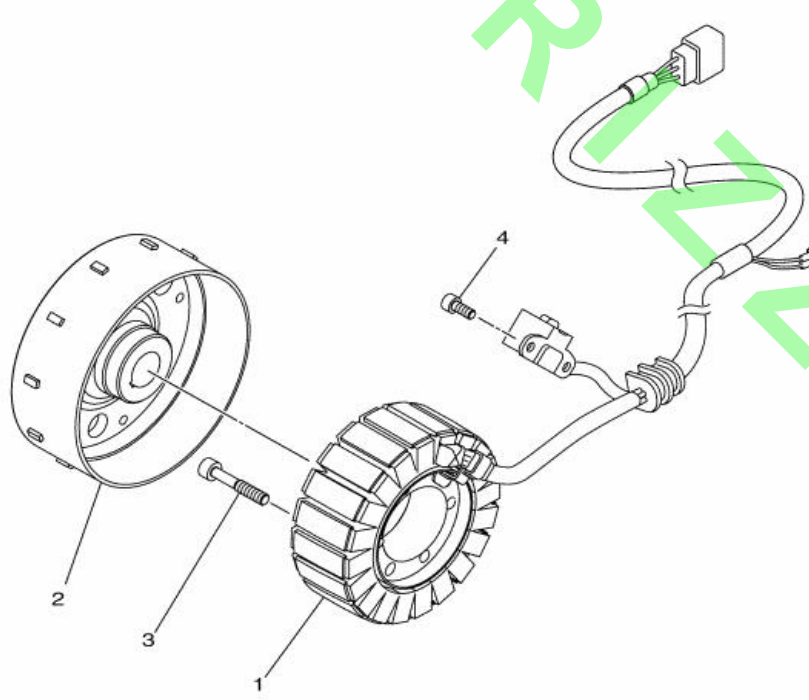
Fig. 30 FUEL TANK



Ref. No.	Part No.	Description	Remarks
	28 90387-06M19	COLLAR	2

Fig. 43 GENERATOR

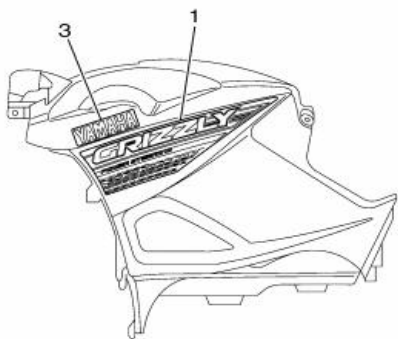
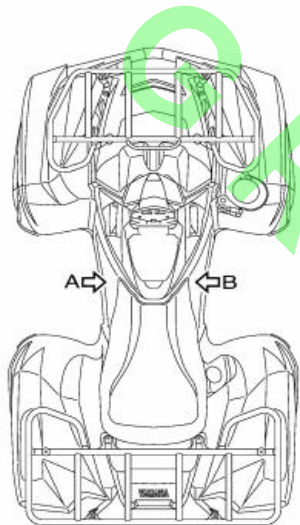
Ref. No.	Part No.	Description	Quantity	Remarks
1	B16-H1410-00	STATOR ASSY	1	
2	2MB-H1450-00	ROTOR ASSY	1	
3	2MB-E6777-20	BOLT	3	
4	2MB-E5187-00	BOLT	2	



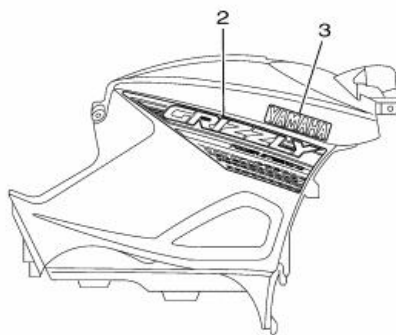
B161110-R410

Fig. 50 GRAPHICS

Ref. No.	Part No.	Description		Remarks
1	2UD-F1781-00	EMBLEM 1	1	
2	2UD-F1782-00	EMBLEM 2	1	
3	5UH-F173B-21	EMBLEM 3D	2	
<hr/>				
<hr/>				
<hr/>				
<hr/>				
<hr/>				
<hr/>				
<hr/>				
<hr/>				
<hr/>				



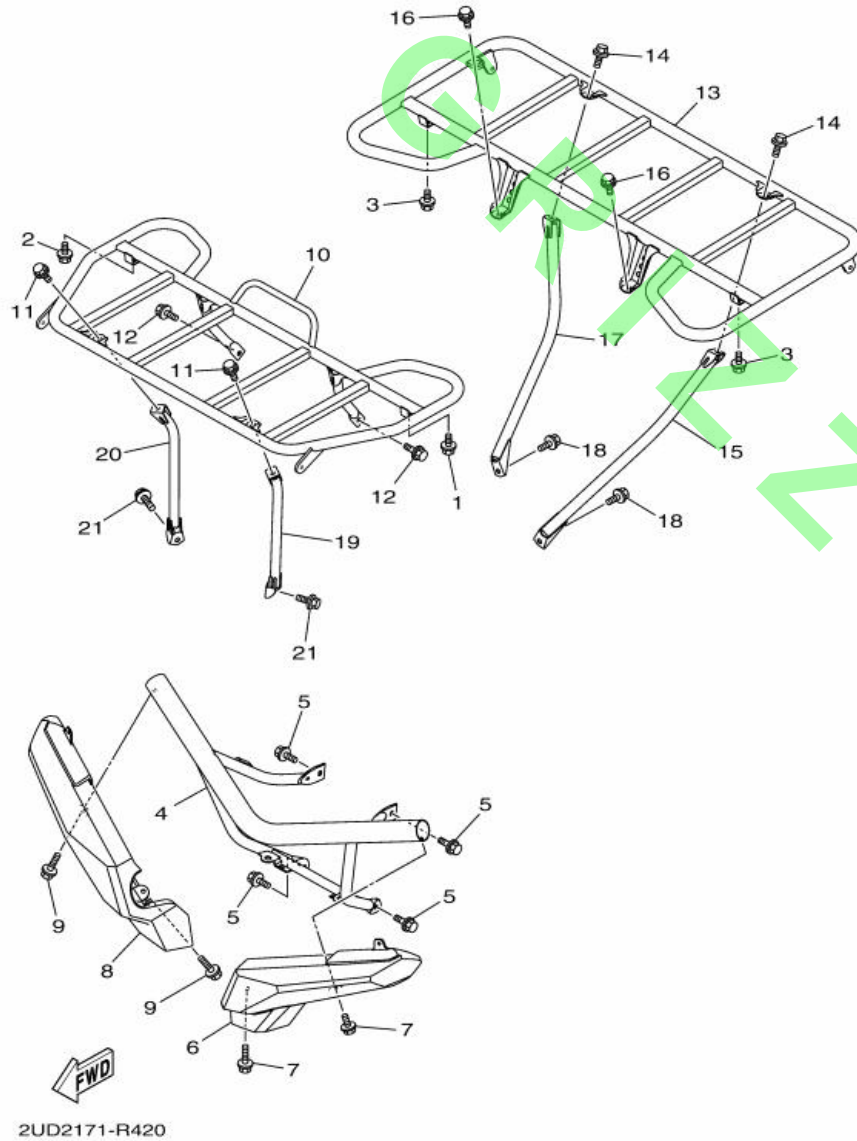
VIEW A



VIEW B

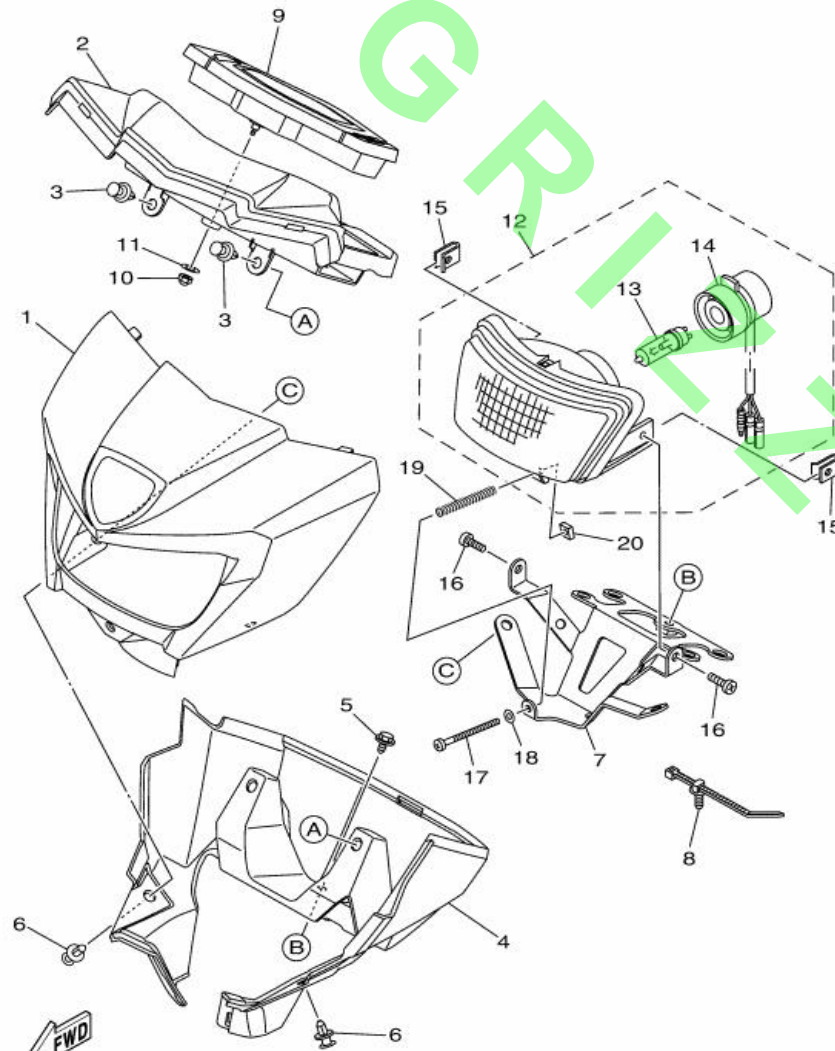
2UD1110-R490

Fig. 42 GUARD



Ref. No.	Part No.	Description	Quantity	Remarks
1	90119-06152	BOLT, WITH WASHER	1	
2	90119-06152	BOLT, WITH WASHER	1	
3	90119-06152	BOLT, WITH WASHER	2	
4	2UD-F845N-00	BAR, CARRY FRONT	1	
5	95812-08014	BOLT, FLANGE	4	
<hr/>				
6	2UD-F842M-00	COVER 1	1	
7	90119-06868	BOLT, WITH WASHER	2	
8	2UD-F842N-00	COVER 2	1	
9	90119-06868	BOLT, WITH WASHER	2	
10	2UD-F4841-10	CARRIER, FRONT	1	
<hr/>				
11	95812-08012	BOLT, FLANGE	2	
12	90119-08118	BOLT, WITH WASHER	2	
13	2UD-F4842-10	CARRIER, REAR	1	
14	95812-08014	BOLT, FLANGE	2	
15	2UD-F482J-00	FRAME, CARRIER 1	1	
<hr/>				
16	90119-10044	BOLT, WITH WASHER	2	
17	2UD-F482K-00	FRAME, CARRIER 2	1	
18	90119-10044	BOLT, WITH WASHER	2	
19	2UD-F2815-00	FRAME, CARRIER 1	1	
20	2UD-F2816-00	FRAME, CARRIER 2	1	
<hr/>				
21	95812-08014	BOLT, FLANGE	2	
<hr/>				

Fig. 46 HEADLIGHT 2

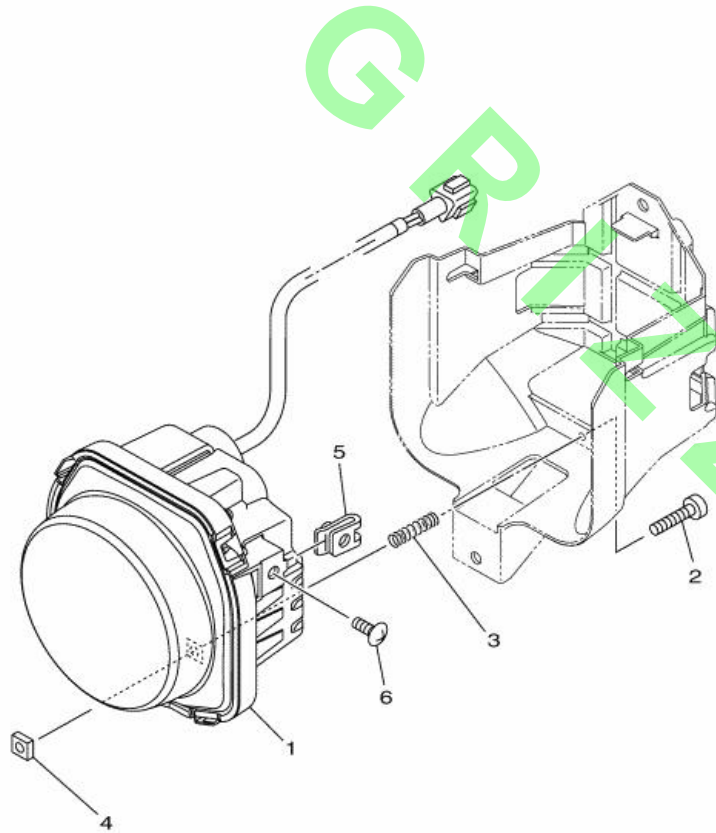


2SM1110-R440

Ref. No.	Part No.	Description	Remarks
1	2SM-H4144-00	COVER, HEADLIGHT	1 UR FOR PDG
2	2UD-H3559-00	COVER, METER	1
3	90269-07010	RIVET	2
4	2SM-F6143-00	COVER, HANDLE UPPER 1	1
5	90119-06079	BOLT, WITH WASHER	1
6	90269-07010	RIVET	2
7	2SM-F6292-00	STAY	1
8	1NS-F1338-00	CLAMP	2
9	2UD-83500-00	METER ASSY	1
10	95302-05800	NUT, CROWN	3
11	90201-05039	WASHER, PLATE	3
12	2PA-84300-00	HEADLIGHT ASSY	1
13	5VM-84314-00	. BULB, HEADLIGHT(12V-35/36.5W)	1 HALOGEN
14	2PA-84340-00	. SOCKET CORD ASSY 1	1
15	5VM-84117-00	NUT	2
16	98502-05012	SCREW, PAN HEAD	2
17	5BF-8433E-00	SCREW, ADJUSTING	1
18	92902-04600	WASHER, PLATE	1
19	90501-100A3	SPRING, COMPRESSION	1
20	5VM-84334-00	NUT, ADJUSTING	1

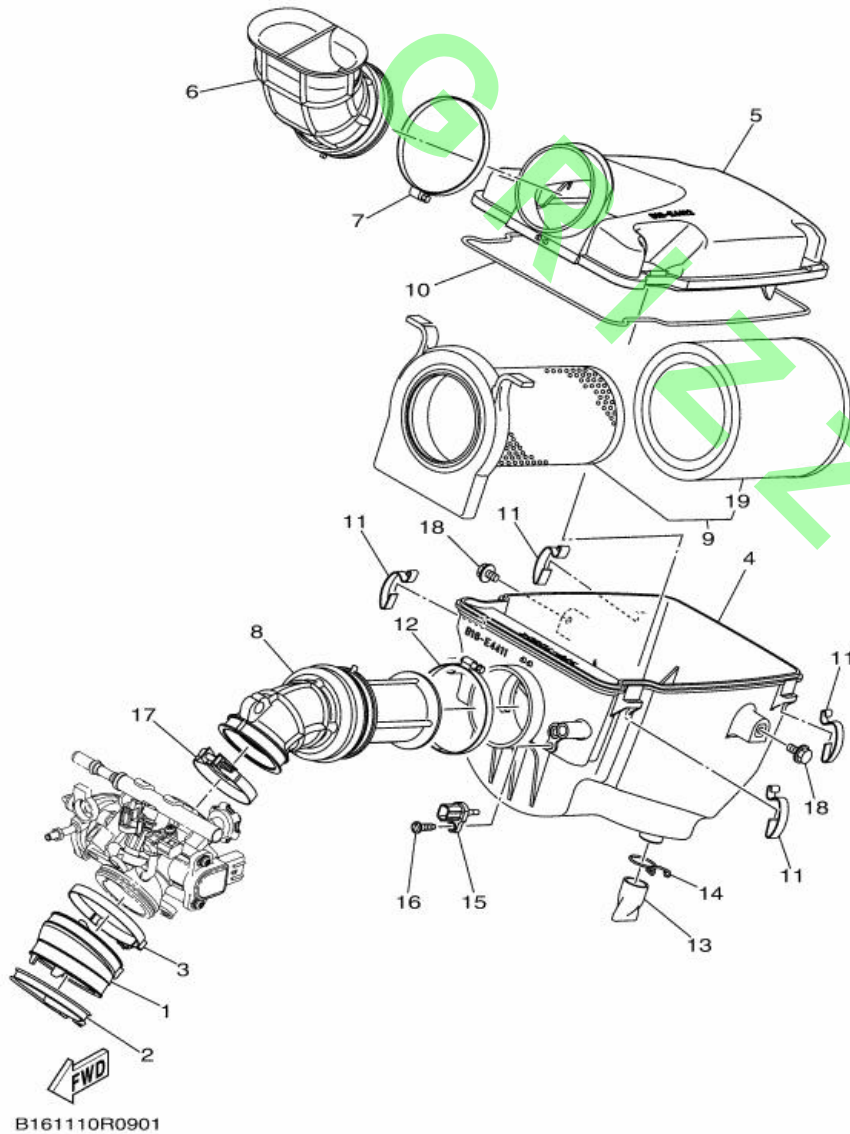
Fig. 45 HEADLIGHT

Ref. No.	Part No.	Description		Remarks
1	2UD-84300-00	HEADLIGHT ASSY	2	
2	98502-03540	SCREW, PAN HEAD	2	
3	90501-08665	SPRING, COMPRESSION	2	
4	2GU-84334-00	NUT, ADJUSTING	2	
5	90183-05008	NUT, SPRING	4	
6	90154-05021	SCREW, BINDING	4	



2UD1110-R450

Fig. 09 INTAKE



Ref. No.	Part No.	Description		Remarks
1	2MB-E3586-00	JOINT, CARBURETOR 1	1	
2	2MB-E1388-00	CLAMP, HOSE 2	1	
3	90450-72004	HOSE CLAMP ASSY	1	
4	B16-E4411-00	CASE, AIR CLEANER 1	1	
5	B16-E4412-00	CAP, CLEANER CASE 1	1	
<hr/>				
6	B16-E4437-10	DUCT	1	
7	B16-E4455-00	BAND	1	
8	B16-E4453-00	JOINT, AIR CLEANER 1	1	
9	B16-E4450-00	ELEMENT ASSY, AIR CLEANER	1	
10	B16-E4457-00	SEAL	1	
<hr/>				
11	B16-E4424-00	CLIP, CAP FITTING	4	
12	B16-E4456-00	BAND	1	
13	B16-E443E-00	PIPE, DRAIN	1	
14	90467-220A1	CLIP	1	
15	8FP-85886-00	SENSOR, AIR TEMPERATURE	1	
<hr/>				
16	97702-50520	SCREW, TAPPING	1	
17	90450-59009	HOSE CLAMP ASSY	1	
18	95812-06010	BOLT, FLANGE	2	
19	B16-E4451-00	. ELEMENT, AIR CLEANER	1	
<hr/>				

Fig. 52 MAINTENANCE PARTS KIT

Ref. No.	Part No.	Description		Remarks
1	17S-WB024-00	WHEEL BEARING KIT	2	AP
2	93305-00602	. BEARING	2	

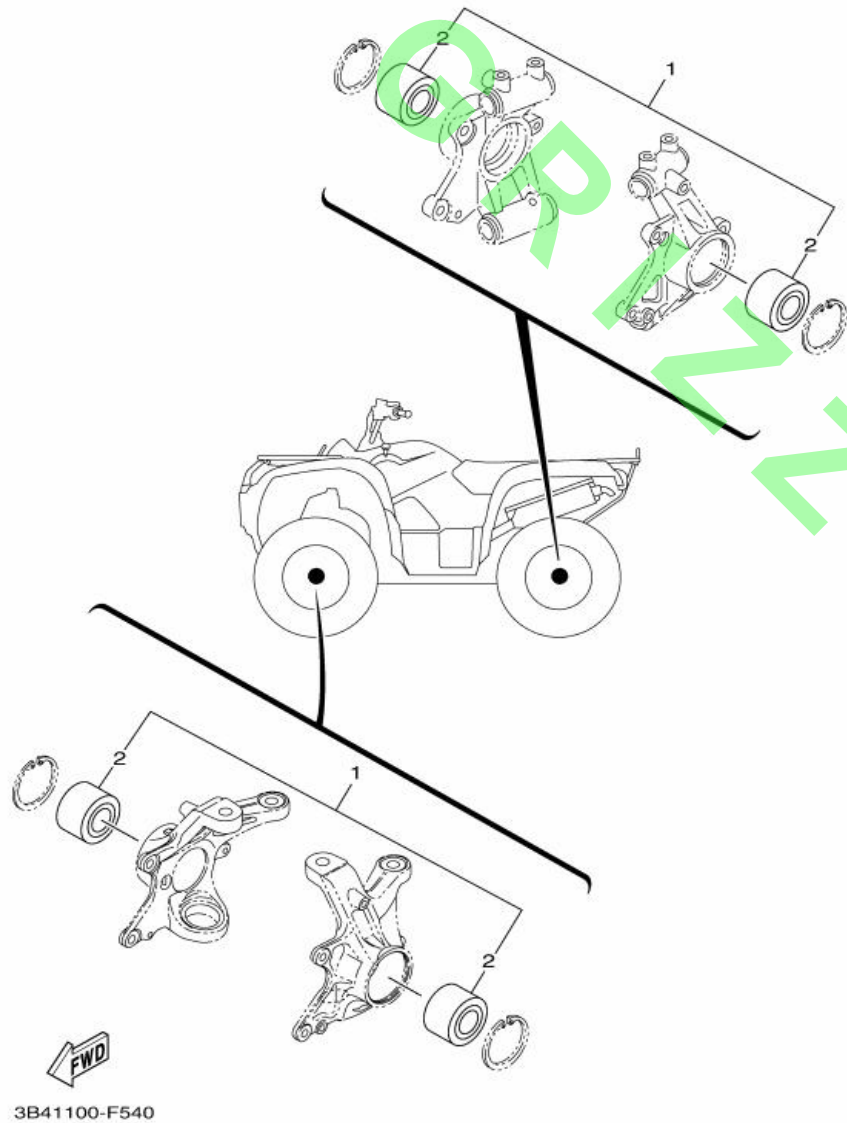
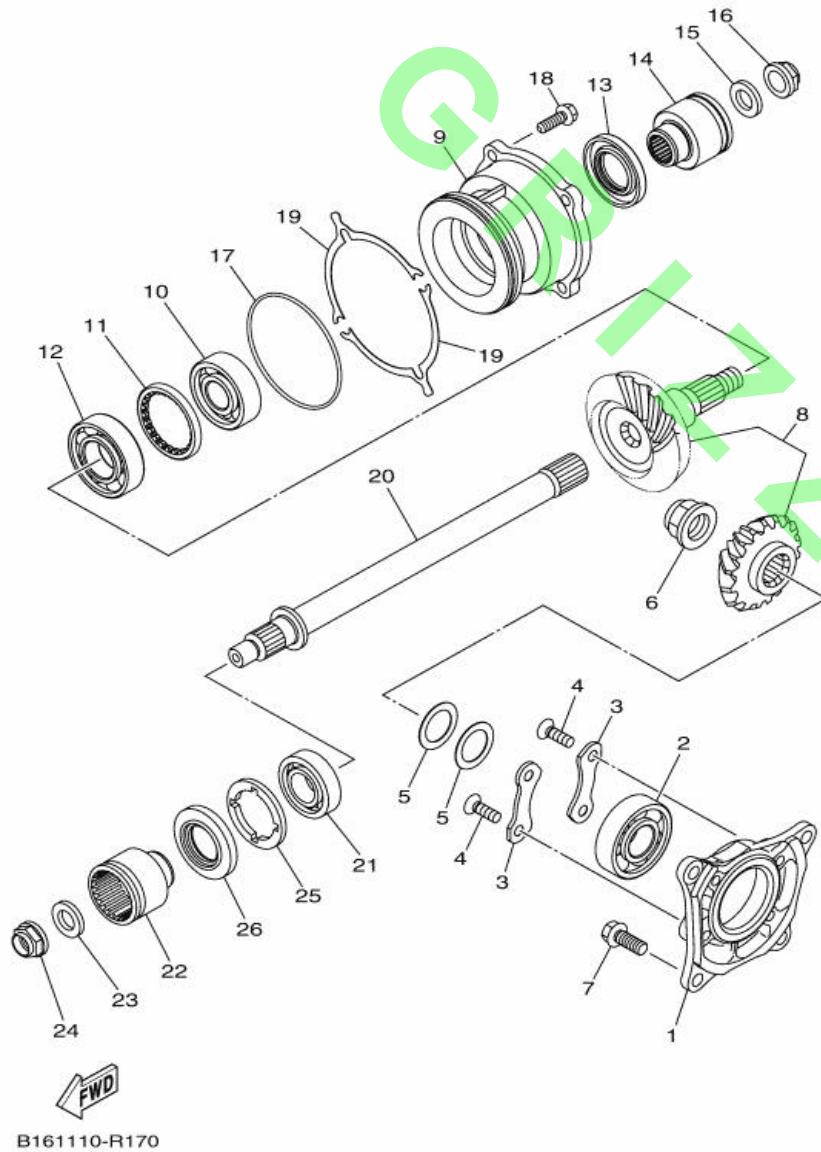
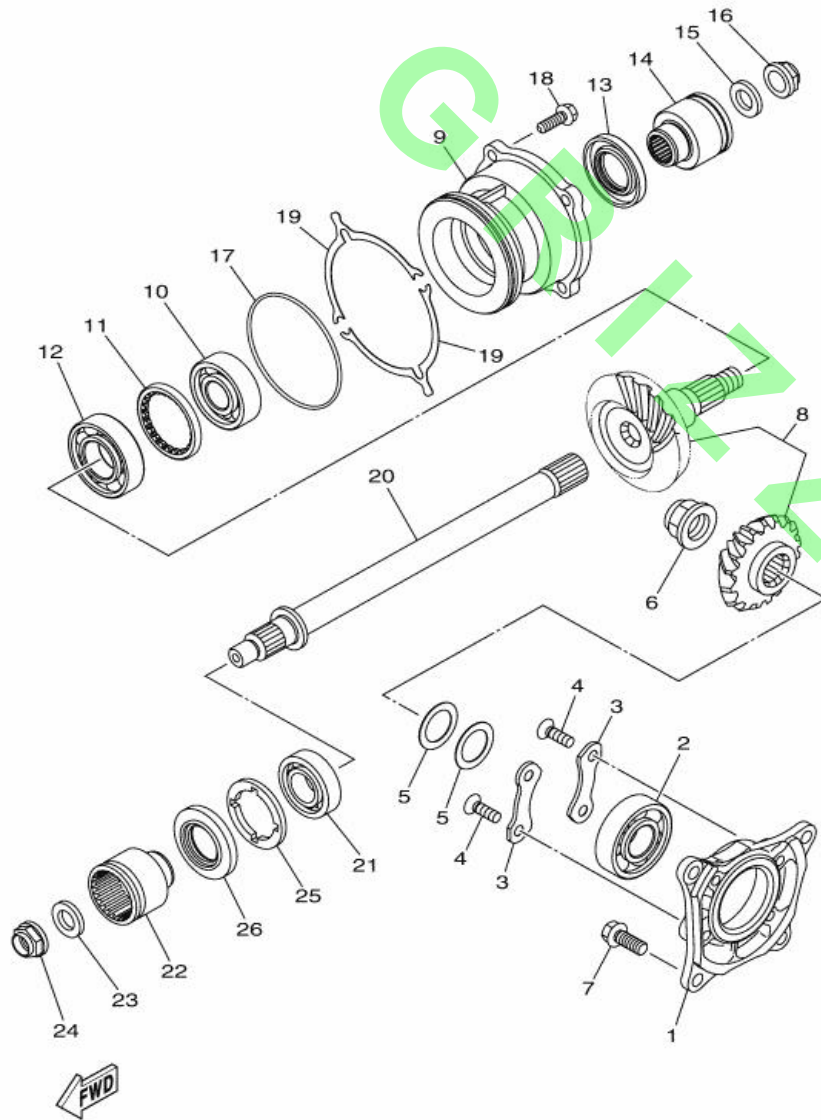


Fig. 17 MIDDLE DRIVE GEAR



Ref. No.	Part No.	Description		Remarks
	1 B16-E7521-00	HOUSING, BEARING	1	
	2 2MB-E7412-00	BEARING	1	
	3 2MB-E5383-00	PLATE, BEARING COVER	2	
	4 2MB-E765G-00	SCREW, FIXED	4	
	5 2MB-E7417-50	SHIM 1 (0.5T)	2	UR
	2MB-E7417-60	SHIM 1 (0.55T)	2	UR
	2MB-E7417-70	SHIM 1 (0.6T)	2	UR
	2MB-E7417-80	SHIM 1 (0.7T)	2	UR
	2MB-E7417-90	SHIM 1 (0.8T)	2	UR
	2MB-E7417-A0	SHIM 1 (0.9T)	2	UR
	2MB-E7417-B0	SHIM 1 (1.0T)	2	UR
	6 2MB-E7463-00	NUT, LOCK	1	
	7 2MB-E22A1-00	BOLT 2	4	
	8 B16-17530-00	PINION SET	1	
	9 2MB-E7551-00	HOUSING, BEARING	1	
	10 2MB-E7413-00	BEARING 2	1	
	11 2MB-E7589-00	NUT	1	
	12 2MB-E7422-00	BEARING 1	1	
	13 2MB-E7499-00	OIL SEAL	1	
	14 2MB-E7832-00	COUPLING	1	
	15 B16-E7058-00	WASHER,1	1	
	16 2MB-E6647-00	NUT	1	
	17 2MB-E76F4-00	O-RING	1	
	18 2MB-E2615-00	BOLT	4	
	19 2MB-E7531-00	SHIM, PINION (0.1T)	2	UR
	2MB-E7531-10	SHIM, PINION (0.15T)	2	UR
	2MB-E7531-20	SHIM, PINION (0.2T)	2	UR

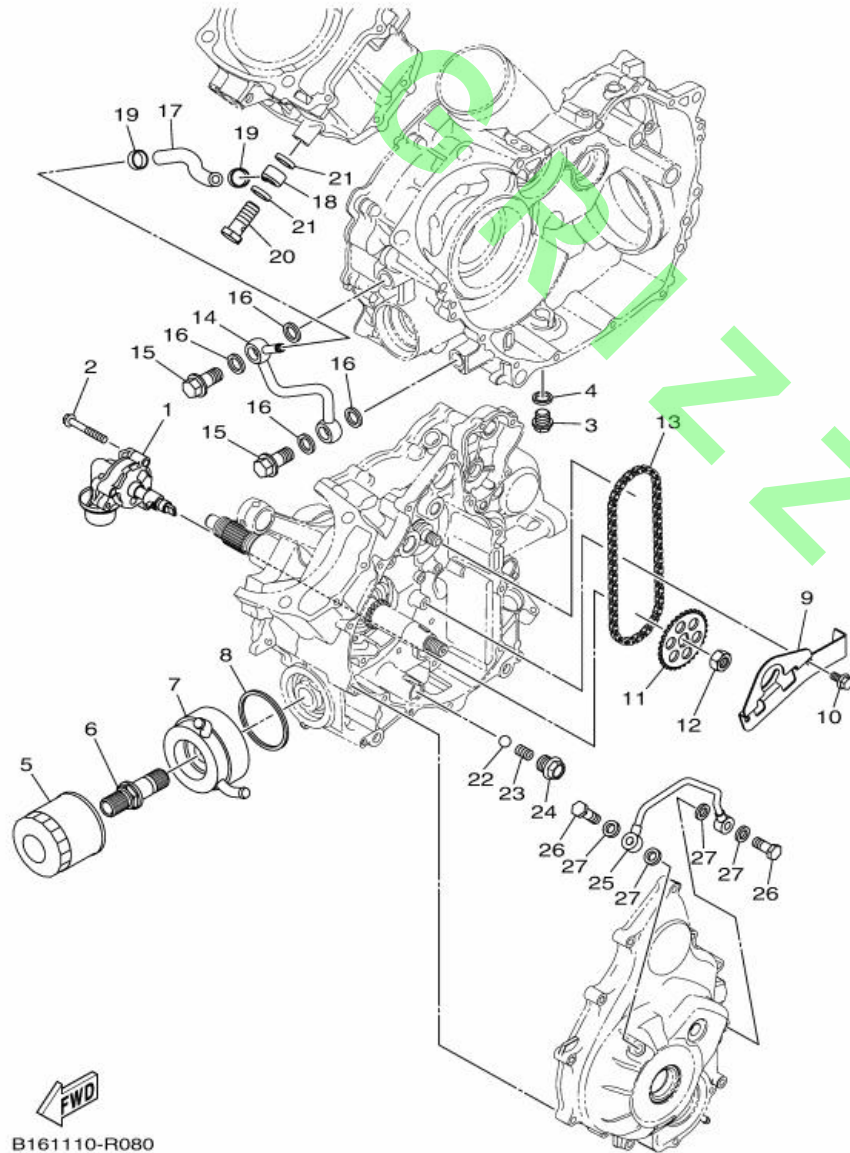
Fig. 17 MIDDLE DRIVE GEAR



B161110-R170

Ref. No.	Part No.	Description		Remarks
	2MB-E7531-30	SHIM, PINION (0.3T)	2	UR
	2MB-E7531-40	SHIM, PINION (0.4T)	2	UR
	2MB-E7531-50	SHIM, PINION (0.5T)	2	UR
	2MB-E7531-60	SHIM, PINION (0.6T)	2	UR
	20 B16-E761A-00	SHAFT 1	1	
	21 2MB-E7423-00	BEARING 2	1	
	22 2MB-E7832-00	COUPLING	1	
	23 B16-E7058-00	WASHER,1	1	
	24 2MB-E6647-00	NUT	1	
	25 2MB-E7642-00	NUT, BEARING	1	
	26 2MB-E7499-00	OIL SEAL	1	

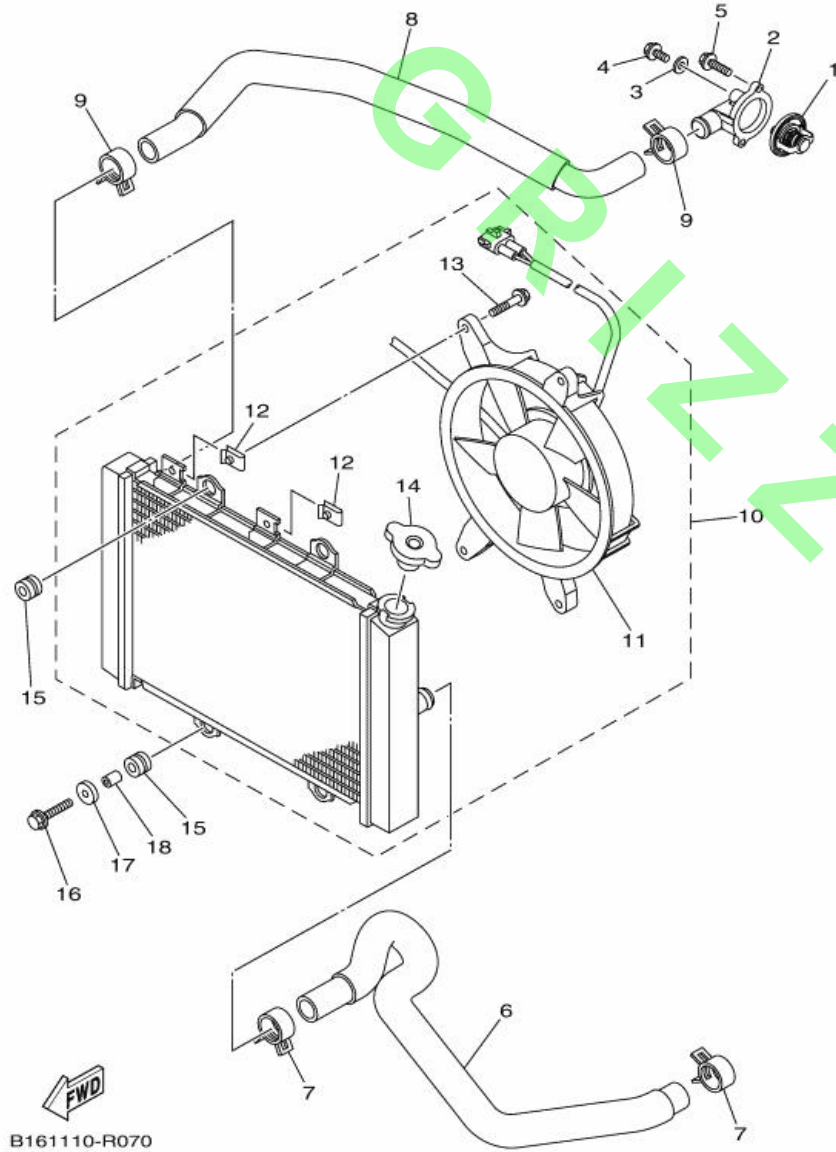
Fig. 08 OIL PUMP



B161110-R080

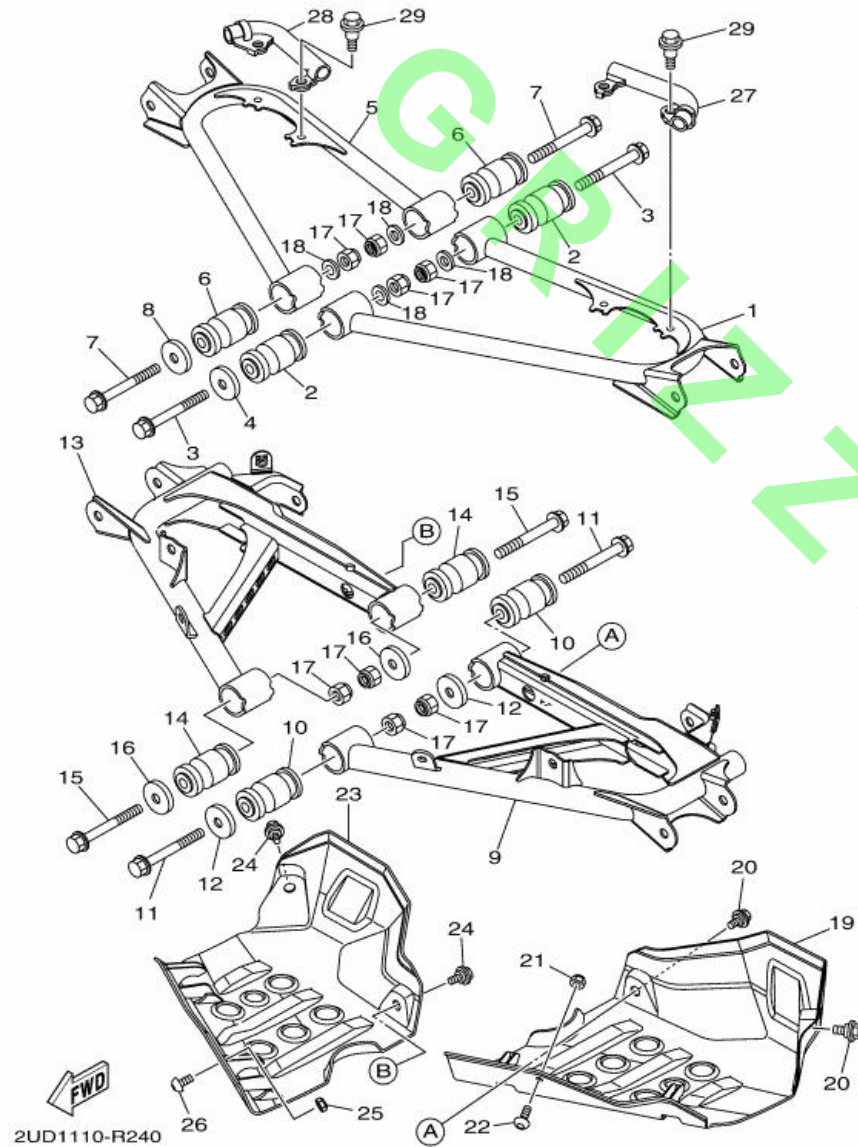
Ref. No.	Part No.	Description		Remarks
	1	2MB-E3300-00	OIL PUMP ASSY	1
	2	2MB-E5481-30	BOLT 1	3
	3	2MB-E8149-00	PLUG, BLIND	1
	4	2MB-E1198-00	GASKET	1
	5	B16-E3440-00	ELEMENT ASSY, OIL CLEANER	1
	6	B16-E3573-00	BOLT 1	1
	7	B16-E3470-00	OIL COOLER ASSY	1
	8	B16-E3475-00	GASKET	1
	9	2MB-E2221-00	GUIDE, STOPPER 3	1
	10	2MB-E5481-40	BOLT 1	2
	11	2MB-E3355-00	SPROCKET, DRIVEN	1
	12	2MB-E1459-00	NUT, SPECIAL	1
	13	2MB-E1456-00	CHAIN, PRIMARY	1
	14	2MB-E3171-00	PIPE, DELIVERY 2	1
	15	2MB-E3165-00	BOLT, BANJO	2
	16	2MB-E8363-00	GASKET	4
	17	2MB-E316F-00	HOSE, OIL 1	1
	18	2MB-E3181-00	PIPE, DELIVERY 3	1
	19	2MB-E5485-00	CLAMP	2
	20	2MB-E3166-00	BOLT, BANJO	1
	21	2MB-E1195-00	GASKET	2
	22	2MB-E8218-00	BALL	1
	23	2MB-E3469-00	SPRING	1
	24	2MB-E3455-00	PLUG	1
	25	2MB-E3161-00	PIPE, DELIVERY 1	1
	26	2MB-E2858-00	BOLT, UNION	2
	27	2MB-E3476-00	GASKET	4

Fig. 07 RADIATOR & HOSE



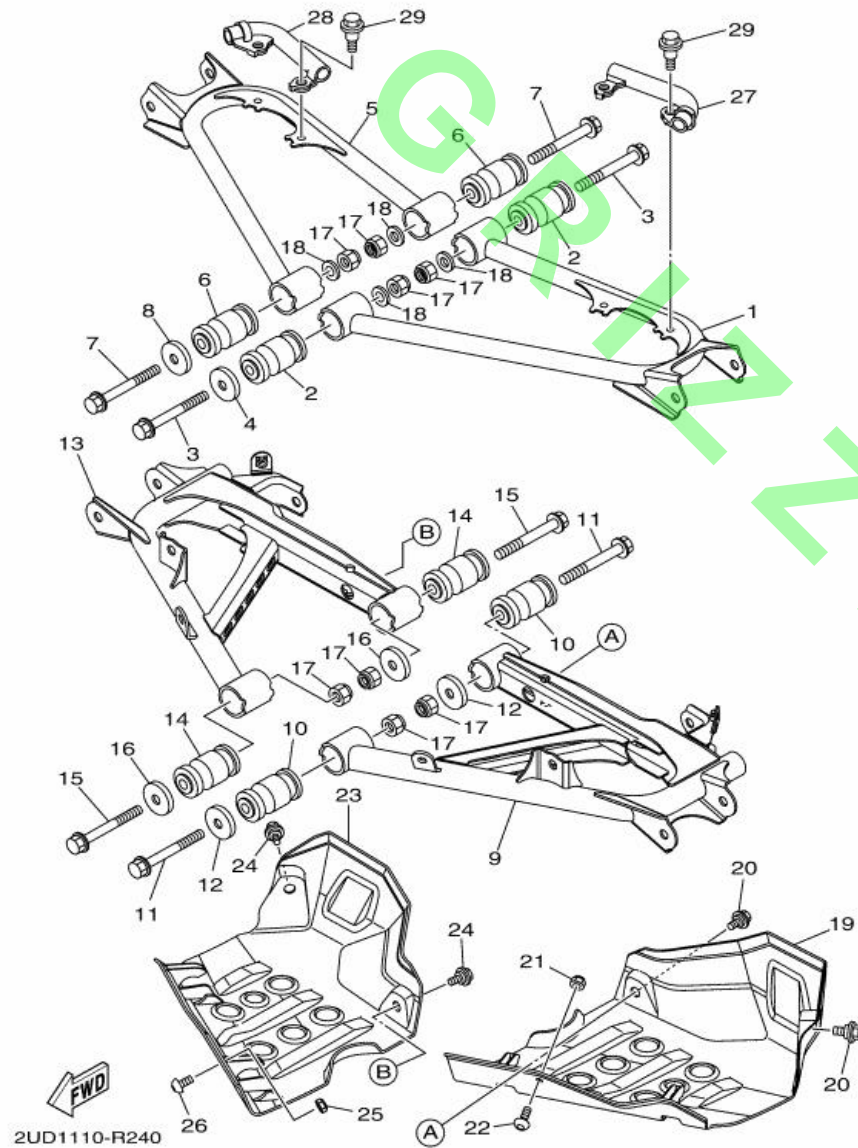
Ref. No.	Part No.	Description		Remarks
	1	2MB-E2411-00	THERMOSTAT	1
	2	B16-E2413-00	COVER, THERMOSTAT	1
	3	2MB-E2435-00	GASKET	1
	4	2MB-E5481-60	BOLT 1	1
	5	2MB-E5481-10	BOLT 1	2
	6	B16-E2576-00	HOSE 1	1
	7	90467-26189	CLIP	2
	8	B16-E2578-00	HOSE 3	1
	9	90467-26189	CLIP	2
	10	B16-E2460-00	RADIATOR ASSY	1
	11	B16-E2405-00	. BLOWER ASSY	1
	12	1HP-E2535-00	. NUT SPRING	4
	13	1HP-E2675-00	. BOLT, BLOWER HOLDING	4
	14	1XD-E2462-00	. CAP, RADIATOR	1
	15	90480-15235	GROMMET	4
	16	95812-06020	BOLT, FLANGE	2
	17	90209-06012	WASHER	2
	18	90387-06113	COLLAR	2

Fig. 24 REAR ARM



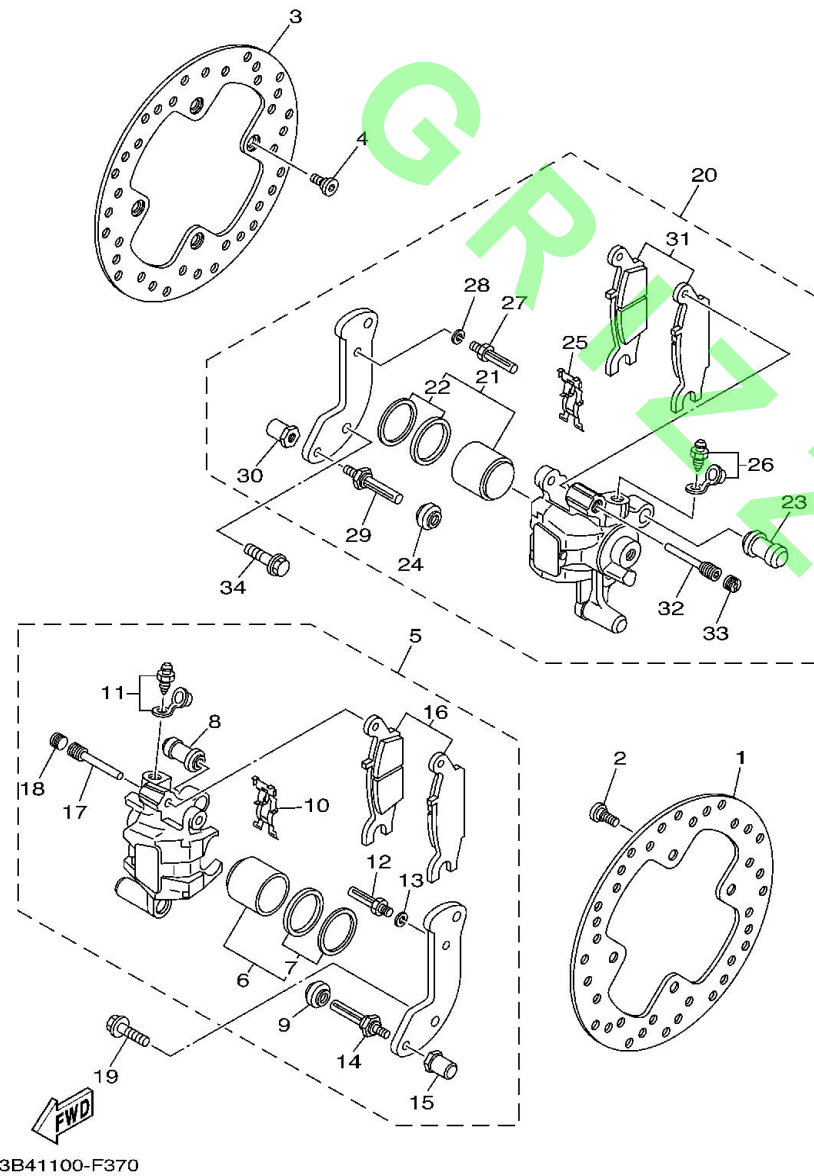
Ref. No.	Part No.	Description		Remarks
	1	2BG-F2171-00	ARM, REAR 1	1
	2	1HP-F3526-00	BUSH	2
	3	90105-10011	BOLT, FLANGE	2
	4	5KM-22149-10	WASHER	1
	5	2BG-F2172-00	ARM, REAR 2	1
	6	1HP-F3526-00	BUSH	2
	7	90105-10011	BOLT, FLANGE	2
	8	5KM-22149-10	WASHER	1
	9	2BG-F217M-01	ARM 1	1
	10	1HP-F3526-00	BUSH	2
	11	90105-10011	BOLT, FLANGE	2
	12	5KM-22149-10	WASHER	2
	13	2BG-F217N-01	ARM 2	1
	14	1HP-F3526-00	BUSH	2
	15	90105-10011	BOLT, FLANGE	2
	16	5KM-22149-10	WASHER	2
	17	90185-10012	NUT, SELF-LOCKING	8
	18	90201-10035	WASHER, PLATE	4
	19	2BG-F2128-01	COVER, THRUST 1	1
	20	90109-06264	BOLT	2
	21	95702-06300	NUT, NYLON	1
	22	90111-06814	BOLT, HEX. SOCKET BUTTON	1
	23	2BG-F2129-01	COVER, THRUST 2	1
	24	90109-06264	BOLT	2
	25	95702-06300	NUT, NYLON	1
	26	90111-06814	BOLT, HEX. SOCKET BUTTON	1
	27	1HP-F315H-00	PROTECTOR 1	1

Fig. 24 REAR ARM



Ref. No.	Part No.	Description	Quantity	Remarks
	28	1HP-F315J-00	1	PROTECTOR 2
	29	90109-06840	4	BOLT

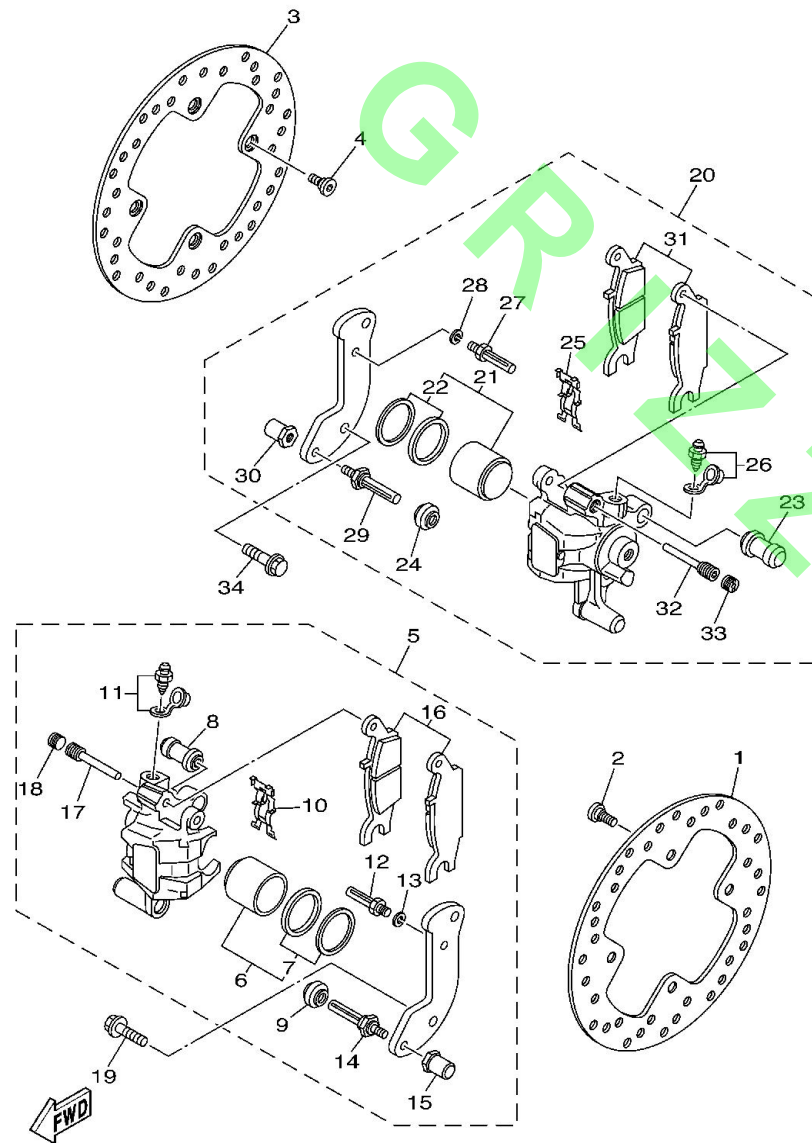
Fig. 37 REAR BRAKE CALIPER



3B41100-F370

Ref. No.	Part No.	Description		Remarks
1	1HP-F582V-00	DISC, REAR BRAKE 1	1	
2	90109-08101	BOLT	4	
3	1HP-F582V-00	DISC, REAR BRAKE 1	1	
4	90109-08101	BOLT	4	
5	3B4-2580V-11	CALIPER ASSY, REAR 1	1	
6	3B4-W0057-20	. PISTON ASSY, CALIPER	1	
7	3B4-W0047-00	. . CALIPER SEAL KIT	1	
8	1UY-25937-51	. BOOT 2	1	
9	3JD-25917-00	. BOOT, CALIPER	1	
10	5DH-25919-50	. SUPPORT, PAD	1	
11	1UY-W0048-50	. BLEED SCREW KIT	1	
12	1UY-25926-51	. BOLT	1	
13	1UY-25938-51	. WASHER, SPRING	1	
14	3JD-25926-00	. BOLT	1	
15	3JD-25961-00	. NUT	1	
16	3B4-W0046-00	. BRAKE PAD KIT 2	1	
17	3GD-25933-00	. PIN, PAD	1	
18	5DH-25916-00	. PLUG	1	
19	90105-08161	BOLT, FLANGE	2	
20	3B4-2580W-11	CALIPER ASSY, REAR 2	1	
21	3B4-W0057-20	. PISTON ASSY, CALIPER	1	
22	3B4-W0047-00	. . CALIPER SEAL KIT	1	
23	1UY-25937-51	. BOOT 2	1	
24	3JD-25917-00	. BOOT, CALIPER	1	
25	5DH-25919-50	. SUPPORT, PAD	1	
26	1UY-W0048-50	. BLEED SCREW KIT	1	
27	1UY-25926-51	. BOLT	1	

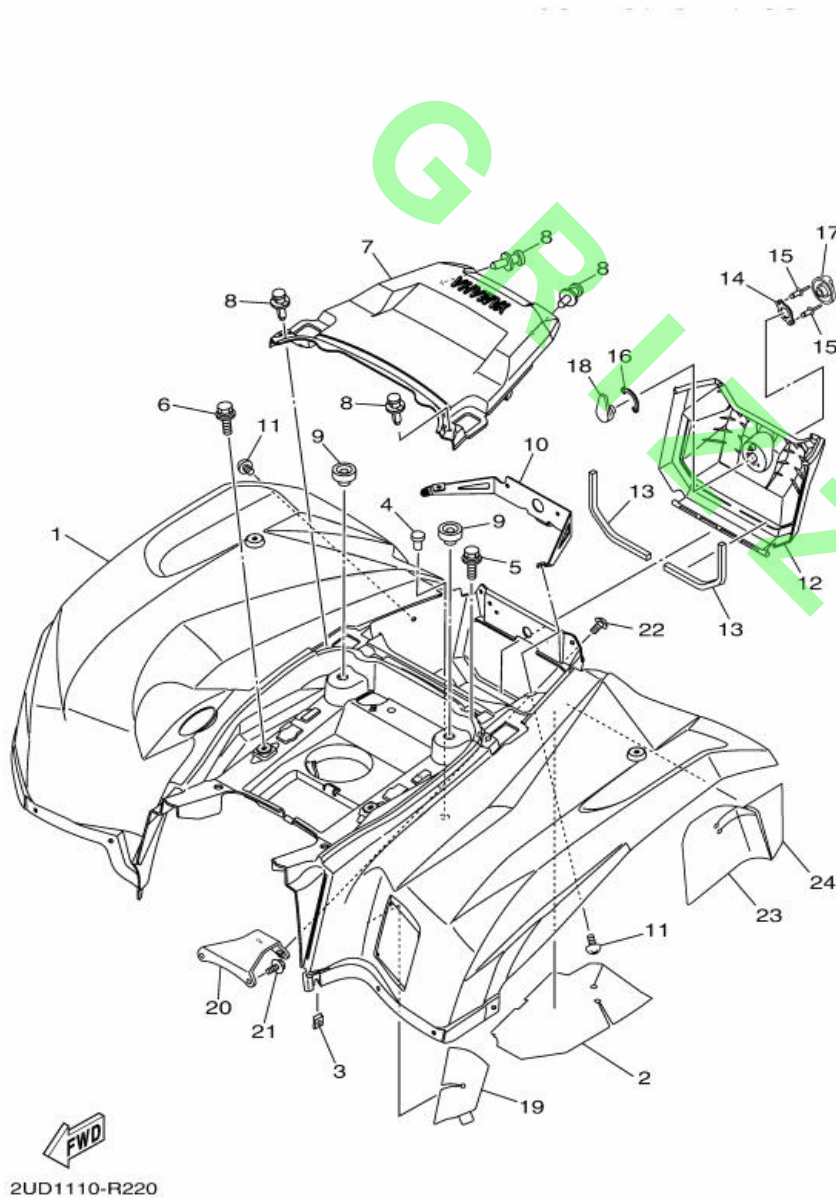
Fig. 37 REAR BRAKE CALIPER



3B41100-F370

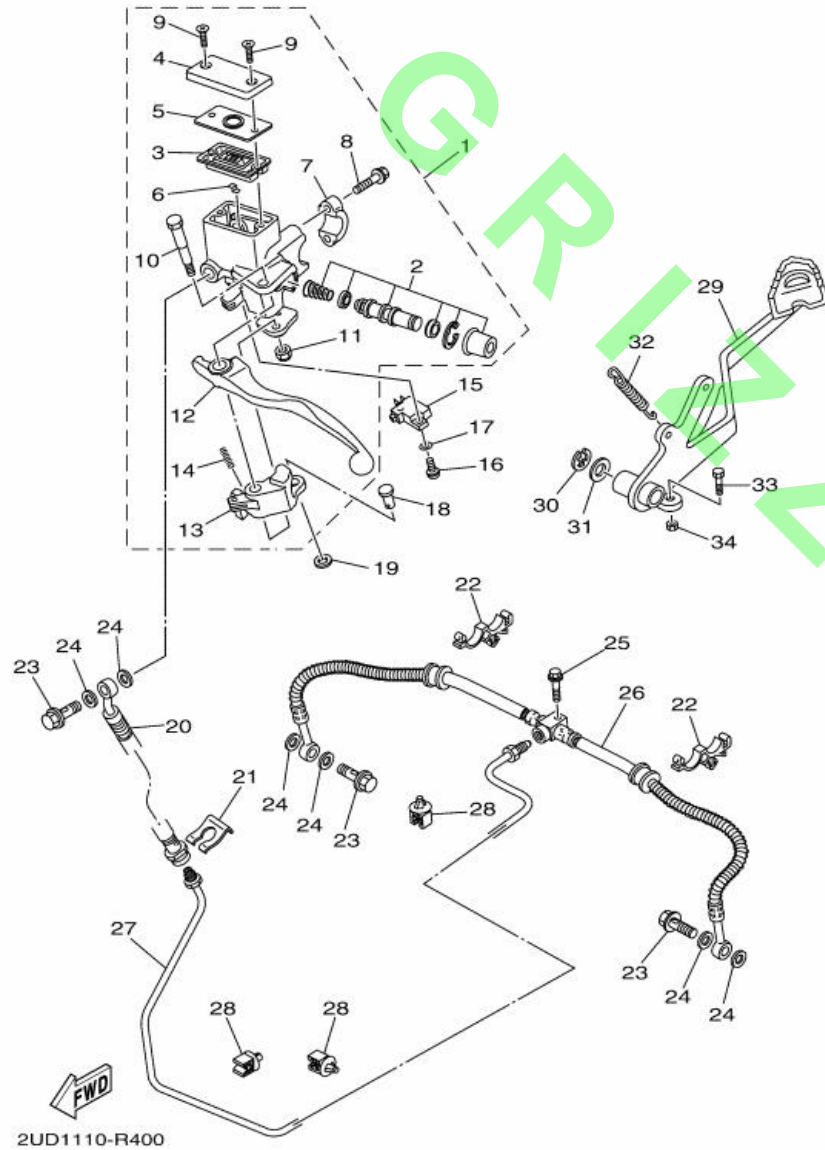
Ref. No.	Part No.	Description		Remarks
	28 1UY-25938-51	. WASHER, SPRING	1	
	29 3JD-25926-00	. BOLT	1	
	30 3JD-25961-00	. NUT	1	
	31 3B4-W0046-10	. BRAKE PAD KIT 2	1	
	32 3GD-25933-00	. PIN, PAD	1	
	33 5DH-25916-00	. PLUG	1	
	34 90105-08161	BOLT, FLANGE	2	

Fig. 22 REAR FENDER



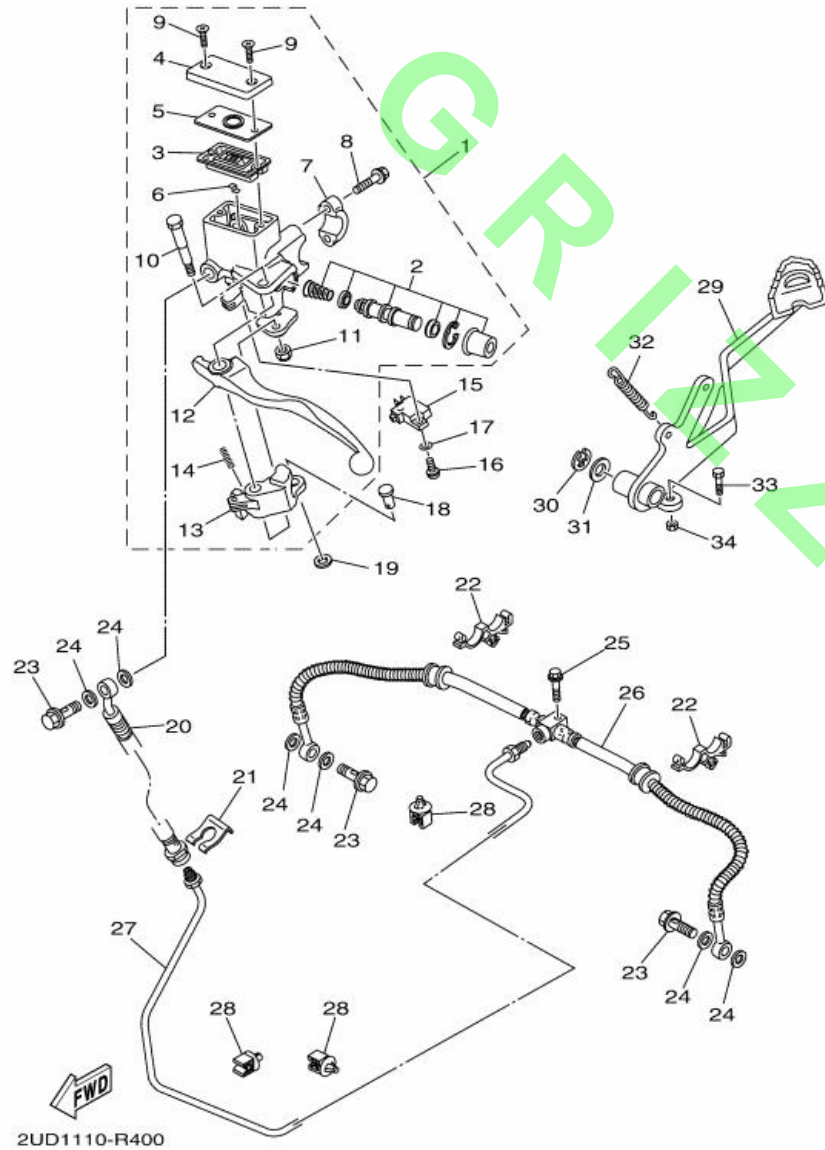
Ref. No.	Part No.	Description	Quantity	Remarks
1	2UD-F1600-00	REAR FENDER ASSY	1	UR FOR PDG
2	2UD-21652-00	PROTECTOR	1	
3	90183-06053	NUT, SPRING	1	
4	90605-502U1	PLUG, BLIND	1	
5	90119-06152	BOLT, WITH WASHER	2	
6	90119-06152	BOLT, WITH WASHER	2	
7	2UD-F1651-00	COVER, REAR FENDER	1	
8	90269-07010	RIVET	4	
9	90480-16807	GROMMET	2	
10	2UD-F139T-00	BRACKET, COVER	1	
11	90154-05021	SCREW, BINDING	2	
12	2UD-F160F-00	LID	1	
13	2UD-F16A2-00	SEAL, 2	2	
14	1XD-F1515-00	WASHER, SPECIAL	1	
15	90267-24143	RIVET, BLIND	2	
16	1XD-F1516-00	WASHER, SPECIAL 2	1	
17	1XD-2837G-00	LOCK 1	1	
18	1XD-2837H-00	LOCK 2	1	
19	B16-F1669-01	SEAL	1	
20	2UD-F1613-00	STAY, FENDER 1	1	
21	95812-06010	BOLT, FLANGE	2	
22	90111-06814	BOLT, HEX. SOCKET BUTTON	2	
23	2UD-216A3-00	SEAL, 3	1	
24	2UD-216A4-00	SEAL, 4	1	

Fig. 40 REAR MASTER CYLINDER



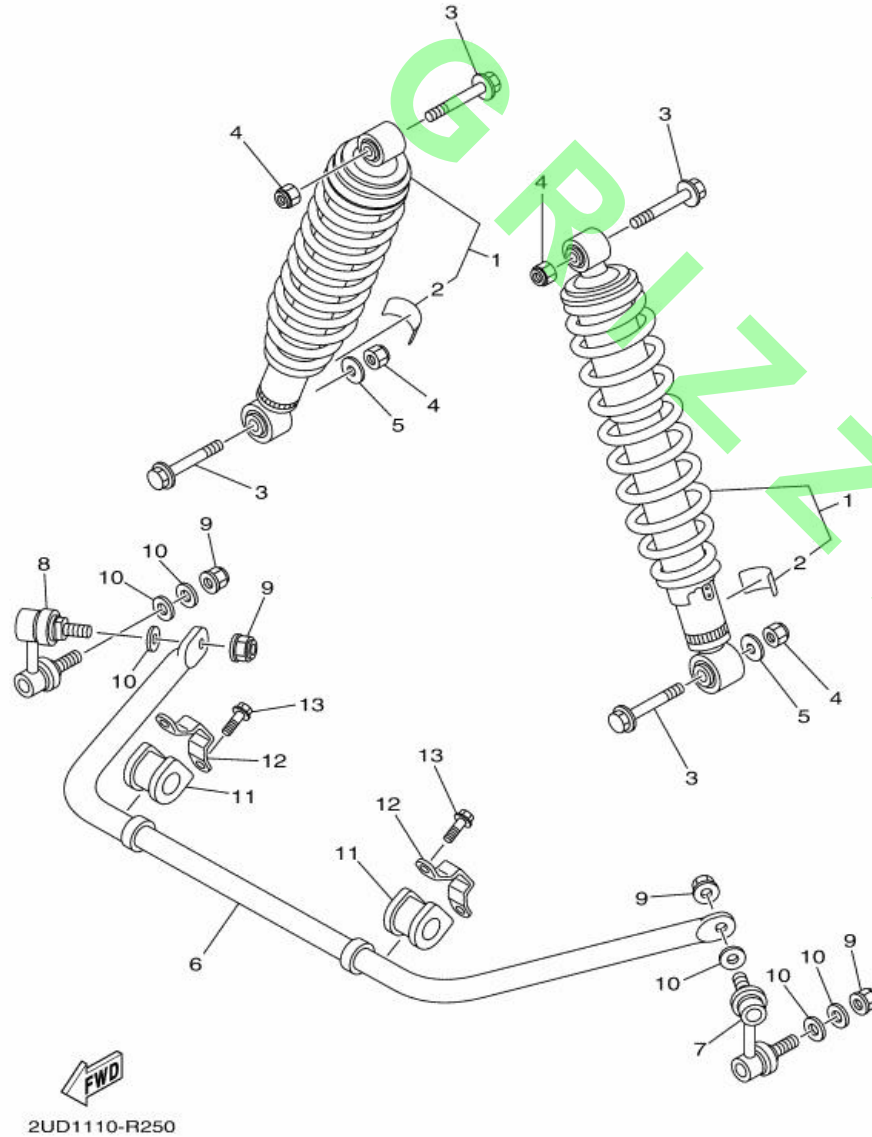
Ref. No.	Part No.	Description	Quantity	Remarks
1	2UD-F583V-00	RR. MASTER CYLINDER ASSY.	1	
2	B16-F5807-00	. CYLINDER KIT, MASTER	1	
3	B16-F5854-00	. DIAPHRAGM, RESERVOIR	1	
4	B16-F5852-00	. CAP, RESERVOIR	1	
5	B16-F585B-00	. PLATE, DIAPHRAGM	1	
6	B16-F5889-00	. SEPARATOR	1	
7	B16-F5867-00	. BRACKET, MASTER CYLINDER	1	
8	B16-F6332-00	. BOLT	2	
9	98780-04012	. SCREW, FLAT HEAD	2	
10	2UD-F589F-00	. BOLT, LEVER	1	
11	2UD-F6294-00	. NUT 1	1	
12	2UD-F3912-00	. LEVER, BRAKE	1	
13	2UD-F6168-00	. KNOCKER	1	
14	2UD-F5865-00	. SPRING, SEAT	1	
15	1HP-82530-01	STOP SWITCH ASSY	1	
16	98502-04012	SCREW, PAN HEAD	1	
17	92902-04600	WASHER, PLATE	1	
18	90240-08013	PIN, CLEVIS	1	
19	92902-08600	WASHER, PLATE	1	
20	2UD-F5872-00	HOSE, BRAKE 1	1	
21	2GU-25866-00	CIRCLIP	1	
22	90464-16006	CLAMP	2	
23	90401-10015	BOLT, UNION	3	
24	90201-10118	WASHER, PLATE	6	
25	95812-06025	BOLT, FLANGE	1	
26	2BG-F5874-00	HOSE, BRAKE	1	
27	1HP-F5882-01	PIPE, BRAKE 2	1	

Fig. 40 REAR MASTER CYLINDER



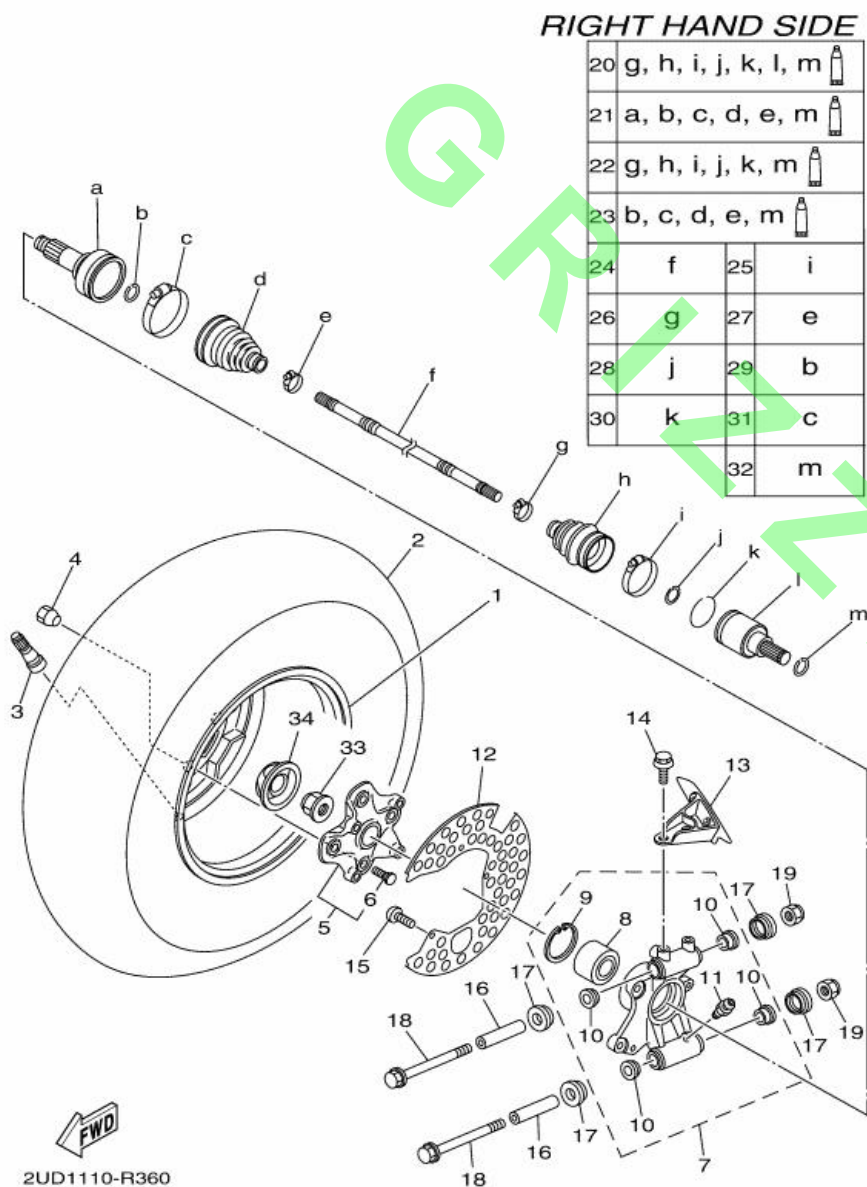
Ref. No.	Part No.	Description		Remarks
	28 5KM-81677-00	CLAMP 1	4	
	29 1HP-F7211-00	PEDAL, BRAKE	1	
	30 99001-10600	CIRCLIP	1	
	31 90201-14023	WASHER, PLATE	1	
	32 90506-20014	SPRING, TENSION	1	
	33 97022-06014	BOLT, HEXAGON	1	
	34 95302-06600	NUT, HEXAGON	1	

Fig. 25 REAR SUSPENSION



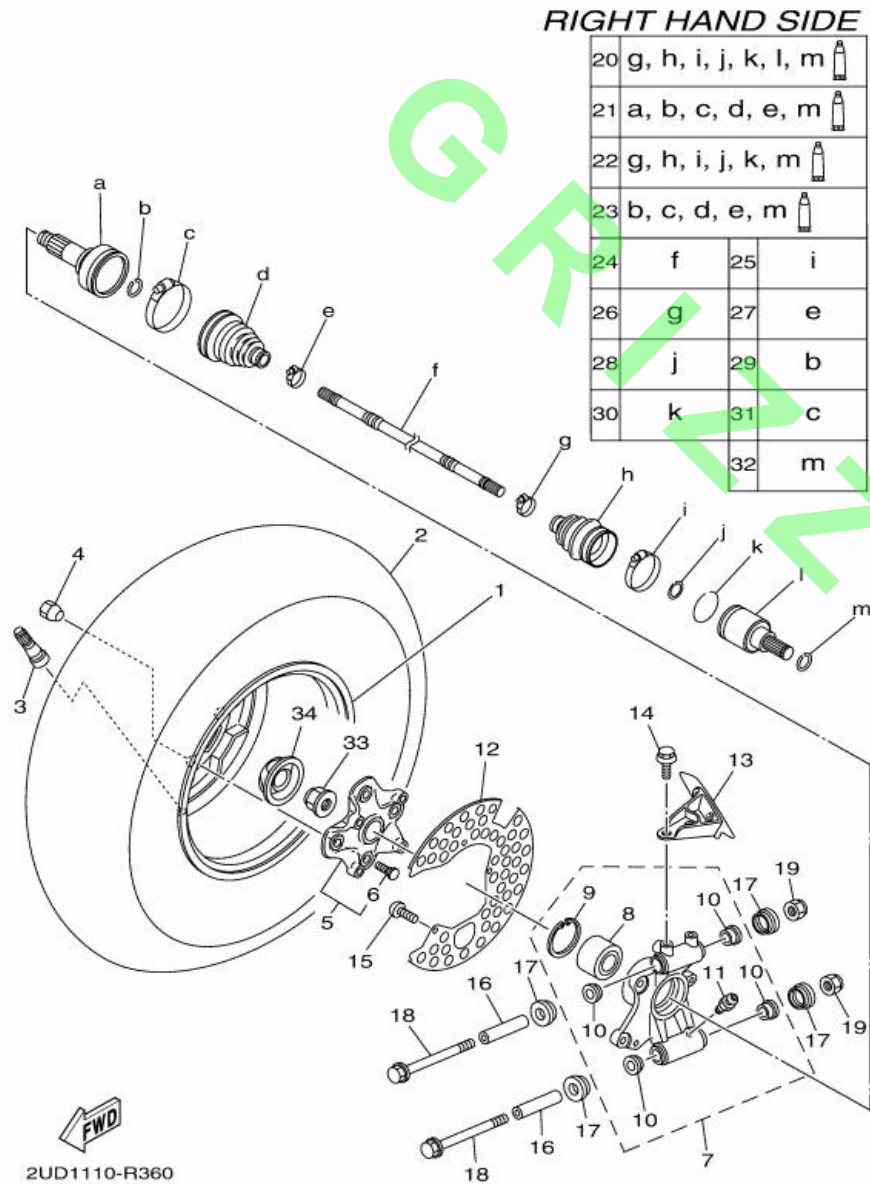
Ref. No.	Part No.	Description	Quantity	Remarks
1	2UD-F2200-10	SHOCK ABSORBER ASSY, REAR	2	
2	1HP-F2259-11	. LABEL, WARNING	1	
3	90105-10131	BOLT, FLANGE	4	
4	90185-10012	NUT, SELF-LOCKING	4	
5	90201-10035	WASHER, PLATE	2	
6	1HP-G7491-00	BAR, STABILIZER	1	
7	16B-2385L-10	JOINT, STABILIZER 1	1	
8	16B-2385M-10	JOINT, STABILIZER 2	1	
9	95602-10200	NUT, U FLANGE	4	
10	90201-10035	WASHER, PLATE	6	
11	1HP-F386G-00	BUSH, STABILIZER FRONT	2	
12	1HP-F386H-00	COVER, STABILIZER FRONT	2	
13	95812-08014	BOLT, FLANGE	4	

Fig. 36 REAR WHEEL 2



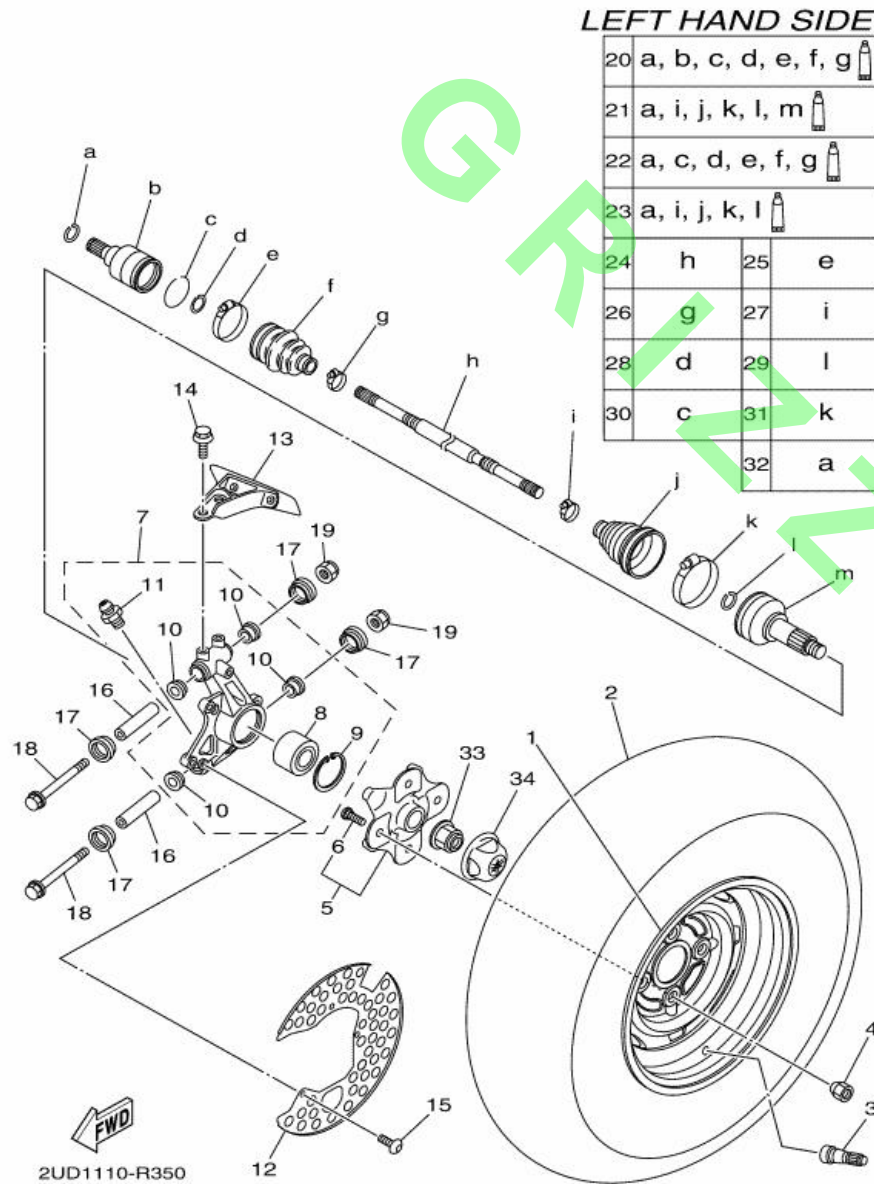
Ref. No.	Part No.	Description		Remarks
1	B16-F5390-00	REAR WHEEL COMP.	1	
2	94110-12819	TIRE (AT26X10-12 MU06Y**TL)	1	
3	93900-00813	VALVE, RIM (TR413)	1	MAXXIS
4	90179-10020	NUT	4	
5	B16-F510D-00	HUB ASSY 2	1	
6	90114-10014	. BOLT, SERRATION	4	
7	2BG-F532F-00	REAR KNUCKLE ASSY.,2	1	
8	93305-00602	. BEARING	1	
9	99009-55500	. CIRCLIP	1	
10	90381-17067	. BUSH, SOLID	4	
11	93700-06004	. NIPPLE, GREASE	2	
12	1HP-F514A-00	RING, WHEEL 1	1	
13	1HP-F539G-00	PLATE 2	1	
14	90109-06840	BOLT	2	
15	98902-06010	SCREW, BIND	3	
16	5KM-23448-00	SPACER	2	
17	2NL-23517-00	COVER, THRUST 1	4	
18	90105-10212	BOLT, FLANGE	2	
19	90185-10012	NUT, SELF-LOCKING	2	
20	B16-2530V-00	DOUBLE OFF SET JOINT	1	
21	28P-2510F-03	BALL JOINT SET	1	
22	B16-2510H-00	BOOT SET(DOUBLE OFFSET JOINT)	1	
23	28P-2510G-01	BOOT SET (BALL JOINT)	1	
24	2UD-2518E-10	SHAFT	1	
25	B16-2511H-00	BOOT BAND(DOUBLE OFFSET JOINT)	1	
26	B16-2512G-00	BOOT BAND (SMALL)	1	
27	28P-2512G-00	BOOT BAND (SMALL)	1	

Fig. 36 REAR WHEEL 2



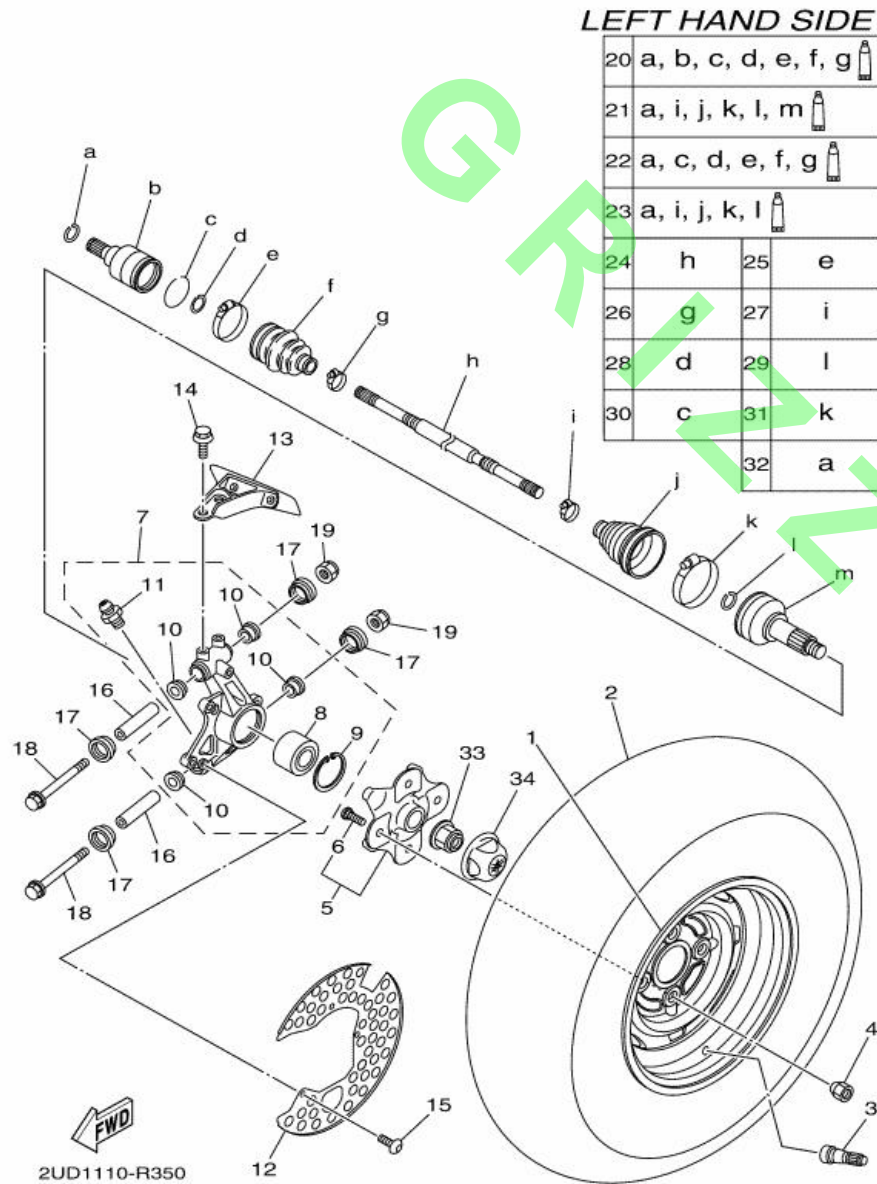
Ref. No.	Part No.	Description	Quantity	Remarks
	28 B16-2512J-00	SNAP RING	1	
	29 3B4-2512H-00	CIRCLIP	1	
	30 B16-25182-00	CIRCLIP	1	
	31 28P-2511H-00	BOOT BAND(DOUBLE OFFSET JOINT)	1	
	32 3B4-2536E-00	CLIP, SPRING	1	
	33 90179-20016	NUT	1	
	34 1HP-F512A-00	CAP, WHEEL	1	

Fig. 35 REAR WHEEL



Ref. No.	Part No.	Description		Remarks
1	B16-F5390-00	REAR WHEEL COMP.	1	
2	94110-12819	TIRE (AT26X10-12 MU06Y**TL)	1	
3	93900-00813	VALVE, RIM (TR413)	1	MAXXIS
4	90179-10020	NUT	4	
5	B16-F510D-00	HUB ASSY 2	1	
6	90114-10014	. BOLT, SERRATION	4	
7	2BG-F530F-00	REAR KNUCKLE ASSY	1	
8	93305-00602	. BEARING	1	
9	99009-55500	. CIRCLIP	1	
10	90381-17067	. BUSH, SOLID	4	
11	93700-06004	. NIPPLE, GREASE	2	
12	1HP-F514A-00	RING, WHEEL 1	1	
13	1HP-F539F-00	PLATE 1	1	
14	90109-06840	BOLT	2	
15	98902-06010	SCREW, BIND	3	
16	5KM-23448-00	SPACER	2	
17	2NL-23517-00	COVER, THRUST 1	4	
18	90105-10212	BOLT, FLANGE	2	
19	90185-10012	NUT, SELF-LOCKING	2	
20	B16-2530V-00	DOUBLE OFF SET JOINT	1	
21	28P-2510F-03	BALL JOINT SET	1	
22	B16-2510H-00	BOOT SET(DOUBLE OFFSET JOINT)	1	
23	28P-2510G-01	BOOT SET (BALL JOINT)	1	
24	2UD-2518E-10	SHAFT	1	
25	B16-2511H-00	BOOT BAND(DOUBLE OFFSET JOINT)	1	
26	B16-2512G-00	BOOT BAND (SMALL)	1	
27	28P-2512G-00	BOOT BAND (SMALL)	1	

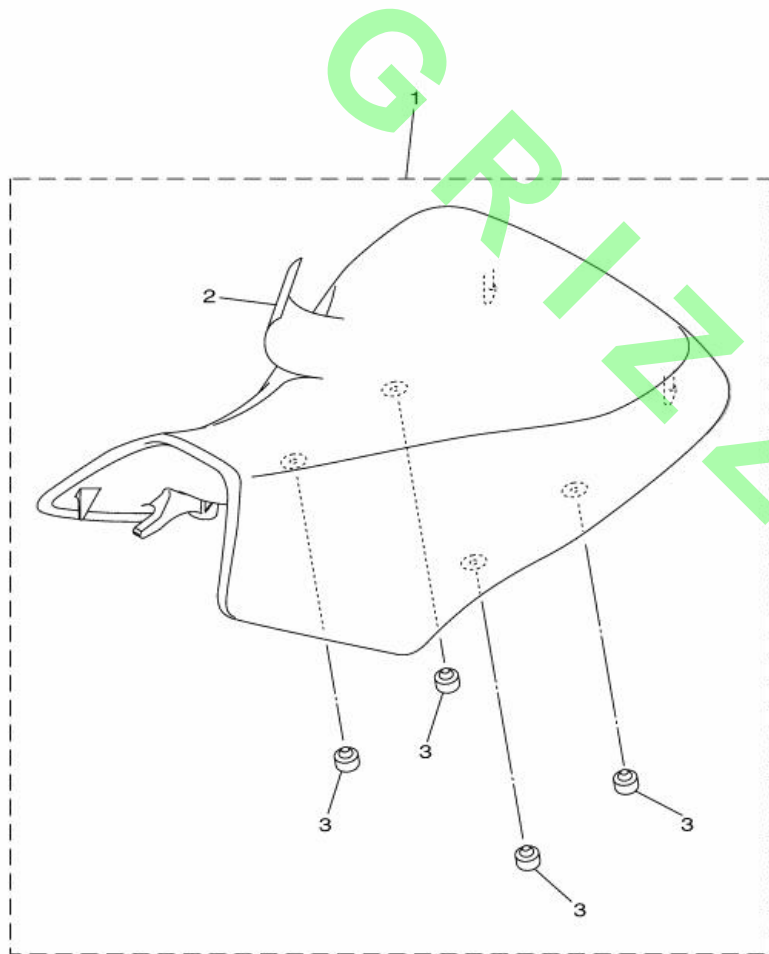
Fig. 35 REAR WHEEL



Ref. No.	Part No.	Description		Remarks
	28 B16-2512J-00	SNAP RING	1	
	29 3B4-2512H-00	CIRCLIP	1	
	30 B16-25182-00	CIRCLIP	1	
	31 28P-2511H-00	BOOT BAND(DOUBLE OFFSET JOINT)	1	
	32 3B4-2536E-00	CLIP, SPRING	1	
	33 90179-20016	NUT	1	
	34 1HP-F512A-00	CAP, WHEEL	1	

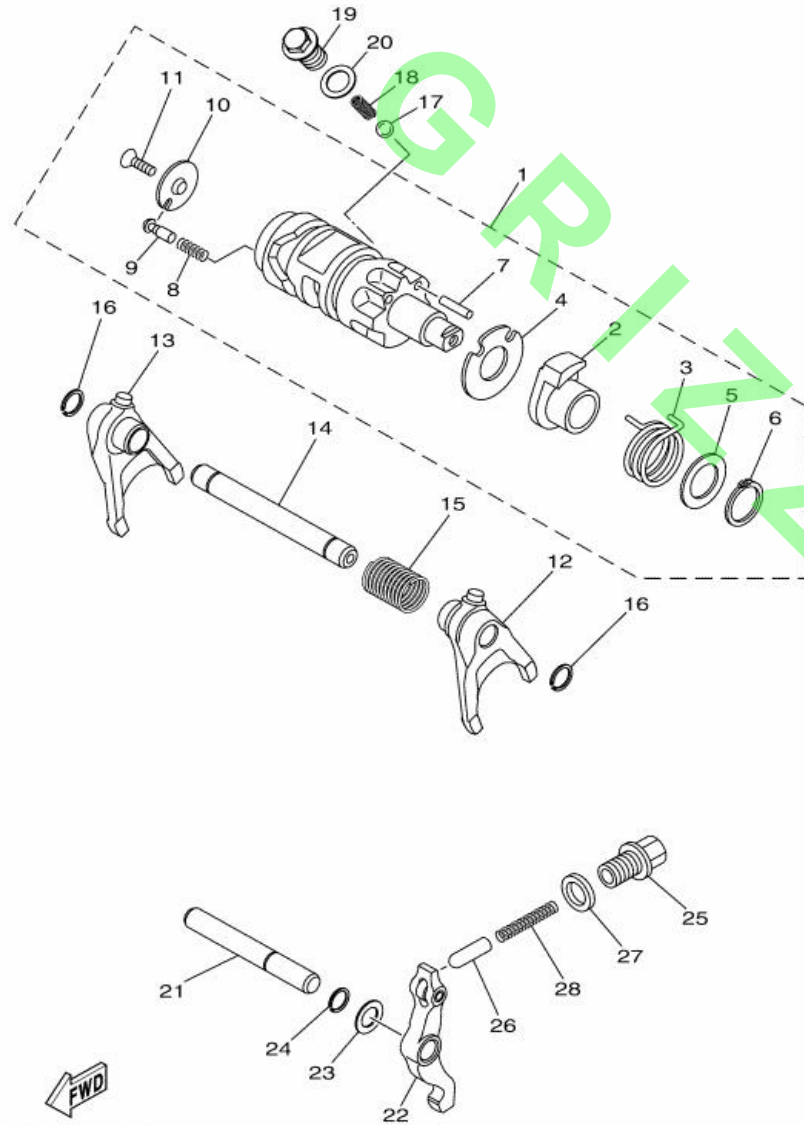
Fig. 31 SEAT

Ref. No.	Part No.	Description		Remarks
1	2UD-F4710-00	SINGLE SEAT ASSY	1	
2	2UD-F470F-00	. SEAT COVER COMP.	1	
3	4XE-F4747-00	. DAMPER, SEAT	4	



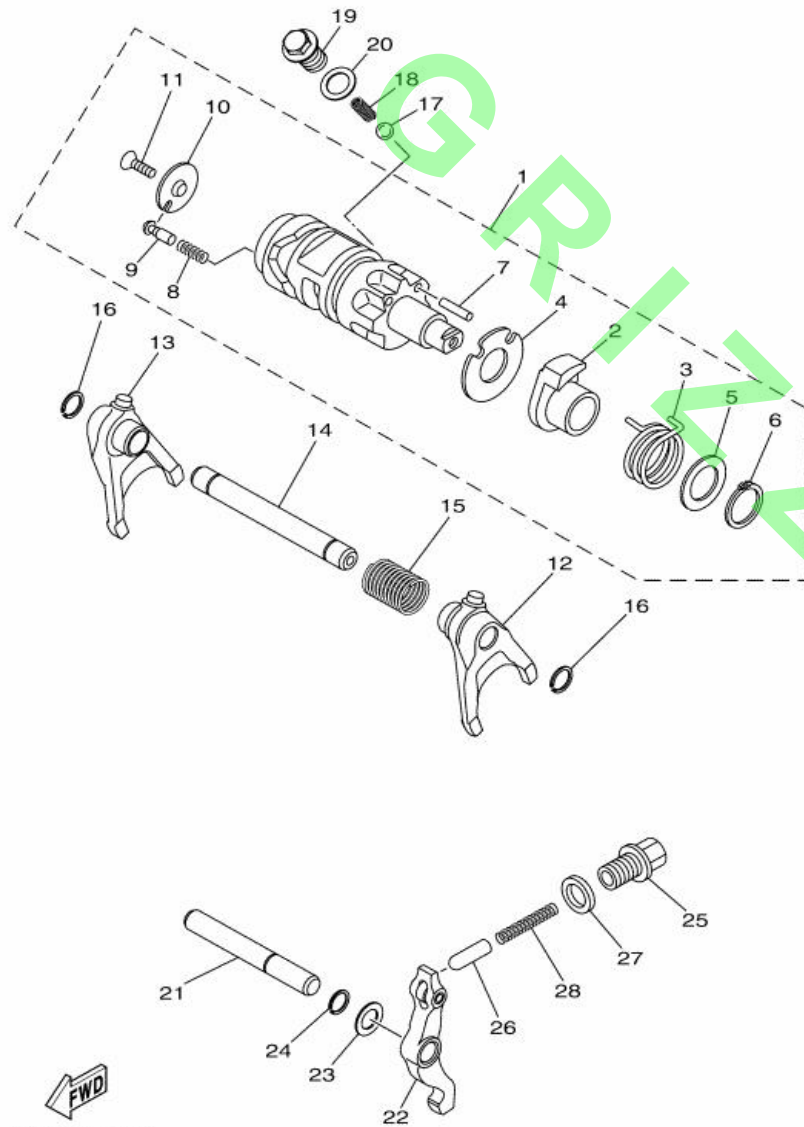
2UD1110-R310

Fig. 18 SHIFT CAM & FORK



Ref. No.	Part No.	Description		Remarks
1	B16-E8540-00	SHIFT CAM ASSY	1	
2	B16-E8171-00	. CAM, LEVER	1	
3	B16-E8124-00	. SPRING, SHAFT RETURN	1	
4	B16-E8331-00	. PLATE, SHIFT CAM	1	
5	B16-E8435-00	. SPACER, CAM SHAFT	1	
6	B16-E8135-00	. CLIP, SHIFT SHAFT	1	
7	B16-E8126-00	. PIN, LEVER	1	
8	2MB-E8222-00	. SPRING 2	1	
9	2MB-E8542-00	. POINT, NEUTRAL	1	
10	2MB-E8566-00	. PLATE, SIDE 2	1	
11	2MB-E8563-00	. SCREW, STOPPER PLATE	1	
12	2MB-E8511-00	FORK, SHIFT 1	1	
13	B16-E8512-00	FORK, SHIFT 2	1	
14	B16-E8531-00	BAR, SHIFT FORK GUIDE 1	1	
15	2MB-E8123-00	SPRING	1	
16	2MB-E5597-00	CIRCLIP 2	2	
17	2MB-E8218-00	BALL	1	
18	2MB-E8143-00	SPRING	1	
19	2MB-E8119-00	BOLT, SHIFT	1	
20	2MB-E8363-00	GASKET	1	
21	B16-E8318-00	SHAFT, SHIFTER	1	
22	B16-E8140-00	STOPPER LEVER ASSY	1	
23	B16-E8139-00	WASHER, LOCK	1	
24	2MB-E5597-00	CIRCLIP 2	1	
25	B16-E8177-00	BOLT, STOPPER	1	
26	B16-E8547-00	STOPPER, CAM	1	
27	2MB-E8363-00	GASKET	1	

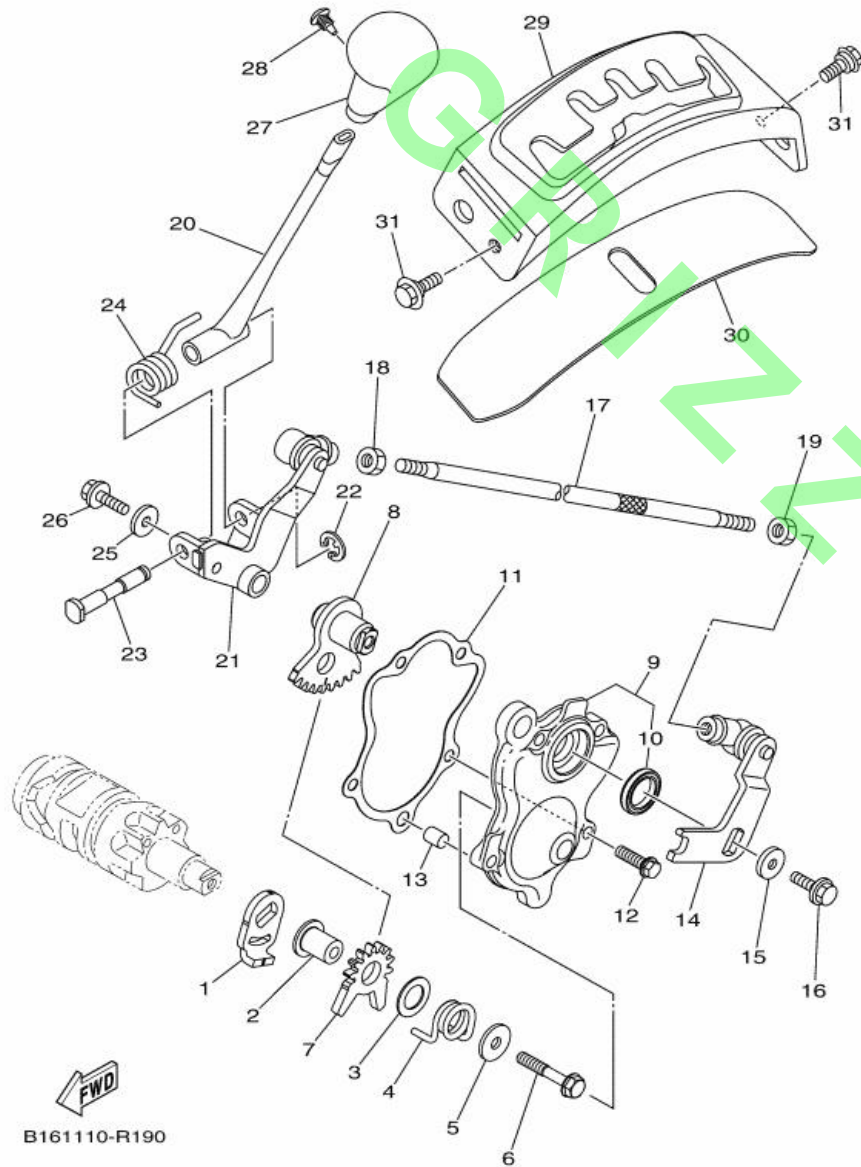
Fig. 18 SHIFT CAM & FORK



B161110-R180

Ref. No.	Part No.	Description	Remarks
	28 B16-E8221-00	SPRING,1	1

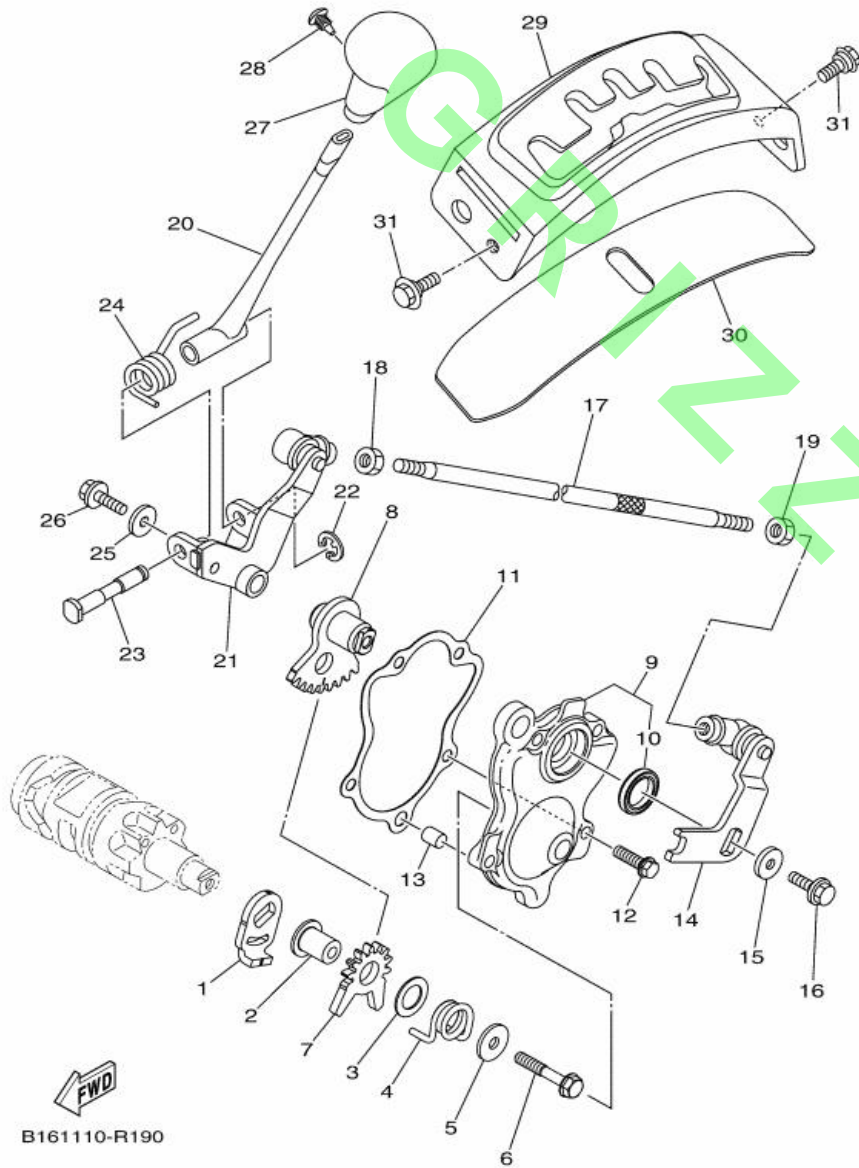
Fig. 19 SHIFT SHAFT



B161110-R190

Ref. No.	Part No.	Description	Quantity	Remarks
1	B16-E8198-00	LEVER	1	
2	2MB-E8413-00	COLLAR, SHIFTER	1	
3	2MB-E8137-00	WASHER 1	1	
4	B16-E8183-00	SPRING	1	
5	2MB-E8138-00	WASHER 2	1	
6	2MB-E5482-20	BOLT 2	1	
7	2MB-E8191-00	LEVER	1	
8	B16-E8103-00	SHIFT SHAFT COMP.	1	
9	B16-E8380-00	SHIFTER BRKT. ASSY	1	
10	B16-E76G3-00	. OIL SEAL 2	1	
11	2MB-E8146-00	GASKET	1	
12	2MB-E5481-10	BOLT 1	4	
13	2MB-E8438-00	PIN, DOWEL	1	
14	28P-18104-00	SHIFT GUIDE COMP.	1	
15	90201-06036	WASHER, PLATE	1	
16	90105-06176	BOLT, FLANGE	1	
17	B16-18115-00	ROD, SHIFT	1	
18	90170-06228	NUT (COUNTER CLOCKWISE)	1	
19	95312-06700	NUT	1	
20	1HP-E8190-01	LEVER COMP. 1	1	
21	1HP-E8169-00	ARM, SHIFT 2	1	
22	99002-06600	CIRCLIP	1	
23	1HP-E8125-00	SHAFT, SHIFT	1	
24	1HP-E8196-00	SPRING, RETURN	1	
25	90201-06036	WASHER, PLATE	1	
26	95812-06016	BOLT, FLANGE	1	
27	28P-18174-00	KNOB, SHIFT LEVER	1	

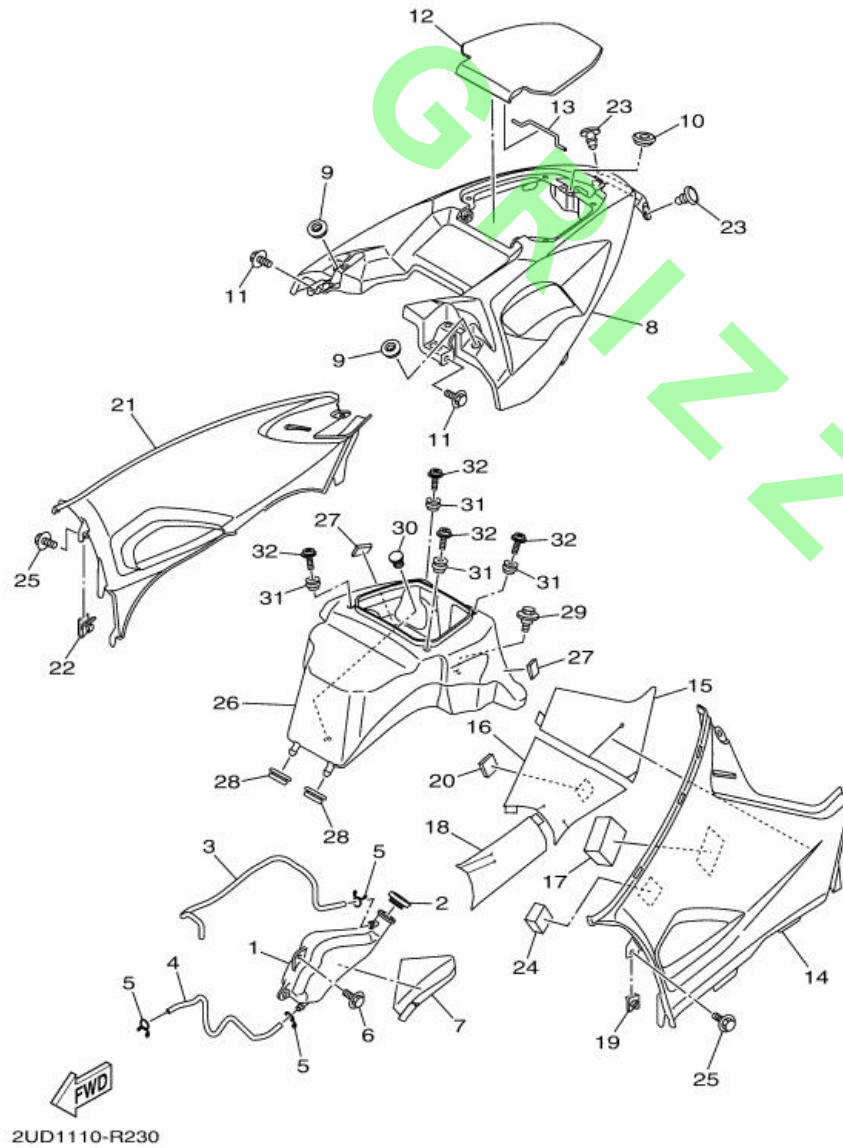
Fig. 19 SHIFT SHAFT



B161110-R190

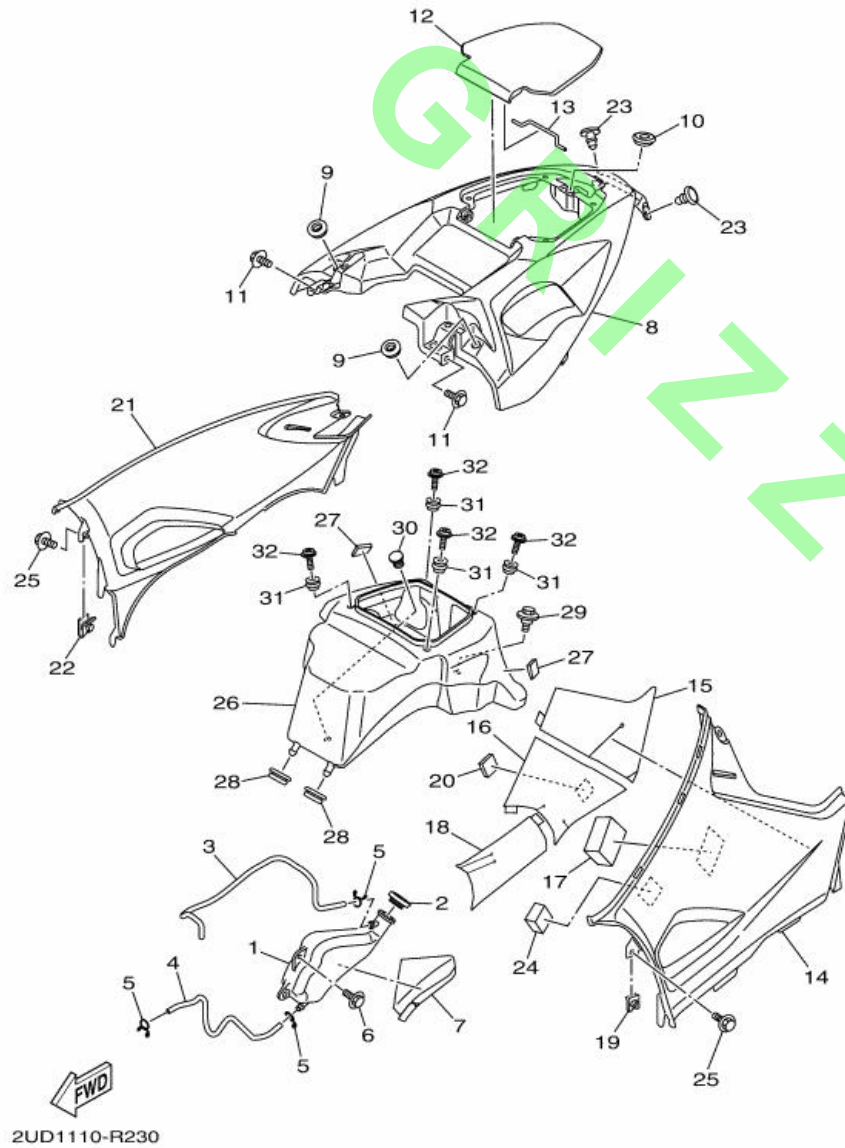
Ref. No.	Part No.	Description		Remarks
	28 90269-05055	RIVET	1	
	29 1HP-E8172-00	GUIDE, SHIFT	1	
	30 1HP-E8154-00	COVER, DUST	1	
	31 90109-06043	BOLT	2	

Fig. 23 SIDE COVER



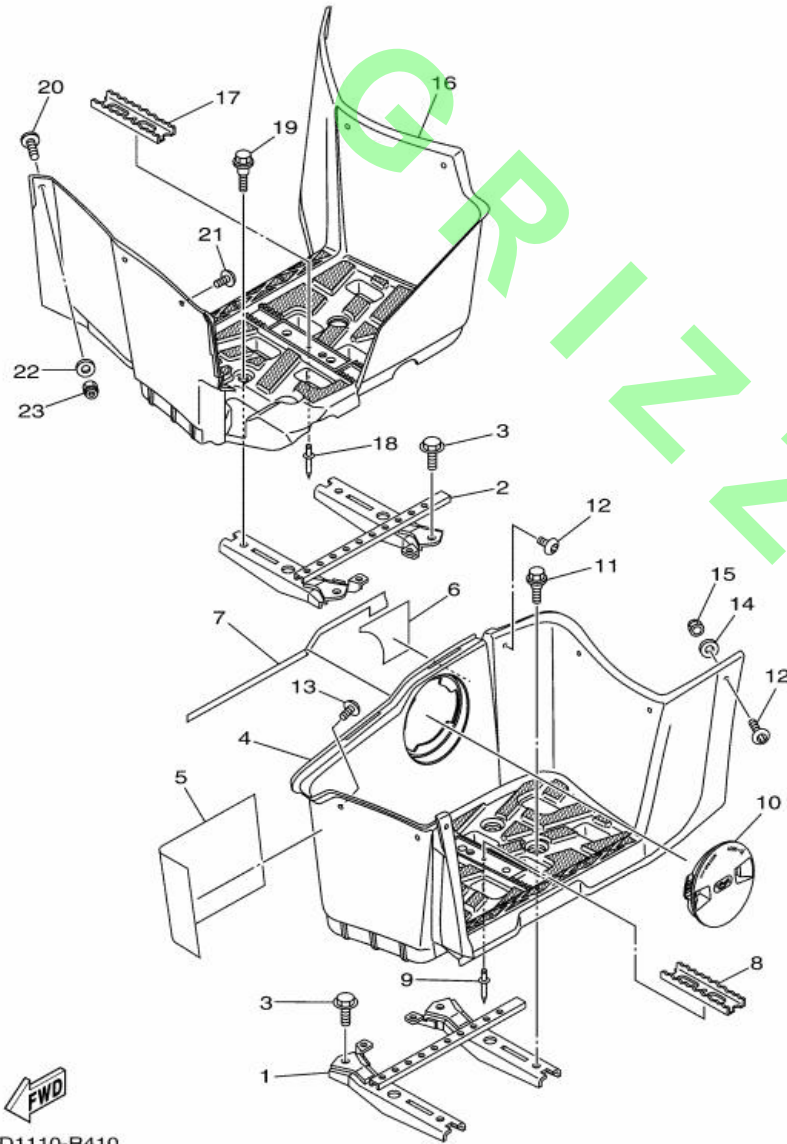
Ref. No.	Part No.	Description		Remarks	
	1	1HP-F1871-01	TANK, RECOVERY	1	
	2	1S3-21875-00	CAP	1	
	3	90445-08841	HOSE (L540)	1	
	4	90445-08840	HOSE (L420)	1	
	5	90467-08003	CLIP	3	
<hr/>					
	6	90119-06152	BOLT, WITH WASHER	2	
	7	1HP-F176E-00	PLATE	1	
	8	B16-F171A-00	COVER, TOP	1	UR FOR PDG
	9	90480-13567	GROMMET	2	
	10	90480-01558	GROMMET	1	
<hr/>					
	11	90119-06152	BOLT, WITH WASHER	2	
	12	B16-F177B-00	LID, COVER	1	UR FOR PDG
	13	3B4-2177K-00	PIN, HINGE	1	
	14	B16-F1711-00	COVER, SIDE 1	1	UR FOR PDG
	15	B16-F174A-01	INSULATOR, SIDE COVER	1	
<hr/>					
	16	B16-F173N-01	SEAL 4	1	
	17	3B4-2174Y-00	DAMPER	1	
	18	B16-F173M-01	SEAL 3	1	
	19	90183-06053	NUT, SPRING	1	
	20	3B4-2177N-00	DAMPER, LOCATING 4	1	
<hr/>					
	21	B16-F1721-00	COVER, SIDE 2	1	UR FOR PDG
	22	90183-06053	NUT, SPRING	1	
	23	90269-07010	RIVET	2	
	24	90520-50800	DAMPER, PLATE	1	
	25	90119-06152	BOLT, WITH WASHER	2	
<hr/>					
	26	B16-F177A-00	BOX	1	
	27	90520-10027	DAMPER, PLATE	2	

Fig. 23 SIDE COVER



Ref. No.	Part No.	Description		Remarks
	28 90480-01558	GROMMET	2	
	29 90109-06202	BOLT	1	
	30 90605-502U1	PLUG, BLIND	1	
	31 90179-05523	NUT	4	
	32 90159-05053	SCREW, WITH WASHER	4	
<hr/>				
<hr/>				
<hr/>				
<hr/>				
<hr/>				
<hr/>				
<hr/>				
<hr/>				
<hr/>				

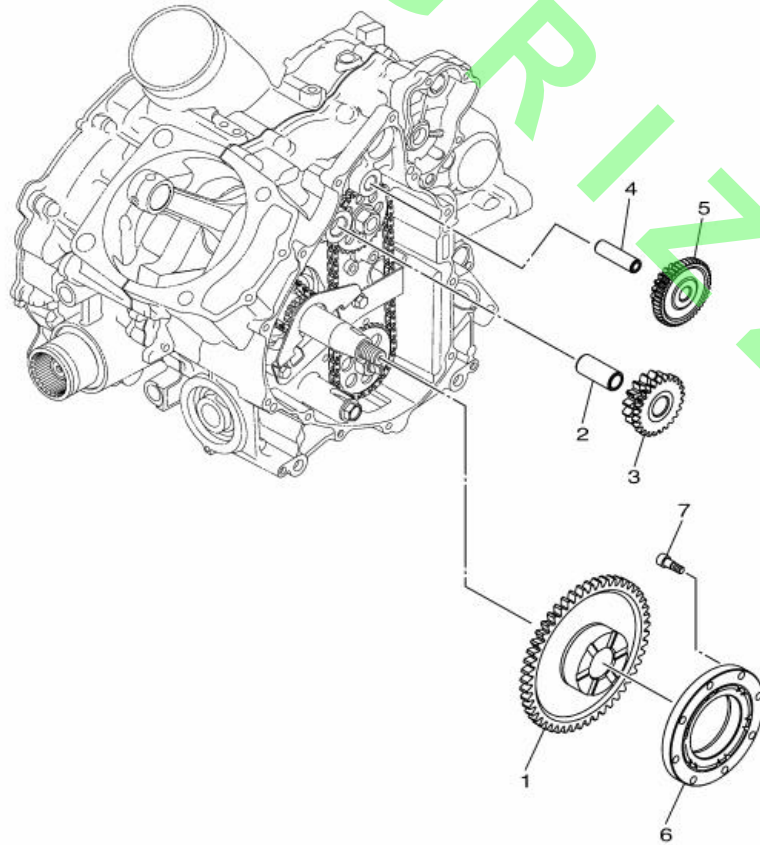
Fig. 41 STAND & FOOTREST



2UD1110-R410

Ref. No.	Part No.	Description		Remarks
1	1HP-F7452-00	BRACKET, FOOTREST 1	1	
2	1HP-F7462-00	BRACKET, FOOTREST 2	1	
3	95812-08012	BOLT, FLANGE	4	
4	1HP-F7453-00	COVER 1	1	
5	3B4-21732-00	SEAL 1	1	
6	1HP-F2875-00	SEAL 3	1	
7	2BG-F2874-00	SEAL 2	1	
8	5UH-F741A-10	ARM 1	1	
9	90267-489U9	RIVET, BLIND	1	
10	1HP-F8239-00	COVER 3	1	
11	90109-06043	BOLT	4	
12	90111-06814	BOLT,HEX. SOCKET BUTTON	6	
13	90111-06137	BOLT,HEX. SOCKET BUTTON	1	
14	90201-06078	WASHER, PLATE	6	
15	95702-06300	NUT, NYLON	6	
16	1HP-F7463-00	COVER 2	1	
17	5UH-F741A-10	ARM 1	1	
18	90267-489U9	RIVET, BLIND	1	
19	90109-06043	BOLT	4	
20	90111-06814	BOLT,HEX. SOCKET BUTTON	5	
21	90111-06137	BOLT,HEX. SOCKET BUTTON	1	
22	90201-06078	WASHER, PLATE	6	
23	95702-06300	NUT, NYLON	6	

Fig. 14 STARTER CLUTCH



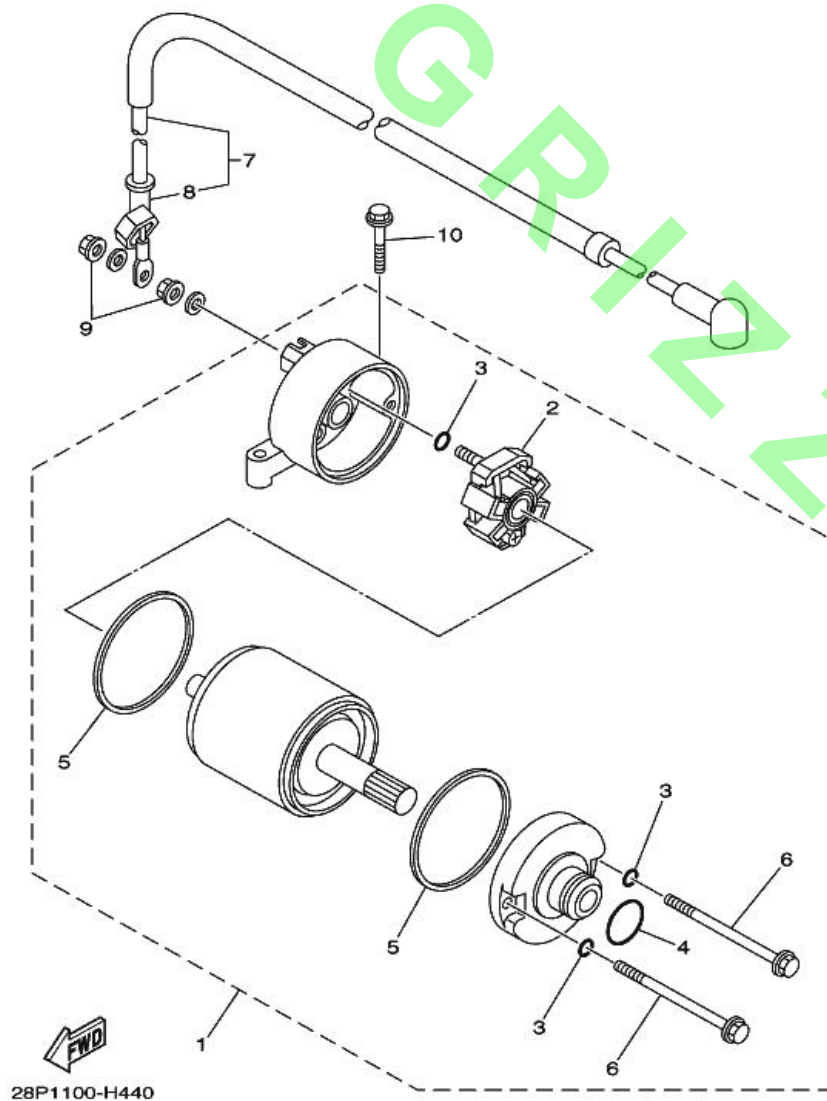
Ref. No.	Part No.	Description		Remarks
1	2MB-E5515-00	GEAR 3	1	
2	2MB-E5522-00	SHAFT 2	1	
3	2MB-E5517-01	GEAR, IDLER 2	1	
4	2MB-E5521-00	SHAFT 1	1	
5	2MB-E5512-00	GEAR, IDLER 1	1	
6	2MB-E5590-00	STARTER ONE-WAY ASSY	1	
7	2MB-E6777-00	BOLT	8	



B161110-R140

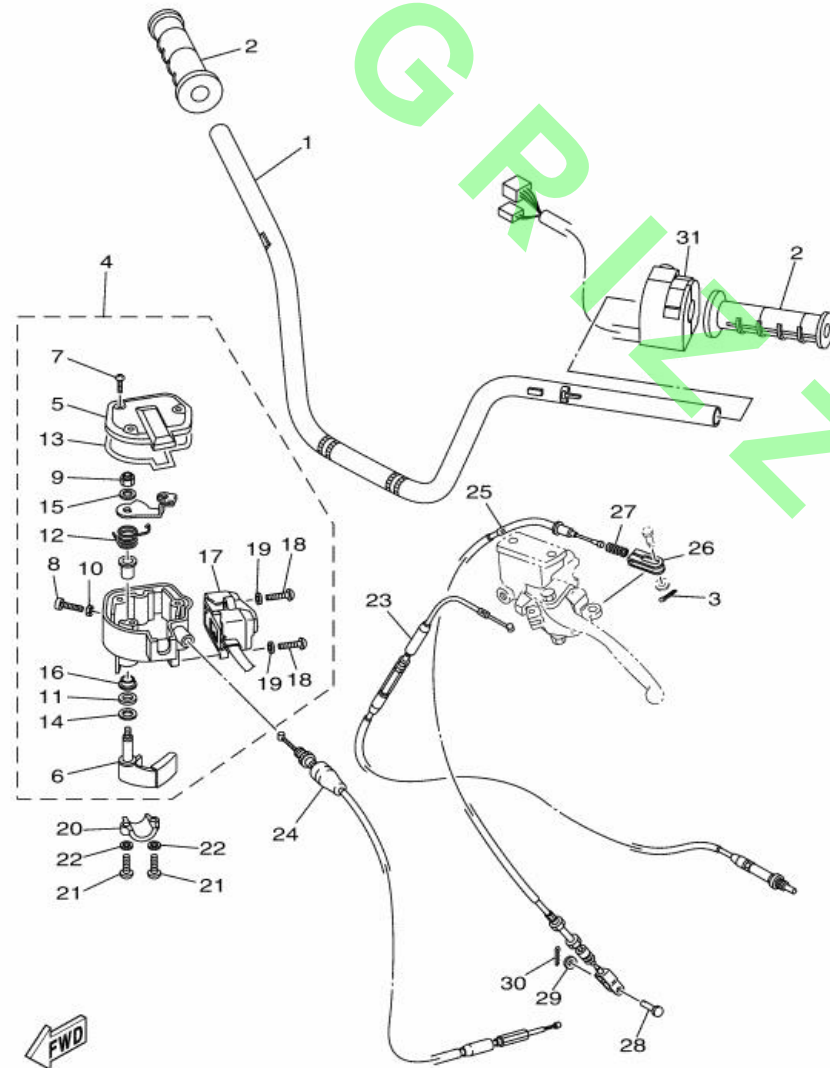
Fig. 44 STARTING MOTOR

Ref. No.	Part No.	Description		Remarks
1	28P-81890-00	MOTOR ASSY	1	
2	4B5-81840-00	. BRUSH HOLDER ASSY	1	
3	3TB-81847-00	. O-RING	3	
4	1FK-81847-00	. O-RING	1	
5	11H-81844-00	. GASKET	2	
6	28P-81826-00	. BOLT	2	
7	28P-81815-00	CORD, STARTER MOTOR	1	
8	4B5-81871-00	. CAP	1	
9	4XV-8182A-00	NUT	2	
10	2MB-E5481-50	BOLT 1	2	



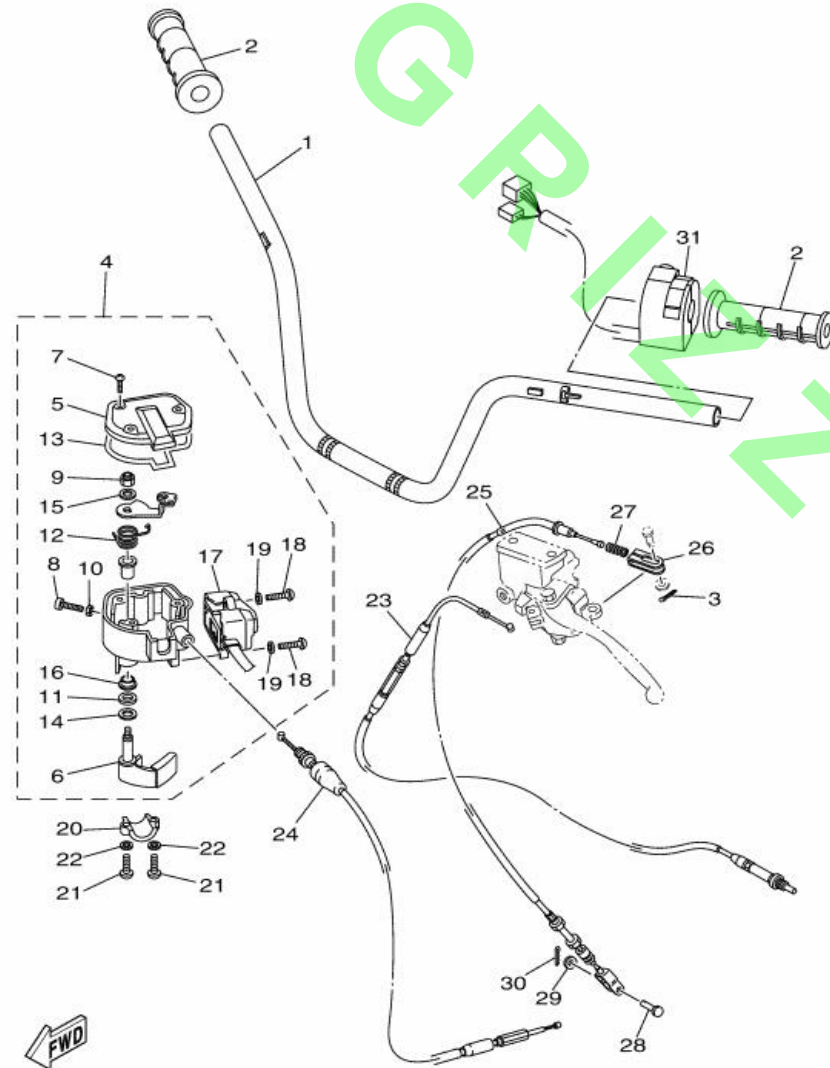
28P1100-H440

Fig. 38 STEERING HANDLE & CABLE



Ref. No.	Part No.	Description		Remarks
	1 1HP-F6111-01	HANDLEBAR	1	
	2 5FU-F6241-10	GRIP	2	
	3 91401-16012	PIN, COTTER	1	
	4 1HP-26250-00	THROTTLE LEVER ASSY	1	
	5 28P-2628F-00	. CAP, GEAR	1	
	6 28P-2625G-00	. LEVER, THROTTLE	1	
	7 90149-04278	. SCREW	3	
	8 98507-05020	. SCREW, PAN HEAD	1	
	9 95602-05100	. NUT, U	1	
	10 95307-05700	. NUT	1	
	11 93104-09025	. OIL SEAL	1	
	12 1NV-26304-00	. SPRING	1	
	13 28P-2628G-00	. GASKET	1	
	14 1NV-26129-00	. WASHER	1	
	15 1NV-26398-00	. WASHER	1	
	16 1NV-2625K-00	. COLLAR	1	
	17 1HP-83976-09	. SWITCH, HANDLE 1	1	
	18 98502-04016	. SCREW, PAN HEAD	2	
	19 92902-04600	. WASHER, PLATE	2	
	20 1S3-82913-00	HOLDER, LEVER LOWER 1	1	
	21 98502-05020	SCREW, PAN HEAD	2	
	22 92902-05600	WASHER, PLATE	2	
	23 3B4-2637F-10	CABLE, CONTROL 2	1	
	24 B16-26311-00	CABLE, THROTTLE 1	1	
	25 3B4-26341-00	WIRE, BRAKE 1	1	
	26 3B4-26347-00	JOINT, CABLE	1	
	27 90501-08665	SPRING, COMPRESSION	1	

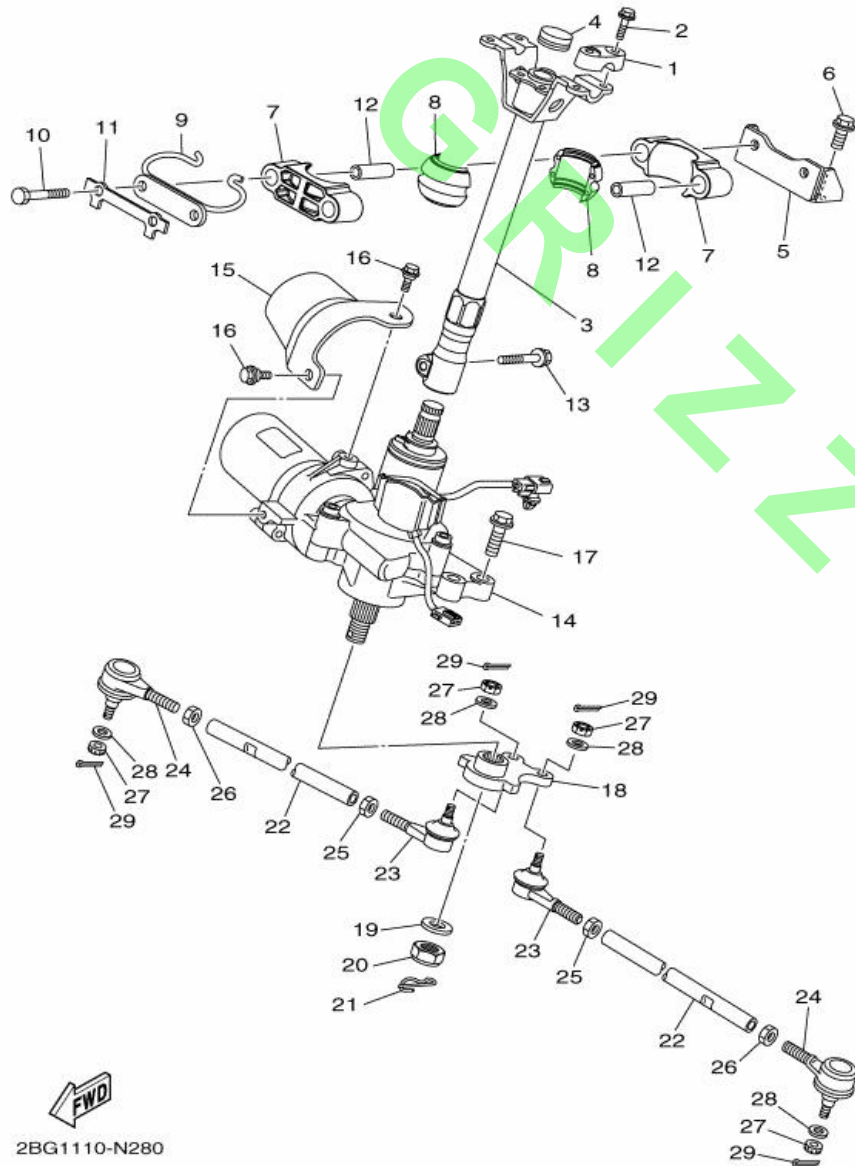
Fig. 38 STEERING HANDLE & CABLE



2UD1110-R380

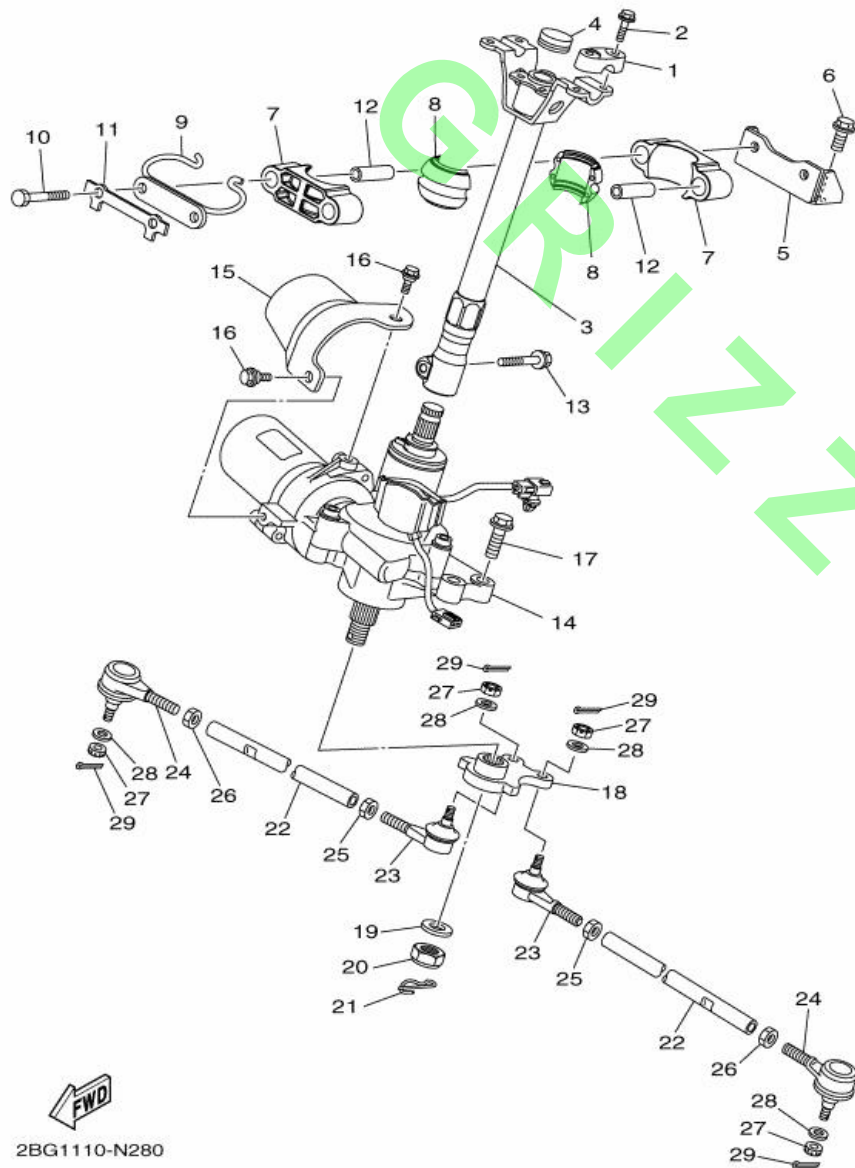
Ref. No.	Part No.	Description		Remarks
	28 90240-06076	PIN, CLEVIS	1	
	29 92907-06200	WASHER	1	
	30 91401-20012	PIN, COTTER	1	
	31 28P-83972-00	SWITCH, HANDLE 4	1	

Fig. 28 STEERING



Ref. No.	Part No.	Description		Remarks
1	8K1-23814-00	HOLDER, HANDLE	2	
2	95812-08030	BOLT, FLANGE	4	
3	1HP-F3813-10	COLUMN, STEERING 2	1	
4	90336-28053	PLUG, TAPER	1	
5	1HP-F2517-10	SUPT., STRG. COLUMN	1	
6	90105-10876	BOLT, FLANGE	2	
7	1CT-F1957-00	BRACKET, STEERING 2	2	
8	1CT-F3812-00	BEARING, STEERING	2	
9	1CT-F3868-00	BRACKET, STEERING LOWER	1	
10	97012-08080	BOLT	2	
11	1CT-F3894-00	WASHER, LOCK 1	1	
12	1CT-F1545-00	COLLAR, 2	2	
13	90109-08843	BOLT	1	
14	3B4-238B0-30	POWER STRG. ACTUATOR ASSY	1	
15	1HP-F38B6-00	COVER, MOTOR	1	
16	90109-06043	BOLT	2	
17	90105-08153	BOLT, FLANGE	4	
18	2SM-F3816-00	ARM, PITMAN	1	
19	90201-16021	WASHER, PLATE	1	
20	95612-16100	NUT, U	1	
21	91402-20025	PIN, COTTER	1	
22	2BG-23831-00	ROD, TIE	2	
23	1UY-23841-01	JOINT, UNIVERSAL 1	2	
24	1UY-23845-01	JOINT, UNIVERSAL 2	2	
25	95302-10700	NUT, HEXAGON	2	
26	90170-10010	NUT	2	(L.H. THREAD)
27	90171-10001	NUT, CASTLE	4	

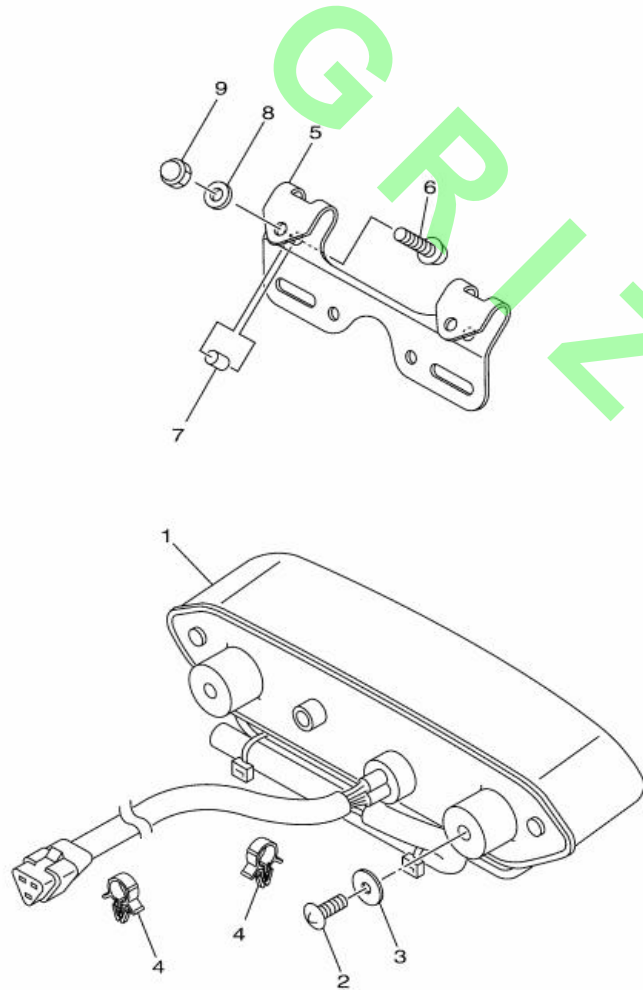
Fig. 28 STEERING



Ref. No.	Part No.	Description		Remarks
	28 90209-10229	WASHER	4	
	29 91401-20020	PIN, COTTER	4	
<hr/>				
<hr/>				
<hr/>				
<hr/>				
<hr/>				
<hr/>				
<hr/>				
<hr/>				

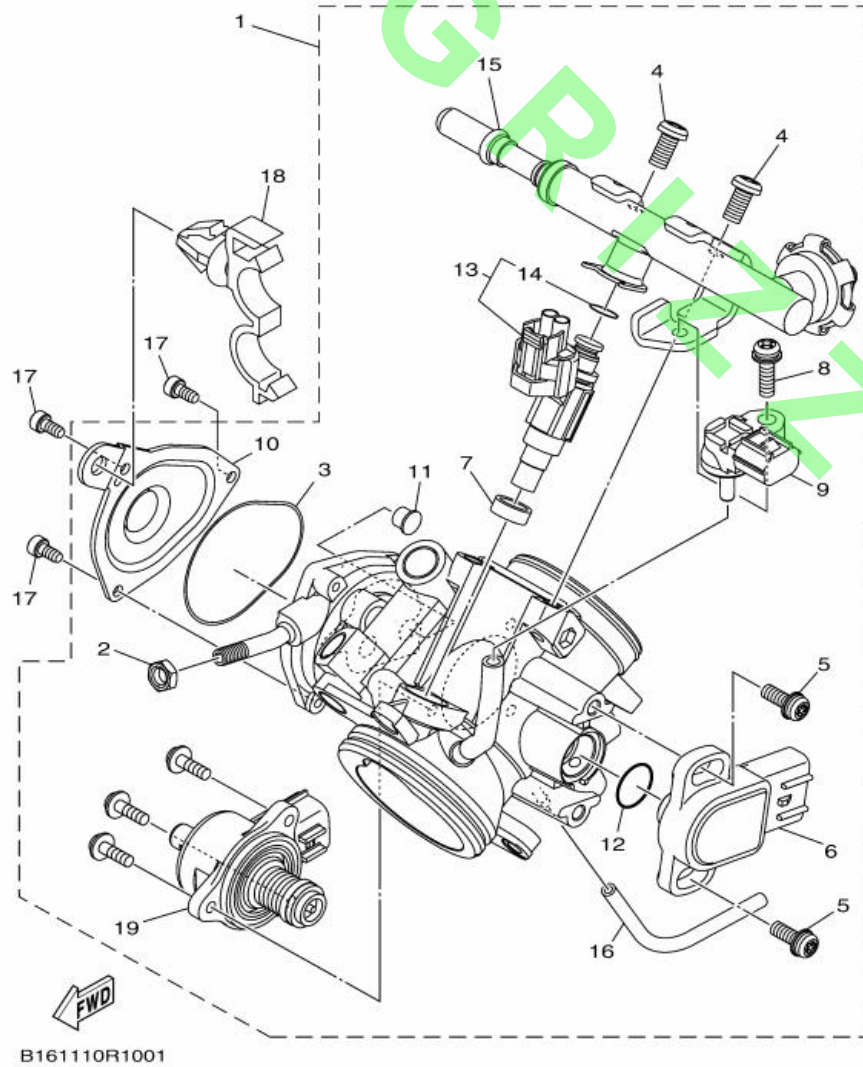
Fig. 47 TAILLIGHT

Ref. No.	Part No.	Description	Remarks
	1 27D-84710-00	TAILLIGHT UNIT ASSY	1
	2 97702-50016	SCREW, TAPPING	2
	3 90201-05025	WASHER, PLATE	2
	4 90464-15157	CLAMP	2
	5 B16-H4751-00	BRACKET, LICENSE	1
	6 92012-06035	BOLT, BUTTON HEAD	2
	7 90387-06045	COLLAR	2
	8 92902-06600	WASHER, PLATE	2
	9 95302-06800	NUT, CROWN	2



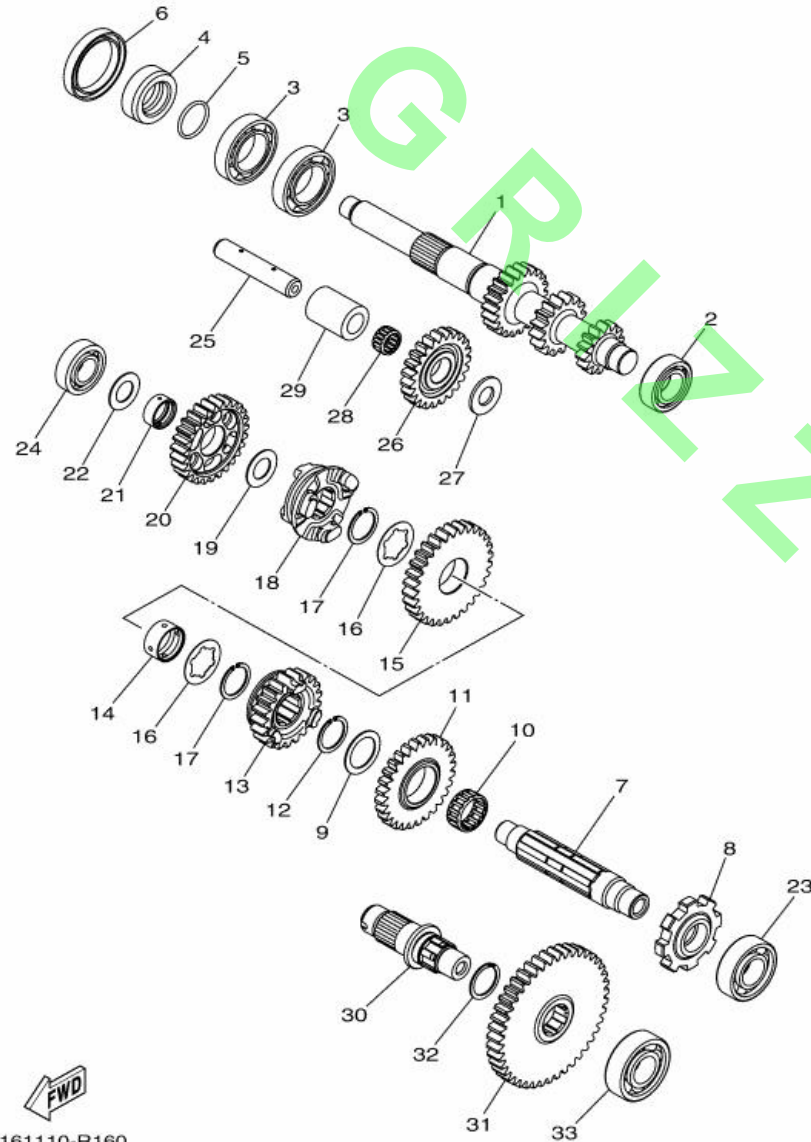
2UD2171-R470

Fig. 10 THROTTLE BODY ASSY 1



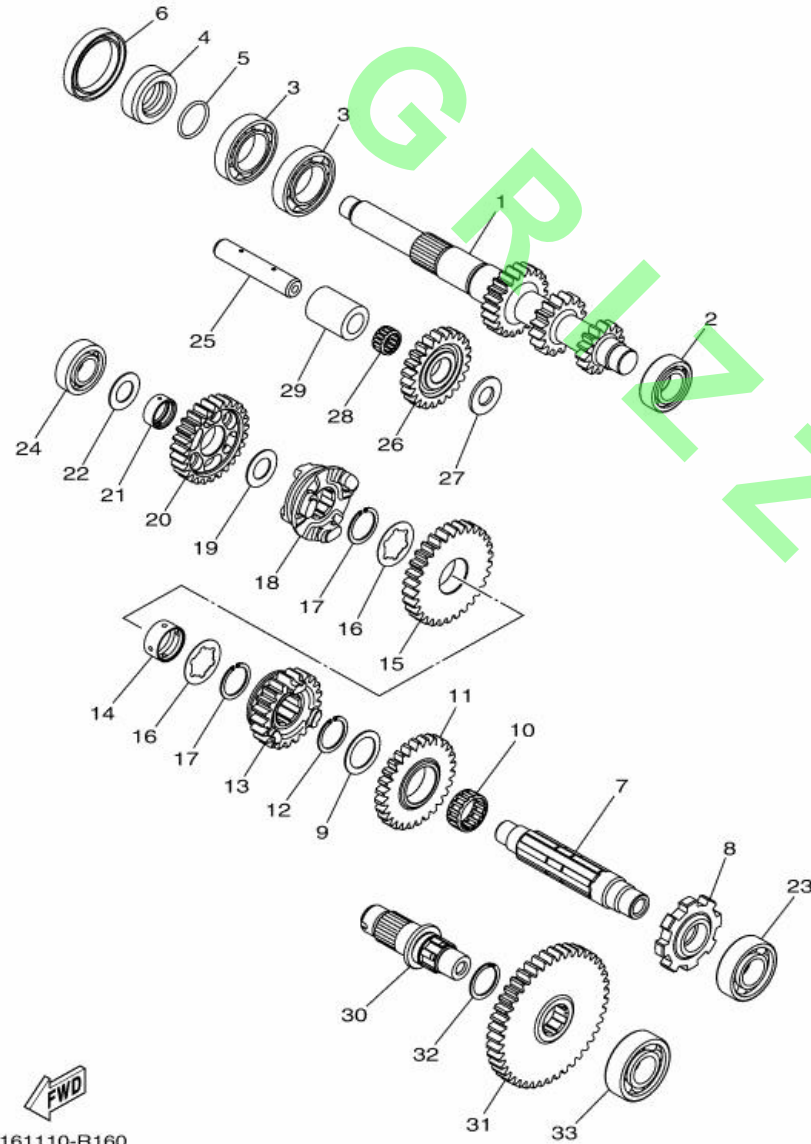
Ref. No.	Part No.	Description		Remarks
1	B16-13750-00	THROTTLE BODY ASSY	1	
2	1S3-14161-00	. NUT, CABLE ADJUSTING	1	
3	5LP-14147-00	. O-RING	1	
4	92502-06012	. SCREW, PAN HEAD	2	
5	8CC-14216-10	. SCREW	2	
6	3B4-85885-00	. THROTTLE SENSOR ASSY	1	
7	8FP-13556-00	. RUBBER, INJECTOR	1	
8	2C0-14216-00	. SCREW	1	
9	5S7-82380-00	. SENSOR, PRESSURE	1	
10	B16-14293-00	. COVER 1	1	
11	1UY-14155-00	. GUIDE, CABLE	1	
12	5YP-14562-00	. O-RING	1	
13	1XD-13761-00	. INJECTOR	1	
14	1XD-14147-00	. O-RING	1	
15	B16-13160-00	. DELIVERY PIPE ASSY 1	1	
16	1XD-13543-00	. HOSE, AIR	1	
17	91312-04008	BOLT	3	
18	90464-20010	CLAMP	1	
19	63P-1312A-01	. VALVE, CONTROL	1	

Fig. 16 TRANSMISSION



Ref. No.	Part No.	Description		Remarks
1	B16-E7681-00	SHAFT, SECONDARY	1	
2	2MB-E7156-00	BEARING 1	1	
3	2MB-E7166-00	BEARING 2	2	
4	2MB-E7158-00	COLLAR 1	1	
5	2MB-E76F5-00	O-RING	1	
6	2MB-E76F3-00	OIL SEAL	1	
7	2MB-E7421-00	AXLE, DRIVE	1	
8	B16-E7473-00	STOPPER	1	
9	2MB-E7116-00	WASHER, GEAR HOLD 1	1	
10	2MB-E1428-00	BEARING 1	1	
11	2MB-E7253-00	GEAR, REVERSE WHEEL 2 (28T)	1	
12	2MB-E662A-00	CIRCLIP	1	
13	2MB-E7582-00	GEAR, MIDDLE DRIVE (21T)	1	
14	2MB-E7258-00	COLLAR 1	1	
15	2MB-E7233-00	GEAR, LOW WHEEL (31T)	1	
16	2MB-E7126-00	WASHER, GEAR HOLD 2	2	
17	2MB-E662A-00	CIRCLIP	2	
18	B16-E7285-00	CLUTCH, DOG	1	
19	2MB-E7136-00	WASHER, GEAR HOLD 3	1	
20	B16-E7223-00	GEAR, HIGH WHEEL (27T)	1	
21	2MB-E7268-00	COLLAR 2	1	
22	2MB-E7154-00	WASHER, GEAR HOLD	1	
23	2MB-E1429-00	BEARING 2	1	
24	2MB-E142A-00	BEARING	1	
25	2MB-E7432-00	AXLE, IDLE	1	
26	2MB-E7243-00	GEAR, REVERSE WHEEL 1 (23T)	1	
27	2MB-E7059-00	WASHER,2	1	

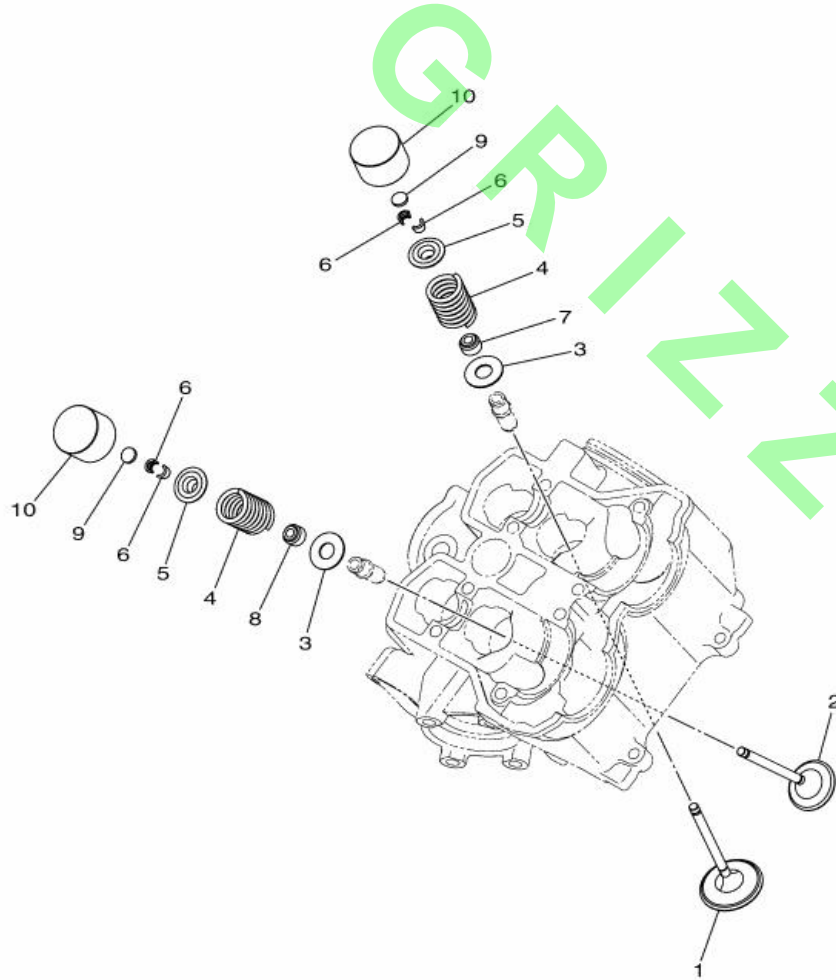
Fig. 16 TRANSMISSION



B161110-R160

Ref. No.	Part No.	Description		Remarks
	28 2MB-E142B-00	BEARING 4	1	
	29 2MB-E7278-00	COLLAR	1	
	30 2MB-E7523-00	SHAFT	1	
	31 2MB-E7583-00	GEAR, MIDDLE DRIVEN (43T)	1	
	32 2MB-E662A-00	CIRCLIP	1	
	33 2MB-E4814-00	BEARING	1	

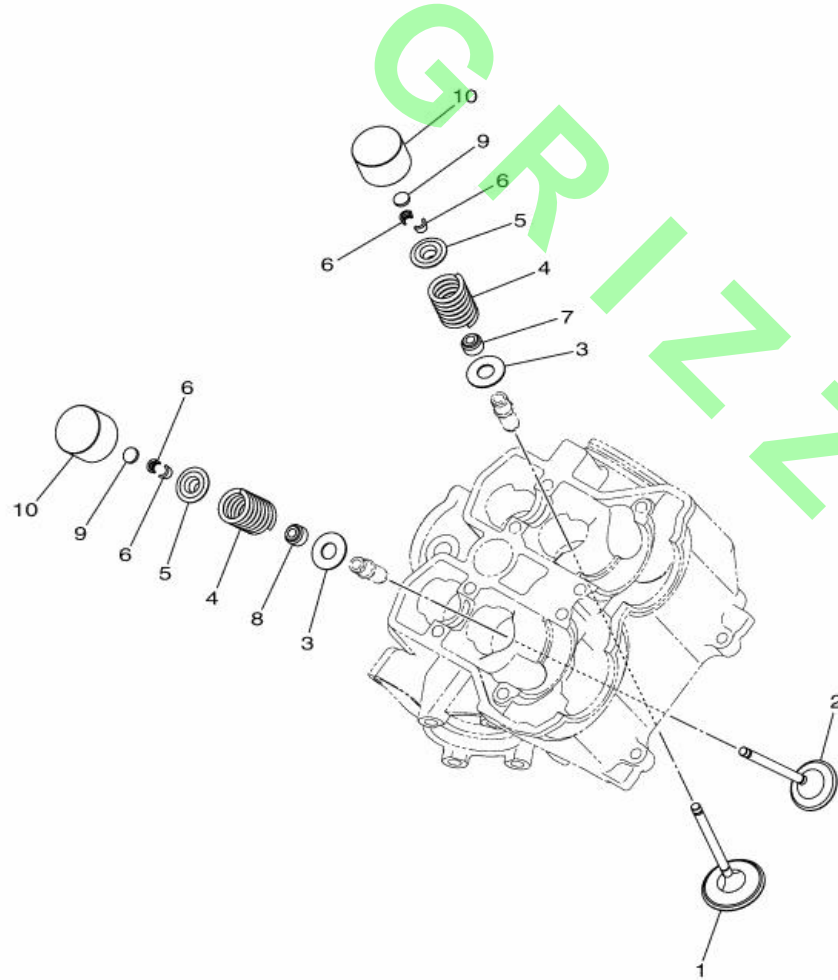
Fig. 04 VALVE



B161110-R040

Ref. No.	Part No.	Description		Remarks
1	2MB-E2111-00	VALVE, INTAKE	2	
2	2MB-E2121-00	VALVE, EXHAUST	2	
3	2MB-E2126-00	SEAT, VALVE SPRING 2	4	
4	2MB-E2113-00	SPRING, VALVE INNER	4	
5	2MB-E2117-00	RETAINER, VALVE SPRING	4	
<hr/>				
6	2MB-E2118-00	LOCK, VALVE SPRING RETAINER	8	
7	2MB-E2119-00	SEAL, VALVE STEM	2	
8	2MB-E2129-00	SEAL, VALVE STEM	2	
9	2MB-E2168-A0	PAD, ADJUSTING (T:1.450)	4	UR
	2MB-E2168-F0	PAD, ADJUSTING (T:1.500)	4	UR
<hr/>				
	2MB-E2168-H0	PAD, ADJUSTING (T:1.550)	4	UR
	2MB-E2168-K0	PAD, ADJUSTING (T:1.600)	4	UR
	2MB-E2168-L0	PAD, ADJUSTING (T:1.625)	4	UR
	2MB-E2168-M0	PAD, ADJUSTING (T:1.650)	4	UR
	2MB-E2168-N0	PAD, ADJUSTING (T:1.675)	4	UR
<hr/>				
	2MB-E2168-R0	PAD, ADJUSTING (T:1.700)	4	UR
	2MB-E2168-T0	PAD, ADJUSTING (T:1.725)	4	UR
	2MB-E2168-U0	PAD, ADJUSTING (T:1.750)	4	UR
	2MB-E2168-V0	PAD, ADJUSTING (T:1.775)	4	UR
	2MB-E2168-W0	PAD, ADJUSTING (T:1.800)	4	UR
<hr/>				
	2MB-E2168-X0	PAD, ADJUSTING (T:1.825)	4	UR
	2MB-E2168-Y0	PAD, ADJUSTING (T:1.850)	4	UR
	2MB-E2169-00	PAD, ADJUSTING (T:1.875)	4	UR
	2MB-E2169-10	PAD, ADJUSTING (T:1.900)	4	UR
	2MB-E2169-20	PAD, ADJUSTING (T:1.925)	4	UR
<hr/>				
	2MB-E2169-30	PAD, ADJUSTING (T:1.950)	4	UR
	2MB-E2169-40	PAD, ADJUSTING (T:1.975)	4	UR

Fig. 04 VALVE

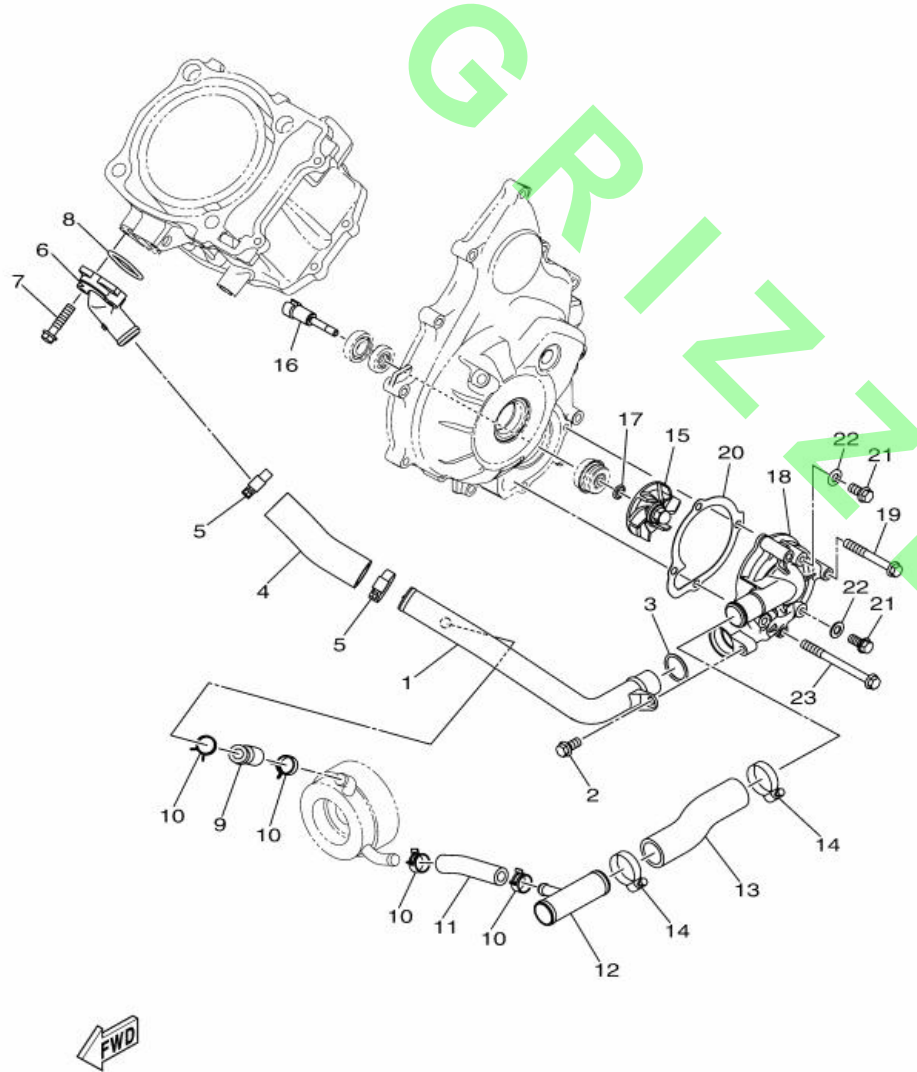


Ref. No.	Part No.	Description		Remarks
	2MB-E2169-50	PAD, ADJUSTING (T:2.000)	4	UR
	2MB-E2169-60	PAD, ADJUSTING (T:2.025)	4	UR
	2MB-E2169-70	PAD, ADJUSTING (T:2.050)	4	UR
	2MB-E2169-80	PAD, ADJUSTING (T:2.075)	4	UR
	2MB-E2169-90	PAD, ADJUSTING (T:2.100)	4	UR
<hr/>				
	2MB-E2169-A0	PAD, ADJUSTING (T:2.125)	4	UR
	2MB-E2169-E0	PAD, ADJUSTING (T:2.150)	4	UR
	2MB-E2169-G0	PAD, ADJUSTING (T:2.200)	4	UR
	2MB-E2169-J0	PAD, ADJUSTING (T:2.250)	4	UR
	2MB-E2169-L0	PAD, ADJUSTING (T:2.300)	4	UR
<hr/>				
10	2MB-E2153-00	LIFTER, VALVE	4	
<hr/>				
<hr/>				
<hr/>				
<hr/>				



B161110-R040

Fig. 06 WATER PUMP



B161110-R060

Ref. No.	Part No.	Description		Remarks
	1 B16-E2481-00	PIPE 1	1	
	2 2MB-E5481-60	BOLT 1	1	
	3 2MB-E2439-00	O-RING	1	
	4 B16-E243F-00	HOSE,3	1	
	5 2MB-E1387-00	CLAMP, HOSE 1	2	
<hr/>				
	6 2MB-E2469-00	JOINT 1	1	
	7 2MB-E5481-20	BOLT 1	2	
	8 2MB-E2843-00	O-RING	1	
	9 B16-E244G-00	HOSE, 4	1	
	10 B16-E2486-00	CLIP	4	
<hr/>				
	11 B16-E243E-00	HOSE 2	1	
	12 B16-E2484-00	PIPE 4	1	
	13 B16-E244J-00	HOSE 6	1	
	14 2MB-E1387-00	CLAMP, HOSE 1	2	
	15 2MB-E2451-00	IMPELLER, WATER PUMP	1	
<hr/>				
	16 2MB-E2458-00	SHAFT, IMPELLER	1	
	17 2MB-E243M-00	SEAL, WATER PUMP	1	
	18 B16-E2422-00	COVER, HOUSING	1	
	19 2MB-E5481-B0	BOLT 1	3	
	20 2MB-E2428-00	GASKET, HOUSING COVER 2	1	
<hr/>				
	21 2MB-E5481-60	BOLT 1	2	
	22 2MB-E2435-00	GASKET	2	
	23 2MB-E5481-70	BOLT 1	1	
<hr/>				